

Collection

MARMO

Article

MR305_2

Description

Exposed parts for manual wall mixer

Built-in to be purchased separately INC300

Box Dimensions

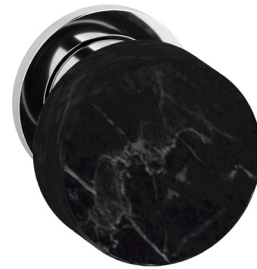
240 x 215 x 110 mm

Weight

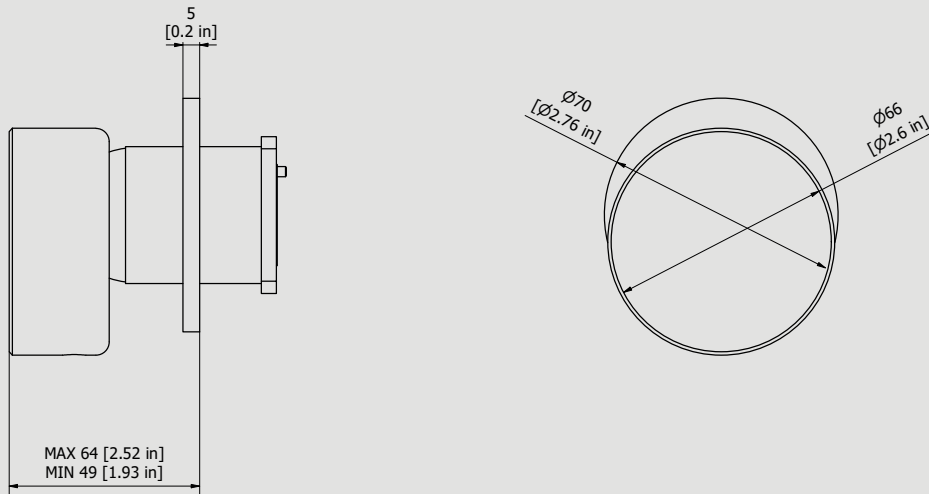
1.6 kg

Finishes

- **CC**
CHROME
- **CF**
BLACK CHROME
- **OO**
GOLD
- **BB**
ANTIQUE BRONZE
- **SS**
BRUSHED NICKEL
- **CS**
BRUSHED BLACK CHROME
- **BO**
MATT WHITE
- **NP**
MATT BLACK
- **IS**
BRUSHED PALE GOLD
- **OS**
BRUSHED GOLD
- **II**
PALE GOLD
- **RR**
ANTIQUE COPPER
- **RS**
ROSE GOLD
- **ON**
NATURAL BRASS
- **SR**
BRUSHED ROSE GOLD
- **PL**
PLATINUM



Dimensions



Cartridge

Ø35 ceramic cartridges

Treaded fitting

-

Aerator

-

Flow Rate (+/-10%)

1 BAR
11.5 l/min

2 BAR
16.3 l/min

3 BAR
20 l/min

Production

Main body is a machined from a solid pieces

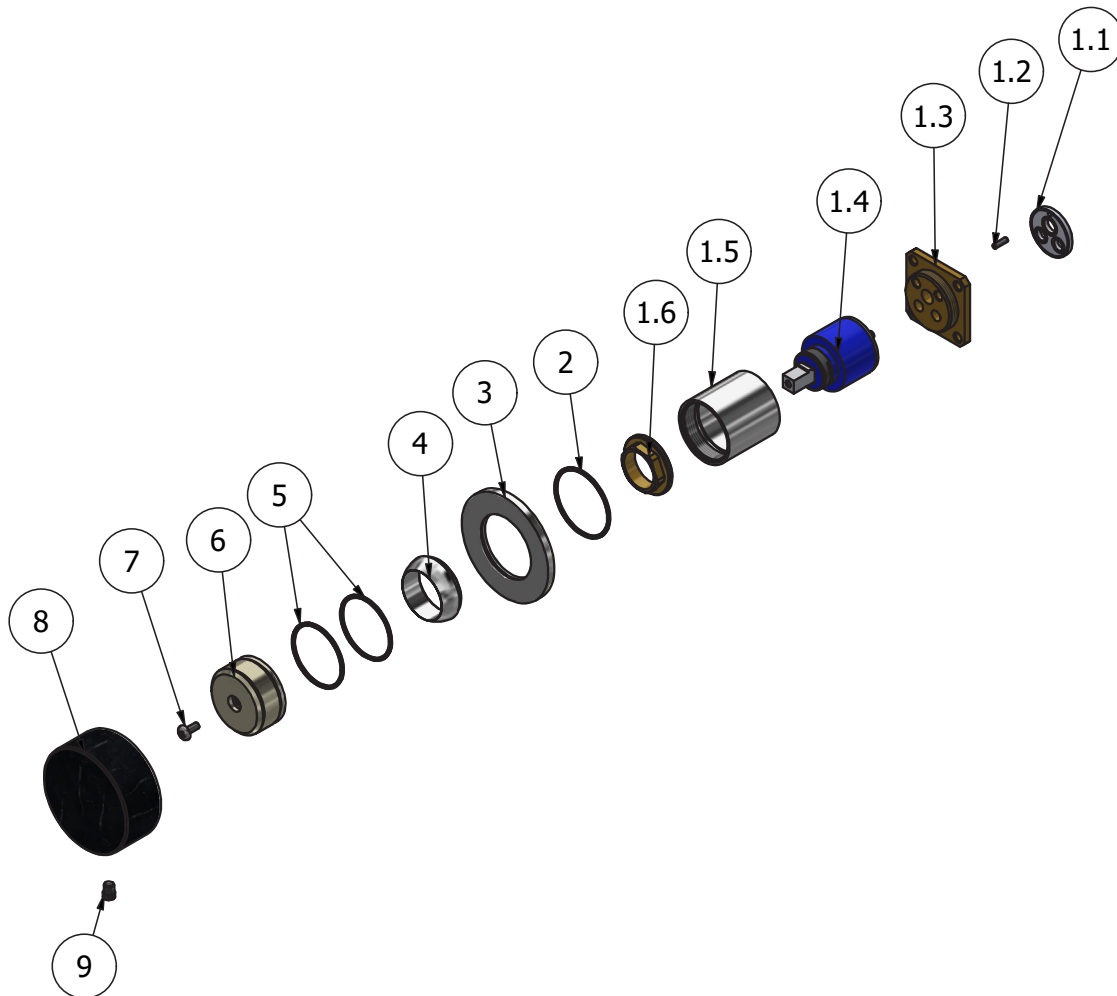
Material

BRASS
According to CuZn39Pb3 (CW614N)
Max Lead content: 2.5%



WE ARE **IB**

Parts list				
ITEMS	CODE	DESCRIPTION	FIN	QTÀ
1	CPIN206CC-19	Mixer 47x47 x recessed	-	1
1.1	AQ0015684	Gasket Ø31 H3.5 Ø7 Ø7.5	-	1
1.2	AQ0015357	Grubscrew M3x10 flat point	-	1
1.3	AS0013040	Insert 47x47 H11 M37x1.5	G	1
1.4	AQ0004095	Ceramic cartridge Ø35 9x9 (K35A)	-	1
1.5	AC0010445	Recessed ring Ø41 M37x1.5 H40.7	F	1
1.6	AQ0001040	Cartridge ring nut M37x1.5 H9	G	1
2	AQ0001440	OR 41x1.78 NBR 70 SH	-	1
3	AC0018063	Rosette Ø70 Ø41.5 H5	F	1
4	AQ0003630	Cartridge ring nut cover M37x1.5	F	1
5	AQ0006415	OR 37.82x1.78 NBR 70 SH	-	2
6	AN0012490	Handle Ø41.9 H20.5	N	1
7	AQ0002160	Screw M4x10	-	1
8	AQ0014921	Marble handle cover Ø68 H30	-	1
9	AQ0015558	Screw Ø7.1 M6 H9 dark gray	-	1





WE ARE IB

WARRANTY

All IB Rubinetterie SpA products are warranted for 10 years from the date of purchase, for the following cases:

- Defects of casting, porosity and chrome plating.
- Operating defects caused by incorrect fabrication.

The warranty provides for repair or replacement of products with fabrication defects recognized by our technical office. There is no other type of compensation anche the merchandise must be returned FOB our warehouse. The warranty only cover surface defects (scartches, dings, etc.) on fitting that have not been installed and used, returned in its original packaging with all components. O-ring, gasket seals and components subject to wear proportional to use are warranted for 2 years.

The warranty is void in the following cases:

Error installing and putting the product into service.

Deterioration of finished surfaces due to use of cleaning products containing acids or abrasive substances.

Deterioration of surface with finishes other than chrome plating. Their durability is, in fact, dependent on the user's care and gentleness of use.

Deterioration of the fitting due incorrect installation.

Improper repairs and maintenance performed without the company's prior authorization.

The warranty from IB Rubinetterie SpA is not renewable.

Cleaning

We recommanded cleaning the finish surfaces with water and soap, using a soft cloth.

Do not use detergents that cointain hydrochloric acid or abrasive substances.