



WE ARE IB

Collection

## SHOWER COLUMNS

Article

### MT127

Description

**Mixer shower column with round showerhead and hand shower.**

Box Dimensions

1500x535x120 mm

Weight

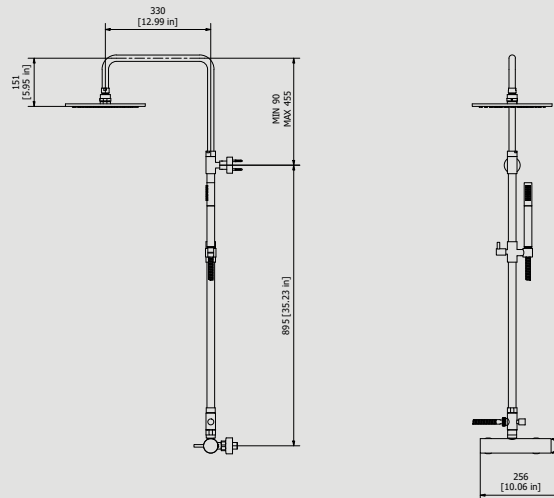
10.3 kg

Finishes

- **CC**  
CHROME
- **CF**  
BLACK CHROME
- **OO**  
GOLD
- **BB**  
ANTIQUÉ BRONZE
- **SS**  
BRUSHED NICKEL
- **CS**  
BRUSHED BLACK CHROME
- **BO**  
MATT WHITE
- **NP**  
MATT BLACK
- **IS**  
BRUSHED PALE GOLD
- **OS**  
BRUSHED GOLD
- **II**  
PALE GOLD
- **RR**  
ANTIQUÉ COPPER
- **RS**  
ROSE GOLD
- **ON**  
NATURAL BRASS
- **SR**  
BRUSHED ROSE GOLD
- **PL**  
PLATINUM
- **MB**  
MODERN BRONZE



Dimensions



Cartridge

**Ceramic cartridge Ø35**

Threaded fitting

**G1/2" male**

Aerator

-

Flow Rate (+/-10%)

**1 BAR  
10 l/min**

**2 BAR  
15 l/min**

**3 BAR  
19 l/min**

Production

**Main body is a single casted pieces**

Material

**BRASS**  
According to CuZn35Pb2Al-B (CB752S)  
Max Lead content: 1.36%

IB RUBINETTERIE s.p.a  
via dei Pianotti 3/5  
25068 Sarezzo (BS) - Italy -

T. +39 030 802101  
F. +39 030 803097  
info@weareib.it

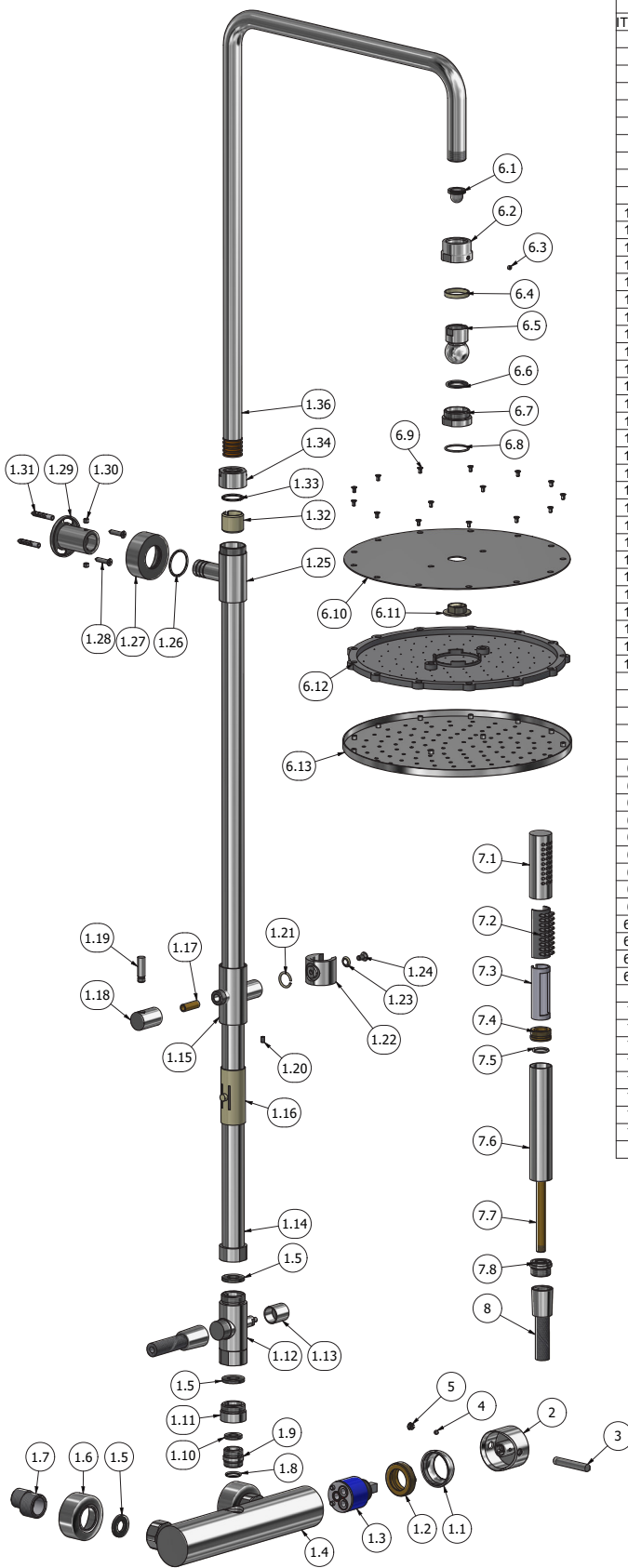
P.IVA 01785230986  
capitale sociale  
€420.000,00 i.v.

www.weareib.it





WE ARE IB



Parts list			
ITEMS	CODE	DESCRIPTION	FIN QTA
1	AQ0016884	Preassembled shower column	- 1
1.1	AQ0016884 1	Cover Ø41 H14	F 1
1.2	AQ0016884 2	Nut M37x1.5 H 12.5	G 1
1.3	AQ0016884 3	Ceramic cartridge Ø35 9x9 (K35A)	- 1
1.4	AQ0016884 4	Body Ø45.5 H222	F 1
1.5	AQ0016884 5	Gasket 24.5x3x3	- 4
1.6	AQ0016884 6	Rosette Ø60 H22	F 2
1.7	AQ0016884 7	Eccentric G3/4" G1/2"	- 2
1.8	AQ0016884 8	OR Ø13 X Ø2.2	- 1
1.9	AQ0016884 9	Connection G1/2" H19 Ø22	F 1
1.10	AQ0016884 10	Gasket 19x10x3	- 1
1.11	AQ0016884 11	Reduction G1/2" F G3/4" M H18	F 1
1.12	AQ0016884 12	Diverter	F 1
1.13	AQ0016884 13	Knob for diverter Ø19 H20	F 1
1.14	AQ0016884 14	Pipe Ø24	F 1
1.15	AQ0016884 15	Body support	F 1
1.16	AQ0016884 16	clutch sheath	- 1
1.17	AQ0016884 17	Pin	- 1
1.18	AQ0016884 18	Handle Ø20 H29.5	F 1
1.19	AQ0016884 19	Lever Ø8 H25	F 1
1.20	AQ0016884 20	Grubscrew M4x6 p.p.	- 1
1.21	AQ0016884 21	Friction ring	- 1
1.22	AQ0016884 22	Support Ø33 H27	F 1
1.23	AQ0016884 23	Friction washer	- 1
1.24	AQ0016884 24	Screw M5x12 TSPEI ISO 10642	- 1
1.25	AQ0016884 25	Support body	F 1
1.26	AQ0016884 26	OR Ø26xØ2	- 1
1.27	AQ0016884 27	Rosette	F 1
1.28	AQ0016884 28	Self-tapping screw	- 2
1.29	AQ0016884 29	wall support	F 1
1.30	AQ0016884 30	Grubscrew M5x4 p.p.	- 2
1.31	AQ0016884 31	Fischer Ø5	- 2
1.32	AQ0016884 32	Fiction ring	- 1
1.33	AQ0016884 33	OR Ø20xØ2	- 1
1.34	AQ0016884 34	Ring nut	F 1
1.35	AQ0016884 35	OR Ø13.95xØ2.62	- 3
1.36	AQ0016884 36	Pipe Ø20 G1/2 M.	F 1
2	AC0009805	Handle Ø45 H29	F 1
3	AC0014230	Rod Ø8 H47 M8x1.25	F 1
4	AQ0001082	Grubscrew M4x4 cone point	- 1
5	AQ0006650	Plug cover Ø7	F 1
6	AQ0010701	Shower head Ø250	F 1
6.1	AQ0010701 1	Gasket Ø19 th.3 with filter	- 1
6.2	AQ0010701 2	Ring nut Ø34 H20	F 1
6.3	AQ0010701 3	Grub screw inox M4x3 p.p.	- 1
6.4	AQ0010701 4	Ring	- 1
6.5	AQ0010701 5	Sphere Ø26 G "1 / 2F	F 1
6.6	AQ0010701 6	OR 18x3 NBR 70 SH	- 1
6.7	AQ0010701 7	Threaded insert Ø32 H15	F 1
6.8	AQ0010701 8	OR 24x1.5 NBR 70 SH	- 1
6.9	AQ0010701 9	Screw inox M3x6 TSP UNI 7991	- 15
6.10	AQ0010701 10	Plate Ø247.5 th.1	F 1
6.11	AQ0010701 11	Injector insert Ø30	N 1
6.12	AQ0010701 12	Diffuser	- 1
6.13	AQ0010701 13	Diffuser flange Ø250	F 1
7	AQ0013557	OnAir hand shower	F 1
7.1	AQ0013557 1	Head Ø24 L.72	F 1
7.2	AQ0013557 2	Diffuser	- 1
7.3	AQ0013557 3	Diffuser press insert	- 1
7.4	AQ0013557 4	Insert M22x1 M M10x1 F	- 1
7.5	AQ0013557 5	OR Ø14 x Ø2	- 1
7.6	AQ0013557 6	Pipe Ø24 L.128	F 1
7.7	AQ0013557 7	M10x1M L.131.5	- 1
7.8	AQ0013557 8	Insert Ø24 G1/2" M M10x1F	F 1
8	AQ0018056	Flex snapon G1/2" F L150cm Silver	F 1



WE ARE IB

### **WARRANTY**

All IB Rubinetterie SpA products are warranted for 10 years from the date of purchase, for the following cases:

- Defects of casting, porosity and chrome plating.
- Operating defects caused by incorrect fabrication.

The warranty provides for repair or replacement of products with fabrication defects recognized by our technical office. There is no other type of compensation anche the merchandise must be returned FOB our warehouse. The warranty only cover surface defects (scartches, dings, etc.) on fitting that have not been installed and used, returned in its original packaging with all components. O-ring, gasket seals and components subject to wear proportional to use are warranted for 2 years.

#### **The warranty is void in the following cases:**

Error installing and putting the product into service.

Deterioration of finished surfaces due to use of cleaning products containing acids or abrasive substances.

Deterioration of surface with finishes other than chrome plating. Their durability is, in fact, dependent on the user's care and gentleness of use.

Deterioration of the fitting due incorrect installation.

Improper repairs and maintenance performed without the company's prior authorization.

The warranty from IB Rubinetterie SpA is not renewable.

#### **Cleaning**

We recommanded cleaning the finish surfaces with water and soap, using a soft cloth.

Do not use detergents that cointain hydrochloric acid or abrasive substances.