



WE ARE IB

Collection

MILANO TORINO

Article

MT299_19

Description

Monohole free-standing washbasin

Built-in body to be purchased separately INC399

Box Dimensions

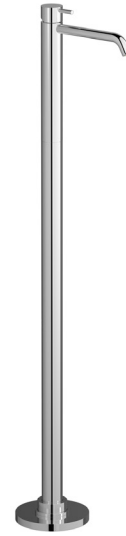
1160x360x180 mm

Weight

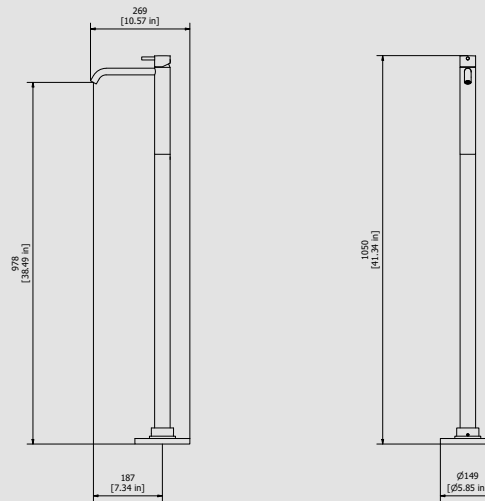
13.8 kg

Finishes

- **CC**
CHROME
- **PL**
PLATINUM
- **SS**
BRUSHED
NICKEL
- **ON**
NATURAL
BRASS
- **BO**
MATT
WHITE
- **NP**
MATT
BLACK
- **CF**
BLACK
CHROME
- **CS**
BRUSHED
BLACK
CHROME
- **II**
PALE
GOLD
- **IS**
BRUSHED
PALE GOLD
- **RS**
ROSE
GOLD
- **SR**
BRUSHED
ROSE GOLD
- **OO**
GOLD
- **OS**
BRUSHED
GOLD
- **RR**
ANTIQUÉ
COPPER
- **MB**
MODERN
BRONZE



Dimensions



Cartridge

Ø35 ceramic cartridge

Hoses

Aerator

M16.5x1

Flow Rate (+/-10%)

1 BAR
5.5 l/m

2 BAR
7.8 l/m

3 BAR
9.6 l/m

Production

Main body is a machined from a solid pieces

Material

BRASS
According to CuZn39PB3 (CW614N)
Max Lead content: 2.5%

IB RUBINETTERIE s.p.a
via dei Pianotti 3/5
25068 Sarezzo (BS) - Italy -

T. +39 030 802101
F. +39 030 803097
info@weareib.it

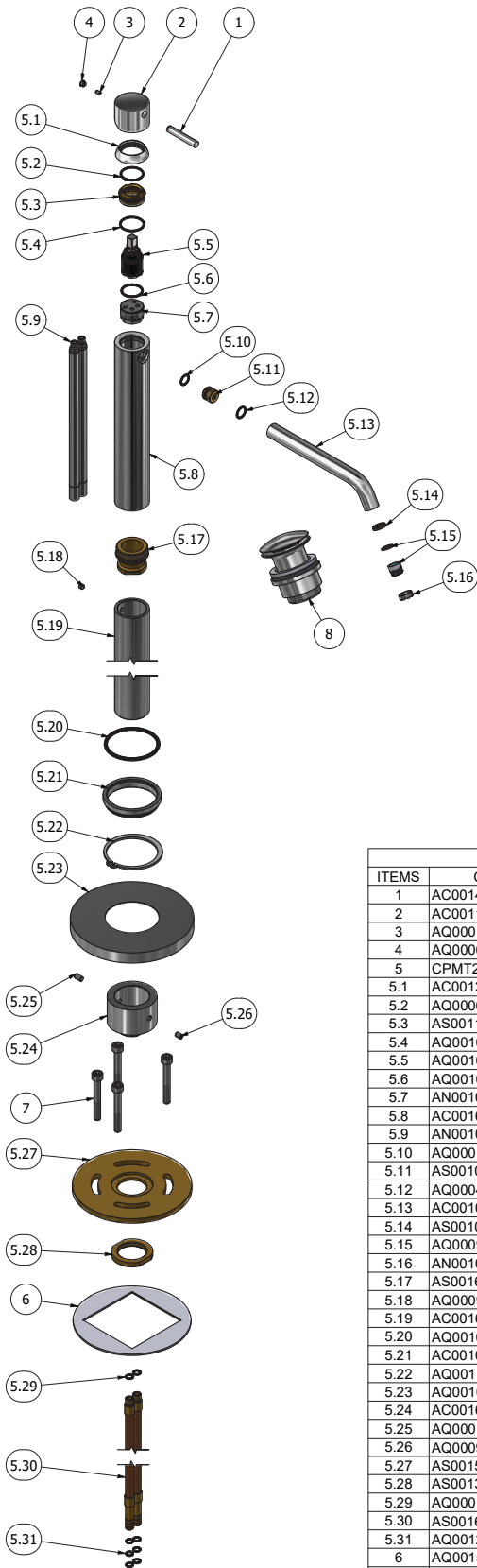
P.IVA 01785230986
capitale sociale
€420.000,00 i.v.

www.weareib.it





WE ARE IB



Parts list				
ITEMS	CODE	DESCRIPTION	FIN	QTA
1	AC0014230	Rod Ø8 H47 M8x1.25	F	1
2	AC0011351-TI	Handle Ø42 H30	F	1
3	AQ0001081	Grubscrew M4x6 flat point	-	1
4	AQ0006650	Plug cover Ø7	F	1
5	CPMT299CC-19	Preassembled free-standing wash basin mixer	-	1
5.1	AC0012842	Cartridge fixing nut chromed cover	F	1
5.2	AQ0006586	OR 25.12x1.78 NBR 70 SH	-	1
5.3	AS0011353	Cartridge fixing nut M30x1 H14.35	G	1
5.4	AQ0010564	OR 26.7x1.78 NBR 70 SH	-	1
5.5	AQ0016764	Cartridge Ø25 open 9x9 (KH25OPS A4US)	-	1
5.6	AQ0010972	OR 23x2 NBR 70 SH	-	1
5.7	AN0010810	Connection piece Ø27X18	N	1
5.8	AC0016623	Tall mixing body Ø42 H235 CW511L	F	1
5.9	AN0010899	Extension pipe M8x1 M10x1 H230	N	2
5.10	AQ0001350	OR 11.11x1.78 NBR 70 SH	-	1
5.11	AS0010783	Spout connection M16x1 M10x0.75 H15	G	1
5.12	AQ0004610	OR 12.42x1.78 NBR 70 SH	-	1
5.13	AC0010910	Sink dispenser Ø18 L170	F	1
5.14	AS0010829	Aerator stopper M16.5x1 H4	G	1
5.15	AQ0009836	Perlator honeycomb with rubber (44.3030.0)	-	1
5.16	AN0010830	Aerator cage M16.5x1 H6	N	1
5.17	AS0016044	Insert M38x1.5 H31.3	G	1
5.18	AQ0009549	Grubscrew M6x6 cone point	-	1
5.19	AC0016040	Pipe Ø42 H775	F	1
5.20	AQ0010874	OR 59.92x3.53 NBR 70 SH	-	1
5.21	AC0010907	Ring for carter Ø70 H12	F	1
5.22	AQ0011023	Seeger ring A65 DIN471	-	1
5.23	AQ0010873	Chromed cover Ø146,6 H.15	F	1
5.24	AC0016047	Insert for pipe Ø60 M37x1 H37	F	1
5.25	AQ0001091	Grubscrew M6x10 flat point	-	1
5.26	AQ0009151	Grubscrew M6x8 flat point	-	1
5.27	AS0015991	Flange Ø144 Ø36.2 H6.5	G	1
5.28	AS0013152	Nut Ø50 M36X1F H6 CH.46	G	1
5.29	AQ0001330	OR 6.75x1.78 NBR 70 SH	-	2
5.30	AS0016038	Pipe M10x1 L800	G	2
5.31	AQ0012025	OR 6.35x1.78 NBR 70 SH	-	6
6	AQ0015889	Rubber packing double-sided Ø142 H2	-	1
7	AQ0016200	Inox screw TCEI M8x60 DIN912	-	4
8	AQ0009837	Simple rapid waste 1"1/4	F	1



WE ARE IB

WARRANTY

All IB Rubinetterie SpA products are warranted for 10 years from the date of purchase, for the following cases:

- Defects of casting, porosity and chrome plating.
- Operating defects caused by incorrect fabrication.

The warranty provides for repair or replacement of products with fabrication defects recognized by our technical office. There is no other type of compensation anche the merchandise must be returned FOB our warehouse. The warranty only cover surface defects (scartches, dings, etc.) on fitting that have not been installed and used, returned in its original packaging with all components. O-ring, gasket seals and components subject to wear proportional to use are warranted for 2 years.

The warranty is void in the following cases:

Error installing and putting the product into service.

Deterioration of finisched surfaces due to use of cleaning products containing acids or abrasive substances.

Deterioration of surface with finishes other than chrome plating. Their durability is, in fact, dependent on the user's care and gentleness of use.

Deterioration of the fitting due incorrect installation.

Improper repairs and maintenance performed without the company's prior authorization.

The warranty from IB Rubinetterie SpA is not renewable.

Cleaning

We recommended cleaning the finish surfaces with water and soap, using a soft cloth.

Do not use detergents that cointain hydrochloric acid or abrasive substances.