



WE ARE IB

Collection

MILANO TORINO

Article

MT399

Description

Free-standing bath filler

Built-in body to be purchased separately INC399

Box Dimensions

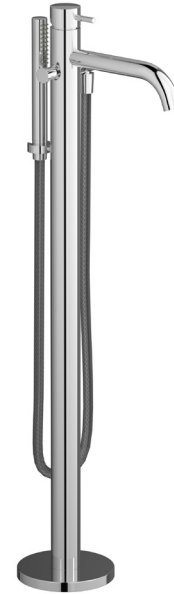
1100x395x150 mm

Weight

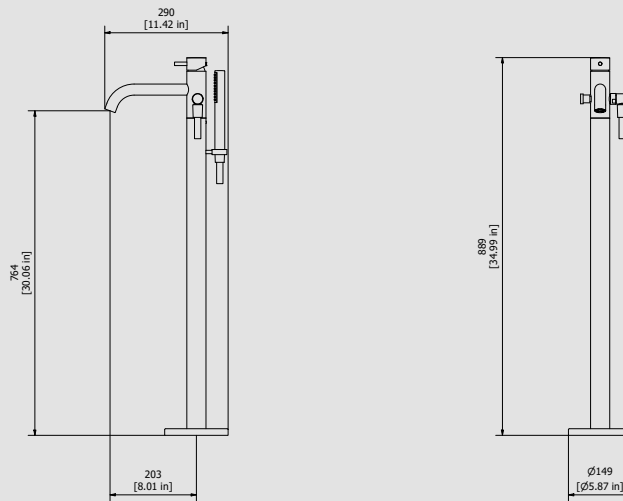
15.6 kg

Finishes

- **CC**
CHROME
- **PL**
PLATINUM
- **SS**
BRUSHED
NICKEL
- **ON**
NATURAL
BRASS
- **BO**
MATT
WHITE
- **NP**
MATT
BLACK
- **CF**
BLACK
CHROME
- **CS**
BRUSHED
BLACK
CHROME
- **II**
PALE
GOLD
- **IS**
BRUSHED
PALE GOLD
- **RS**
ROSE
GOLD
- **SR**
BRUSHED
ROSE GOLD
- **OO**
GOLD
- **OS**
BRUSHED
GOLD
- **RR**
ANTIQUÉ
COPPER
- **MB**
MODERN
BRONZE



Dimensions



Cartridge

Ø35 ceramic cartridge

Hoses

flex G1/2" female 150cm

Aerator

M24x1

Flow Rate (+/-10%)

1 BAR	2 BAR	3 BAR
11.2 l/m	16 l/m	19.5 l/m

Production

Main body is a machined from a solid pieces

Material

BRASS
According to CuZn39PB3 (CW614N)
Max Lead content: 2.5%

IB RUBINETTERIE s.p.a
via dei Pianotti 3/5
25068 Sarezzo (BS) - Italy -

T. +39 030 802101
F. +39 030 803097
info@weareib.it

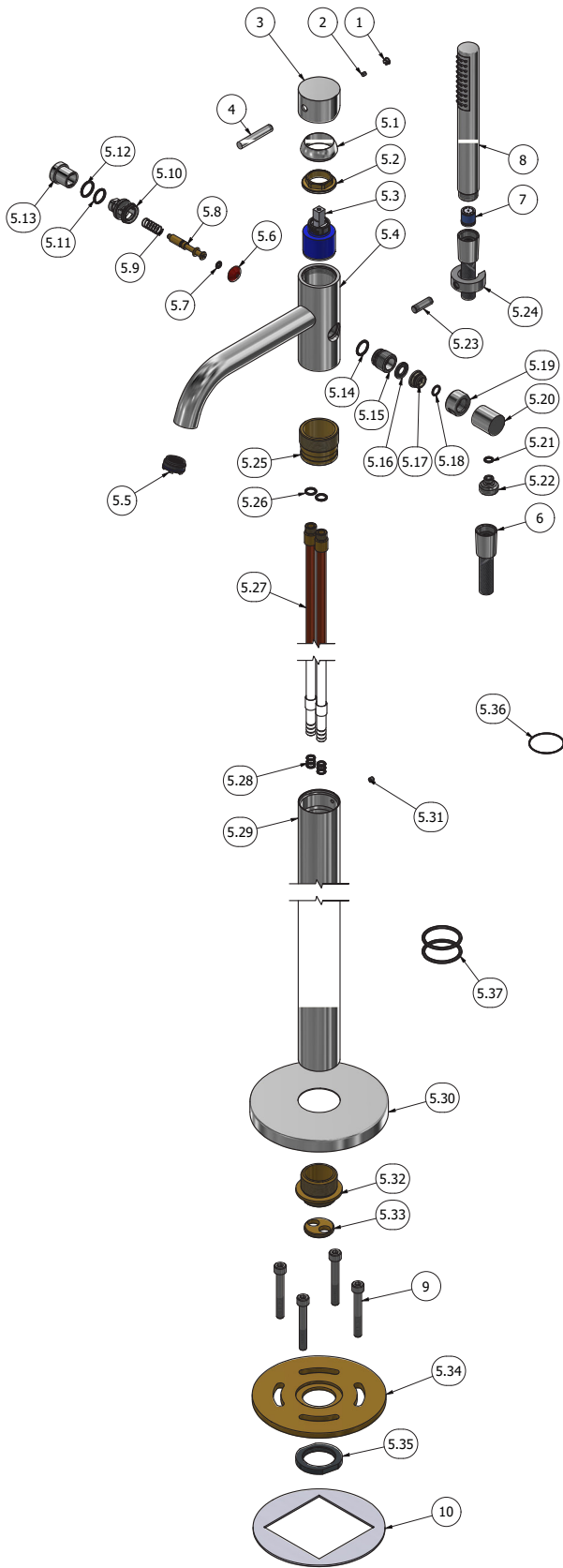
P.IVA 01785230986
capitale sociale
€420.000,00 i.v.

www.weareib.it





WE ARE IB



Parts list			
ITEMS	CODE	DESCRIPTION	FIN QTA
1	AQ0006650	Plug cover Ø7	F 1
2	AQ0001080	Grubscrew M4x4 flat point	- 1
3	AC0009805-TI	Handle Ø45 H29	F 1
4	AC0014230	Rod Ø8 H47 M8x1.25	F 1
5	CPID399CC-21	Preassembled free-standing bath filler mixer	- 1
5.1	AQ0003630	Cartridge ring nut cover M37x1.5	F 1
5.2	AQ0001040	Cartridge ring nut M37x1.5 H9	G 1
5.3	AQ0014816	Ceramic cartridge Ø35 (KN-35A)	- 1
5.4	AC0012325	Mixer body Ø45 H110 Ø26	F 1
5.5	AQ0010587	Perlator cahcè M24x1 antispash (40.9300.010)	- 1
5.6	AQ0000340	Biconic packaging NBR 60SH 18 x 9,6	- 1
5.7	AQ0001410	OR 4.2x1.9 NBR 70 SH	- 1
5.8	AS0012435	Rod for diverter	G 1
5.9	AQ0001300	Spring F 0,6 D.E. 9,8 Sp.	- 1
5.10	AC0012436	Diverter body	F 1
5.11	AQ0009818	OR 14x1.78 NBR 70 SH	- 1
5.12	AQ0004600	OR 15.6x1.78 NBR 70 SH	- 1
5.13	AC0010455	Diverter knob Ø23 x 18,5 H.22,6	F 1
5.14	AQ0001390	OR 14x2 NBR 70 SH	- 1
5.15	AC0011892	Shower connection piece G1/2" M19x1 H19	F 1
5.16	AQ0003080	Rubber G1/2"	- 1
5.17	AN0009332	Insert M15x1 H10	N 1
5.18	AQ0010077	OR 9x1.5 NBR 70 SH	- 1
5.19	AC0010193	Nut for shower's seat	F 1
5.20	AC0012349	L elbow Ø24 M15x1 M10x1 L26	F 1
5.21	AQ0001330	OR 6.75x1.78 NBR 70 SH	- 1
5.22	AC0012348	Connection M10x1 G1/2" L17	F 1
5.23	AC0016212	Rod M8x1 H25	F 1
5.24	AC0010597	Shower support	F 1
5.25	AS0012699	Insert M42x1.5 Ø40 L35	G 1
5.26	AQ0004180	OR 9.25x1.78 NBR 70 SH	- 2
5.27	AS0012688	Pipe M12x1 L817	- 2
5.28	AQ0012025	OR 6.35x1.78 NBR 70 SH	- 6
5.29	AC0015993	Pipe Ø45 L740 M39x1.5 F	F 1
5.30	AQ0015156	Round carter Ø149 Ø45.5 H15.5	F 1
5.31	AQ0009541	Grubscrew M5x4 flat point	- 1
5.32	AS0016991	Insert Ø50 M36x1 M M39x1.5 M H33	G 1
5.33	AS0016997	Pipe guide M32x1 H5	G 1
5.34	AS0015991	Flange Ø144 Ø36.2 H6.5	G 1
5.35	AS0013152	Nut Ø50 M36X1F H6 CH.46	G 1
5.36	AQ0014055	OR 36x1 NBR 70 SH	- 1
5.37	AQ0009533	OR 37x3 NBR 70 SH	- 2
6	AQ0018056	Flex snapon G1/2" F L150cm Silver	F 1
7	AQ0006576	No return valve Ø15 (31.4015.00001)	- 1
8	AQ0012085	Hand shower stilio Ø23 H196	F 1
9	AQ0016200	Inox screw TCEI M8x60 DIN912	- 4
10	AQ0015889	Rubber packing double-sided Ø142 H2	- 1



WE ARE IB

WARRANTY

All IB Rubinetterie SpA products are warranted for 10 years from the date of purchase, for the following cases:

- Defects of casting, porosity and chrome plating.
- Operating defects caused by incorrect fabrication.

The warranty provides for repair or replacement of products with fabrication defects recognized by our technical office. There is no other type of compensation anche the merchandise must be returned FOB our warehouse. The warranty only cover surface defects (scartches, dings, etc.) on fitting that have not been installed and used, returned in its original packaging with all components. O-ring, gasket seals and components subject to wear proportional to use are warranted for 2 years.

The warranty is void in the following cases:

Error installing and putting the product into service.

Deterioration of finisched surfaces due to use of cleaning products containing acids or abrasive substances.

Deterioration of surface with finishes other than chrome plating. Their durability is, in fact, dependent on the user's care and gentleness of use.

Deterioration of the fitting due incorrect installation.

Improper repairs and maintenance performed without the company's prior authorization.

The warranty from IB Rubinetterie SpA is not renewable.

Cleaning

We recommended cleaning the finish surfaces with water and soap, using a soft cloth.

Do not use detergents that cointain hydrochloric acid or abrasive substances.