



WE ARE IB

Collection

## SOHO WOOD

Article

### OL370

Description

**Mono hole washbasin.**

Box Dimensions

**455x310x75 mm**

Weight

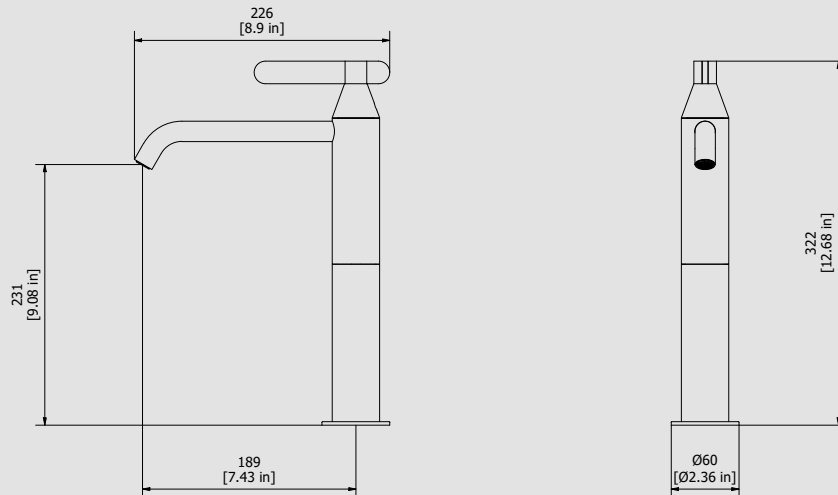
**2.6 kg**

Finishes

- CC**  
CHROME
- PL**  
PLATINUM
- SS**  
BRUSHED  
NICKEL
- ON**  
NATURAL  
BRASS
- BO**  
MATT  
WHITE
- NP**  
MATT  
BLACK
- CF**  
BLACK  
CHROME
- CS**  
BRUSHED  
BLACK  
CHROME
- II**  
PALE  
GOLD
- IS**  
BRUSHED  
PALE GOLD
- RS**  
ROSE  
GOLD
- SR**  
BRUSHED  
ROSE GOLD
- OO**  
GOLD
- OS**  
BRUSHED  
GOLD
- RR**  
ANTIQUÉ  
COPPER
- MB**  
MODERN  
BRONZE



Dimensions



Cartridge

**Ø25 ceramic cartridge**

Treaded fitting

**G3/8" Female**

Aerator

**M16.5x1**

Flow Rate (+/-10%)

**1 BAR  
6.3 l/m**

**2 BAR  
8.9 l/m**

**3 BAR  
10.9 l/m**

Production

**Main body is a machined from a solid pieces**

Material

**BRASS  
According to CuZn39PB3 (CW614N)  
Max Lead content: 2.5%**

IB RUBINETTERIE s.p.a  
via dei Pianotti 3/5  
25068 Sarezzo (BS) - Italy -

T. +39 030 802101  
F. +39 030 803097  
info@weareib.it

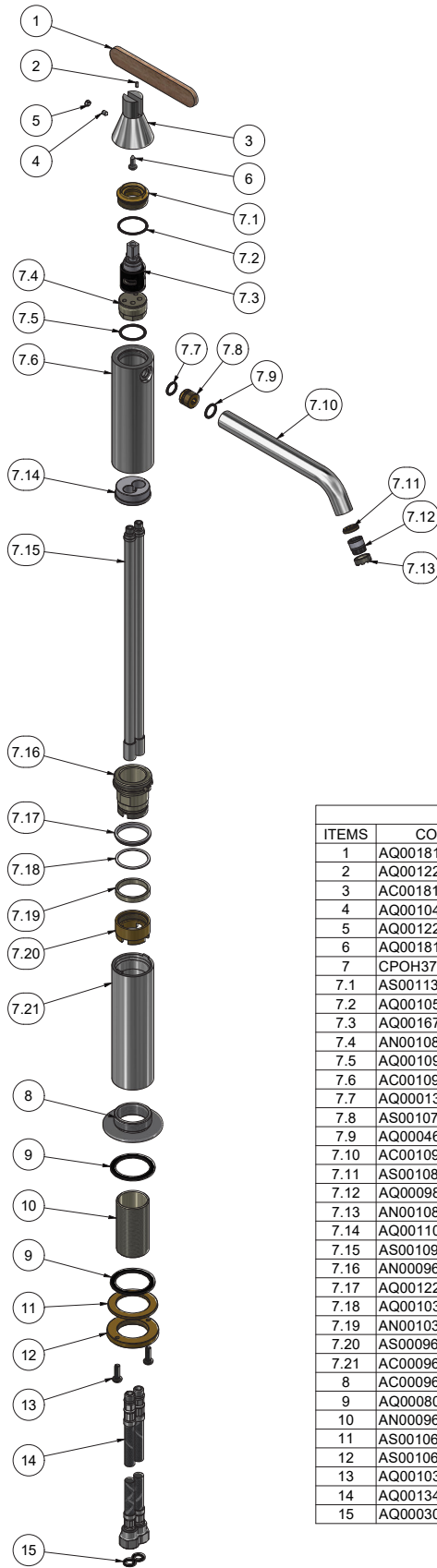
P.IVA 01785230986  
capitale sociale  
€420.000,00 i.v.

[www.weareib.it](http://www.weareib.it)





WE ARE IB



Parts list				
ITEMS	CODE	DESCRIPTION	FIN	QTÀ
1	AQ0018162	Handle 20 L120 H5	F	1
2	AQ0012230	Stainless stell pin Ø2.5x6	-	1
3	AC0018159	Handle Ø42 Ø20 H50	F	1
4	AQ0010444	Grubscrew M4x6 cone point	-	1
5	AQ0012203	Plug	F	1
6	AQ0018180	Self-tapping screw Ø4 L12 DIN 7505-B	-	1
7	CPOH370CCN_1	Preassembled	F	1
7.1	AS0011353	Cartridge fixing nut M30x1 H14.35	G	1
7.2	AQ0010564	OR 26.7x1.78 NBR 70 SH	-	1
7.3	AQ0016781	Progressive cartridge Ø25 open 9x9 (ST232A001321039)	-	1
7.4	AN0010810	Connection piece Ø27X18	N	1
7.5	AQ0010972	OR 23x2 NBR 70 SH	-	1
7.6	AC0010911	Kitchen monobloc body Ø42 H130	F	1
7.7	AQ0001350	OR 11.11x1.78 NBR 70 SH	-	1
7.8	AS0010783	Spout connection M16x1 M10x0.75 H15	G	1
7.9	AQ0004610	OR 12.42x1.78 NBR 70 SH	-	1
7.10	AC0010910	Sink dispenser Ø18 L170	F	1
7.11	AS0010829	Aerator stopper M16.5x1 H4	G	1
7.12	AQ0009836	Perlator honeycomb with rubber (44.3030.0)	-	1
7.13	AN0010830	Aerator cage M16.5x1 H6	N	1
7.14	AQ0011027	Extention pipe separator Ø36 H12	G	1
7.15	AS0010912	Extention pipe M8x1 L280	-	2
7.16	AN0009663	Rotating insert for basin	N	1
7.17	AQ0012278	Antifriction ring Ø36.6 H4.5	-	1
7.18	AQ0010332	Delrin ring for sink	-	1
7.19	AN0010302	Brass ring for sink	N	1
7.20	AS0009675	Insert fixing nut	G	1
7.21	AC0009667	Base body for revolving ring	F	1
8	AC0009689	Basin base Ø60 M38x1.5 H15.5 M33x1.5	F	1
9	AQ0008013	Rubber packing 45x35x2	-	2
10	AN0009680	Threaded stem M33x1.5 H61	N	1
11	AS0010659	Brass ring Ø50x35.5x3	G	1
12	AS0010658	Ring nut with screwed holes Ø52 M33x1.5 H6	G	1
13	AQ0010358	Inox screw M5x16 ISO 7045	-	2
14	AQ0013437	Inox hose M10x1 G3/8" F L600	-	2
15	AQ0003060	Rubber packing G3/8" (14.5x9x2)	-	2



WE ARE IB

### **WARRANTY**

All IB Rubinetterie SpA products are warranted for 10 years from the date of purchase, for the following cases:

- Defects of casting, porosity and chrome plating.
- Operating defects caused by incorrect fabrication.

The warranty provides for repair or replacement of products with fabrication defects recognized by our technical office. There is no other type of compensation anche the merchandise must be returned FOB our warehouse. The warranty only cover surface defects (scartches, dings, etc.) on fitting that have not been installed and used, returned in its original packaging with all components. O-ring, gasket seals and components subject to wear proportional to use are warranted for 2 years.

#### **The warranty is void in the following cases:**

Error installing and putting the product into service.

Deterioration of finished surfaces due to use of cleaning products containing acids or abrasive substances.

Deterioration of surface with finishes other than chrome plating. Their durability is, in fact, dependent on the user's care and gentleness of use.

Deterioration of the fitting due incorrect installation.

Improper repairs and maintenance performed without the company's prior authorization.

The warranty from IB Rubinetterie SpA is not renewable.

#### **Cleaning**

We recommended cleaning the finish surfaces with water and soap, using a soft cloth.

Do not use detergents that cointain hydrochloric acid or abrasive substances.