



WE ARE IB

Collection

## ONLY ONE

Article

## 00200

Description

**Monohole washbasin mixer complete with drain.**

Box Dimensions

**340x180x70 mm**

Weight

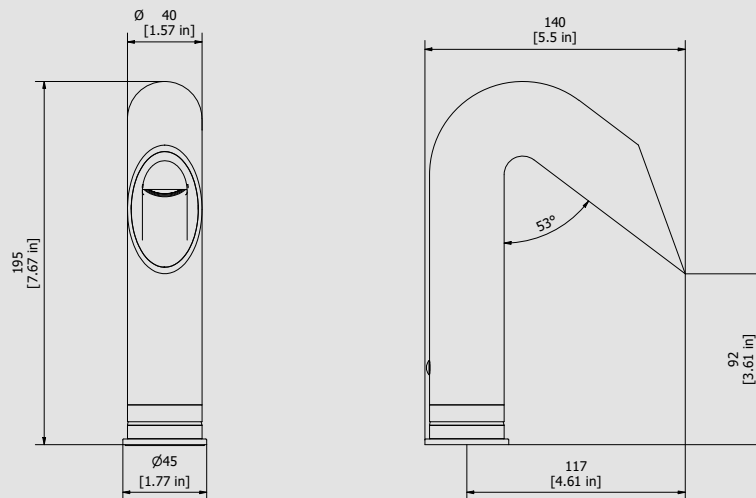
**2.5 kg**

Finishes

- CC** CHROME
- PL** PLATINUM
- SS** BRUSHED NICKEL
- ON** NATURAL BRASS
- BO** MATT WHITE
- NP** MATT BLACK
- CF** BLACK CHROME
- CS** BRUSHED BLACK CHROME
- II** PALE GOLD
- IS** BRUSHED PALE GOLD
- RS** ROSE GOLD
- SR** BRUSHED ROSE GOLD
- OO** GOLD
- OS** BRUSHED GOLD
- RR** ANTIQUE COPPER
- BB** ANTIQUE BRONZE



Dimensions



Cartridge

**Ceramic cartridge Ø25**

Hoses

**Flex inox M10x1 G3/8" 2F L400**

Aerator

-

Flow Rate (+/-10%)

<b>1 BAR</b>	<b>2 BAR</b>	<b>3 BAR</b>
<b>5.8 l/m</b>	<b>8.4 l/m</b>	<b>10.3 l/m</b>

Production

**Main body is a single casted pieces.**

Material

**BRASS**  
According to CuZn35Pb2Al-B (CB752S)  
Max Lead content: 1.36%

IB RUBINETTERIE s.p.a  
via dei Pianotti 3/5  
25068 Sarezzo (BS) - Italy -

T. +39 030 802101  
F. +39 030 803097  
info@weareib.it

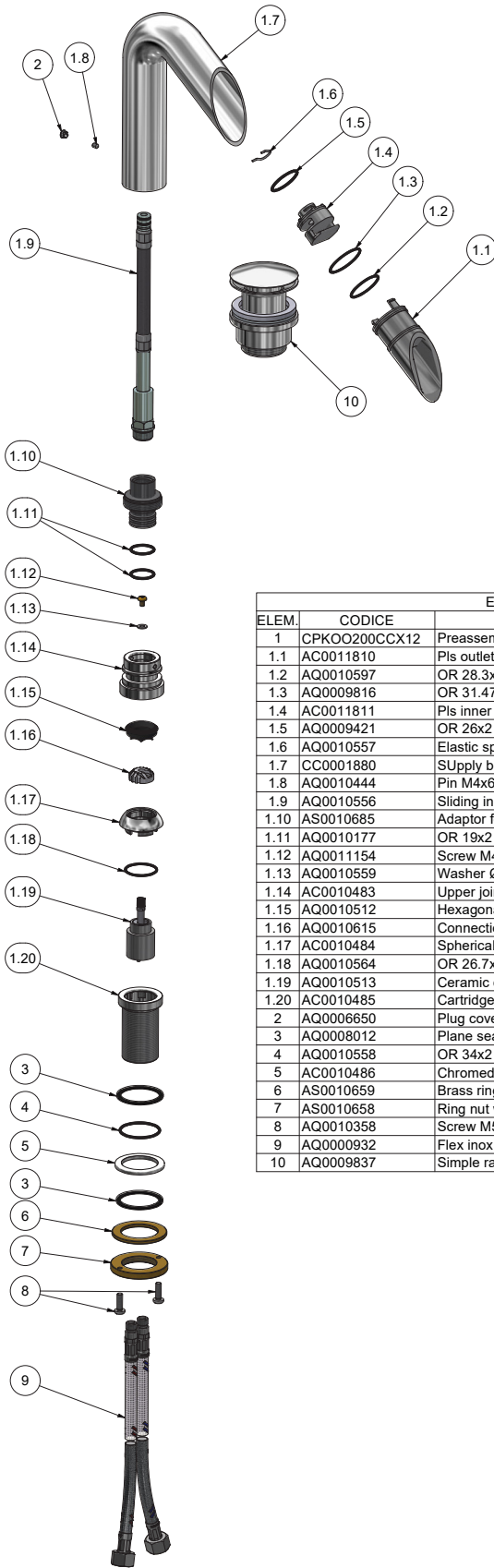
P.IVA 01785230986  
capitale sociale  
€420.000,00 i.v.

[www.weareib.it](http://www.weareib.it)





WE ARE IB



Elenco parti			
ELEM.	CODICE	NUMERO DI MAGAZZINO	QTÀ
1	CPK00200CCX12	Preassembled basin mixer	1
1.1	AC0011810	Pls outlet OnlyOne	1
1.2	AQ0010597	OR 28.3x1.78 NBR 70 SH	1
1.3	AQ0009816	OR 31.47x1.78 NBR 70 SH	1
1.4	AC0011811	Pls inner outlet OnlyOne	1
1.5	AQ0009421	OR 26x2 NBR 70 SH	1
1.6	AQ0010557	Elastic spring	1
1.7	CC0001880	SUPPLY body	1
1.8	AQ0010444	Pin M4x6 p.c.	1
1.9	AQ0010556	Sliding inoxrass flrxible	1
1.10	AS0010685	Adaptor for supply body	1
1.11	AQ0010177	OR 19x2 NBR 70 SH	2
1.12	AQ0011154	Screw M4x6	1
1.13	AQ0010559	Washer Ø4	1
1.14	AC0010483	Upper joint connction piece for spout	1
1.15	AQ0010512	Hexagonal rubber packing NBR 70	1
1.16	AQ0010615	Connection piece for ceramic cartridge's rod	1
1.17	AC0010484	Spherical cartridge pressing	1
1.18	AQ0010564	OR 26.7x1.78 NBR 70 SH	1
1.19	AQ0010513	Ceramic cartridge Ø25	1
1.20	AC0010485	Cartridge holder fixing rod	1
2	AQ0006650	Plug cover Ø7	1
3	AQ0008012	Plane seal Ø42.5x35.5x2	2
4	AQ0010558	OR 34x2 NBR 70 SH	1
5	AC0010486	Chromed base	1
6	AS0010659	Brass ring Ø50x35.5x3	1
7	AS0010658	Ring nut with screwed holes Ø52 M33x1.5 H6	1
8	AQ0010358	Screw M5x16	2
9	AQ0000932	Flex inox M10x1 G3/8" 2F L400	2
10	AQ0009837	Simple rapid waste 1"1/4	1



WE ARE IB

### **WARRANTY**

All IB Rubinetterie SpA products are warranted for 10 years from the date of purchase, for the following cases:

- Defects of casting, porosity and chrome plating.
- Operating defects caused by incorrect fabrication.

The warranty provides for repair or replacement of products with fabrication defects recognized by our technical office. There is no other type of compensation anche the merchandise must be returned FOB our warehouse. The warranty only cover surface defects (scartches, dings, etc.) on fitting that have not been installed and used, returned in its original packaging with all components. O-ring, gasket seals and components subject to wear proportional to use are warranted for 2 years.

#### **The warranty is void in the following cases:**

Error installing and putting the product into service.

Deterioration of finisched surfaces due to use of cleaning products containing acids or abrasive substances.

Deterioration of surface with finishes other than chrome plating. Their durability is, in fact, dependent on the user's care and gentleness of use.

Deterioration of the fitting due incorrect installation.

Improper repairs and maintenance performed without the company's prior authorization.

The warranty from IB Rubinetterie SpA is not renewable.

#### **Cleaning**

We recommended cleaning the finish surfaces with water and soap, using a soft cloth.

Do not use detergents that cointain hydrochloric acid or abrasive substances.