



WE ARE IB

Collection

ONLY ONE

Article

00314

Description

Exposed parts for manual wall mixer with 3 ways with shower kit. Built-in body purchased separately INC314.

Box Dimensions

370x270x80 mm

Weight

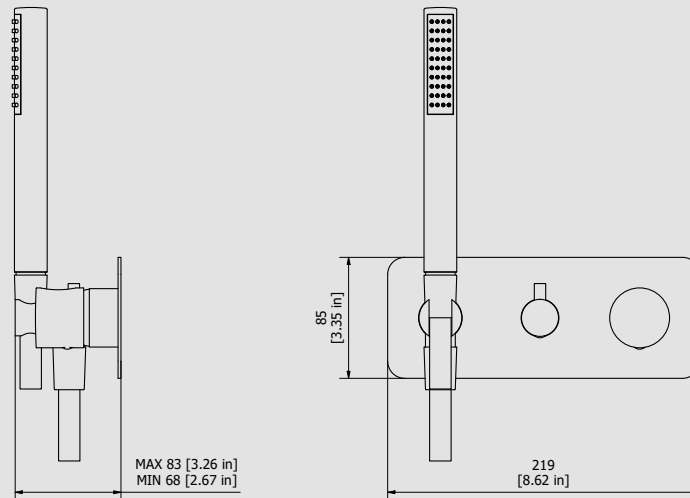
2.9 kg

Finishes

- CC** CHROME
- PL** PLATINUM
- SS** BRUSHED NICKEL
- ON** NATURAL BRASS
- BO** MATT WHITE
- NP** MATT BLACK
- CF** BLACK CHROME
- CS** BRUSHED BLACK CHROME
- II** PALE GOLD
- IS** BRUSHED PALE GOLD
- RS** ROSE GOLD
- SR** BRUSHED ROSE GOLD
- OO** GOLD
- OS** BRUSHED GOLD
- RR** ANTIQUE COPPER
- BB** ANTIQUE BRONZE



Dimensions



Cartridge

Ø35 Ceramic cartridge

Threaded fitting

-

Aerator

-

Flow Rate (+/-10%)

1 BAR
8.3 l/m

2 BAR
11.7 l/m

3 BAR
14.3 l/m

Production

Main body is a single casted pieces.

Material

BRASS
According to CuZn35Pb2Al-B (CB752S)
Max Lead content: 1.36%

IB RUBINETTERIE s.p.a
via dei Pianotti 3/5
25068 Sarezzo (BS) - Italy -

T. +39 030 802101
F. +39 030 803097
info@weareib.it

P.IVA 01785230986
capitale sociale
€420.000,00 i.v.

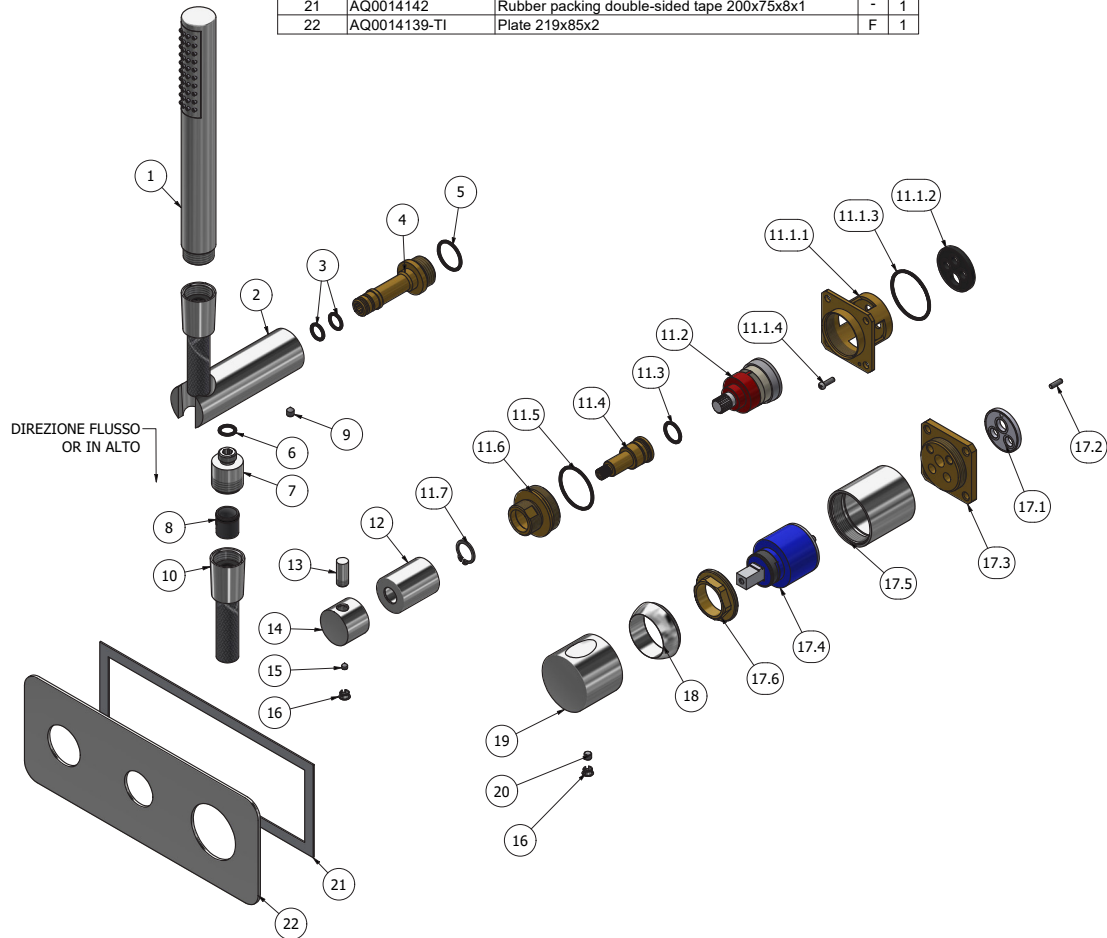
www.weareib.it





WE ARE IB

Parts list			
ITEMS	CODE	DESCRIPTION	FIN QTA
1	AQ0012085	Hand shower stilo Ø23 H196	F 1
2	AC0013053	Hand shower's support Ø30 L94.8	F 1
3	AQ0004180	OR 9.25x1.78 NBR 70 SH	- 2
4	AS0018164	Bayonet coupling G1/2" M H62.5	G 1
5	AQ0004640	OR 18.77x1.78 NBR 70 SH	- 1
6	AQ0001340	OR 8.73x1.78 NBR 70 SH	- 1
7	AC0013052	Reduction G1/2" M M12x1 M H20.5	F 1
8	AQ0013247	Flow reduction+CV Ø15 4L	- 1
9	AQ0014670	Grubscrew M5x6 cone point	- 1
10	AQ0018056	Flex snapon G1/2" F L150cm Silver	F 1
11	CPDEV3VXXN_1	Preassembled diverter three ways	- 1
11.1	CP13047XXN_1	Preassembled diverter three ways	- 1
11.1.1	AS0013047	Insert 47x47x32	G 1
11.1.2	AQ0015686	Rubber Ø32 H4	- 1
11.1.3	AQ0008026	OR 33.05x1.78 NBR 70 SH	- 1
11.1.4	AQ0012206	Inox screw M3x10	- 1
11.2	AQ0014857	Diverter cartridge 3 outlets 180°	- 1
11.3	AQ0004610	OR 12.42x1.78 NBR 70 SH	- 1
11.4	AS0013048	Rod Ø17.9 H42.4	G 1
11.5	AQ0010597	OR 28.3x1.78 NBR 70 SH	- 1
11.6	AS0013050	Junction M32x1 M22x1 H23	G 1
11.7	AQ0015748	Seeger ring Ø14 H1	- 1
12	AC0013054	Ring Ø26 M22x1 F H33	F 1
13	AC0007092	Handle knob M8 H19	F 1
14	AC0011372	Diverter's knob Ø26 H20	F 1
15	AQ0001082	Grubscrew M4x4 cone point	- 1
16	AQ0006650	Plug cover Ø7	F 2
17	CPIN206CC-19	Mixer 47x47 x recessed	- 1
17.1	AQ0015684	Gasket Ø31 H3.5 Ø7 Ø7.5	- 1
17.2	AQ0015357	Grubscrew M3x10 flat point	- 1
17.3	AS0013040	Insert 47x47 H11 M37x1.5	G 1
17.4	AQ0004095	Ceramic cartridge Ø35 9x9 (K35A)	- 1
17.5	AC0010445	Recessed ring Ø41 M37x1.5 H40.7	F 1
17.6	AQ0001040	Cartridge ring nut M37x1.5 H9	G 1
18	AQ0003630	Cartridge ring nut cover M37x1.5	F 1
19	AC0011809	Handle Ø42 H34	F 1
20	AQ0009541	Grubscrew M5x4 flat point	- 1
21	AQ0014142	Rubber packing double-sided tape 200x75x8x1	- 1
22	AQ0014139-TI	Plate 219x85x2	F 1





WE ARE IB

WARRANTY

All IB Rubinetterie SpA products are warranted for 10 years from the date of purchase, for the following cases:

- Defects of casting, porosity and chrome plating.
- Operating defects caused by incorrect fabrication.

The warranty provides for repair or replacement of products with fabrication defects recognized by our technical office. There is no other type of compensation anche the merchandise must be returned FOB our warehouse. The warranty only cover surface defects (scartches, dings, etc.) on fitting that have not been installed and used, returned in its original packaging with all components. O-ring, gasket seals and components subject to wear proportional to use are warranted for 2 years.

The warranty is void in the following cases:

Error installing and putting the product into service.

Deterioration of finished surfaces due to use of cleaning products containing acids or abrasive substances.

Deterioration of surface with finishes other than chrome plating. Their durability is, in fact, dependent on the user's care and gentleness of use.

Deterioration of the fitting due incorrect installation.

Improper repairs and maintenance performed without the company's prior authorization.

The warranty from IB Rubinetterie SpA is not renewable.

Cleaning

We recommended cleaning the finish surfaces with water and soap, using a soft cloth.

Do not use detergents that cointain hydrochloric acid or abrasive substances.