

Collection

Rubacuori

Article

RU206

Description

Wal mounted washbasin mixer complete with drain

Built-in body to be purchased separately INC206

Box Dimensions

265x260x70 mm

Weight

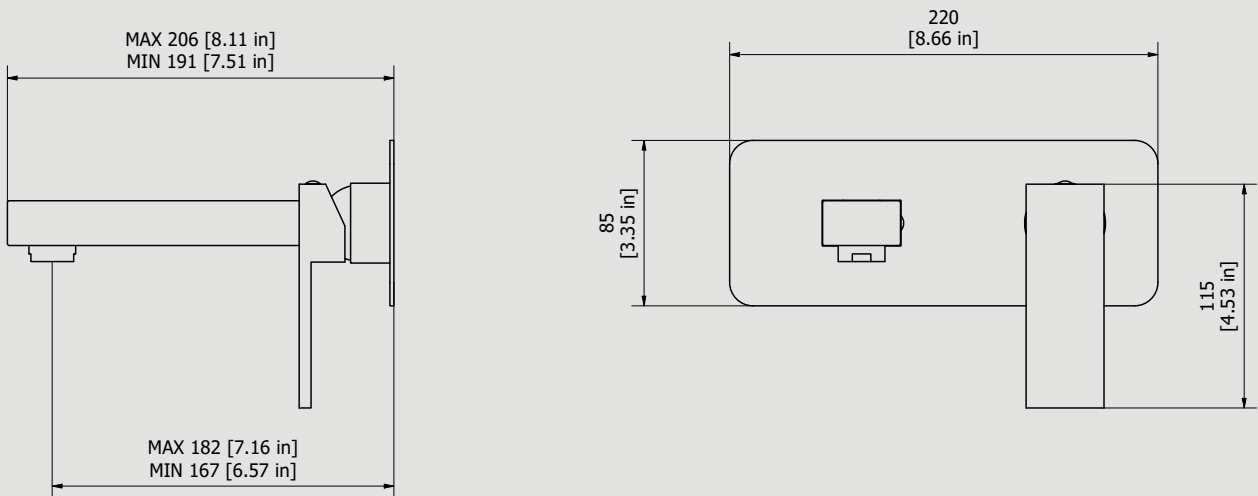
1.7 kg

Finishes

- **CC**
CHROME
- **CF**
BLACK CHROME
- **OO**
GOLD
- **MB**
MODERN BRONZE
- **SS**
BRUSHED NICKEL
- **CS**
BRUSHED BLACK CHROME
- **BO**
MATT WHITE
- **NP**
MATT BLACK
- **IS**
BRUSHED PALE GOLD
- **OS**
BRUSHED GOLD
- **II**
PALE GOLD
- **RR**
ANTIQUE COPPER
- **RS**
ROSE GOLD
- **ON**
NATURAL BRASS
- **SR**
BRUSHED ROSE GOLD
- **PL**
PLATINUM



Dimensions



Cartridge

Ø35 ceramic cartridge

Threaded fitting

Aerator

M24x1

Flow Rate (+/-10%)

1 BAR
8.8 l/min

2 BAR
12.3 l/min

3 BAR
15.2 l/min

Production

Main body is a machined from a solid pieces

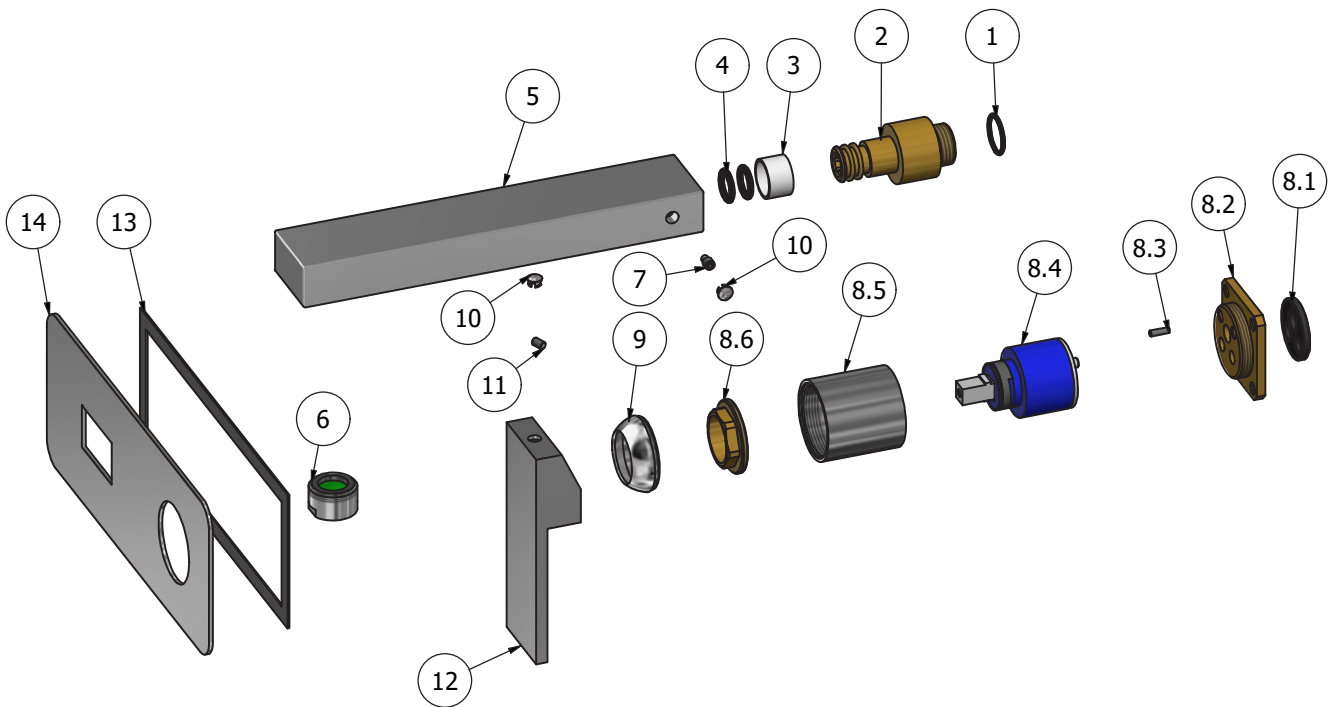
Material

BRASS
According to CuZn39Pb3 (CW614N)
Max Lead content: 2.5%



WE ARE IB

Parts list			
ELEM.	CODE	DESCRIPTION	QTÀ
1	AQ0004630	OR 17.16x1.78 NBR 70 SH	1
2	AS0011746	Spout-out insert G1/2" H59	1
3	AQ0010143	Antifriction ring Ø20 H12.5	1
4	AQ0001360	OR 11.91x2.62 NBR 70 SH	2
5	AQ0014442	Spout-out 40x23x210	1
6	AQ0000020	Aerator M24 x 1 perlator honeycomb (40200503301)	1
7	AQ0007178	Grubscrew M5x8 half dog point	1
8	CPIN206CC-19	Mixer 47x47 x recessed	1
8.1	AQ0015684	Gasket Ø31 H3.5 Ø7 Ø7.5	1
8.2	AS0013040	Insert 47x47 H11 M37x1.5	1
8.3	AQ0015357	Grubscrew M3x10 flat point	1
8.4	AQ0004095	Ceramic cartridge Ø35 9x9 (K35A)	1
8.5	AC0010445	Ring for recessed shower mixer	1
8.6	AQ0001040	Cartridge ring nut M37x1.5 H9	1
9	AQ0012068	Chromed cover nut Ø38,2 M37x1,5	1
10	AQ0006650	Plug cover Ø7	2
11	AQ0001081	Grubscrew M4x6 flat point	1
12	AQ0013277	Zamack square handle 40x40x23.5x115	1
13	AQ0014142	Rubber packing double-sided tape 200x75x8x1	1
14	AC0013128	Plate 220x85x2	1





WE ARE IB

WARRANTY

All IB Rubinetterie SpA products are warranted for 10 years from the date of purchase, for the following cases:

- Defects of casting, porosity and chrome plating.
- Operating defects caused by incorrect fabrication.

The warranty provides for repair or replacement of products with fabrication defects recognized by our technical office. There is no other type of compensation anche the merchandise must be returned FOB our warehouse. The warranty only cover surface defects (scartches, dings, etc.) on fitting that have not been installed and used, returned in its original packaging with all components. O-ring, gasket seals and components subject to wear proportional to use are warranted for 2 years.

The warranty is void in the following cases:

Error installing and putting the product into service.

Deterioration of finished surfaces due to use of cleaning products containing acids or abrasive substances.

Deterioration of surface with finishes other than chrome plating. Their durability is, in fact, dependent on the user's care and gentleness of use.

Deterioration of the fitting due incorrect installation.

Improper repairs and maintenance performed without the company's prior authorization.

The warranty from IB Rubinetterie SpA is not renewable.

Cleaning

We recommanded cleaning the finish surfaces with water and soap, using a soft cloth.

Do not use detergents that cointain hydrochloric acid or abrasive substances.