



WE ARE IB

Collection

REFLEX

Article

RX270

Description

Dual lever deck mounted.

Box Dimensions

420 x 180 x 90 mm

Weight

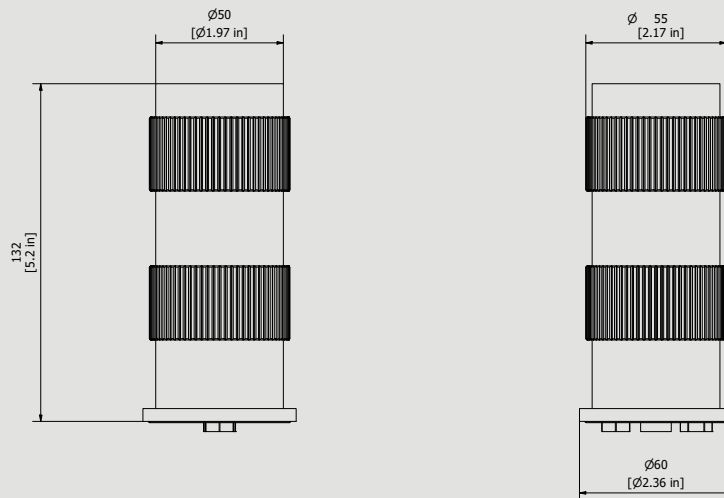
2 kg

Finishes

- **CC**
CHROME
- **CF**
BLACK CHROME
- **OO**
GOLD
- **MB**
MODERN BRONZE
- **SS**
BRUSHED NICKEL
- **CS**
BRUSHED BLACK CHROME
- **BO**
MATT WHITE
- **NP**
MATT BLACK
- **IS**
BRUSHED PALE GOLD
- **OS**
BRUSHED GOLD
- **II**
PALE GOLD
- **RR**
ANTIQUÉ COPPER
- **RS**
ROSE GOLD
- **ON**
NATURAL BRASS
- **SR**
BRUSHED ROSE GOLD
- **PL**
PLATINUM



Dimensions



Cartridge

G1/2" ceramic cartridge

Hoses

Inox hoses G1/2" female 600 mms long

Aerator

Flow Rate (+/-10%)

**1 BAR
6.9 l/min**

**2 BAR
9.8 l/min**

**3 BAR
12.1 l/min**

Production

Main body is a machined from a solid pieces

Material

**BRASS
According to CuZn42 (CW510L)
Max Lead content: 0.2%**

IB RUBINETTERIE s.p.a
via dei Pianotti 3/5
25068 Sarezzo (BS) - Italy -

T. +39 030 802101
F. +39 030 803097
info@weareib.it

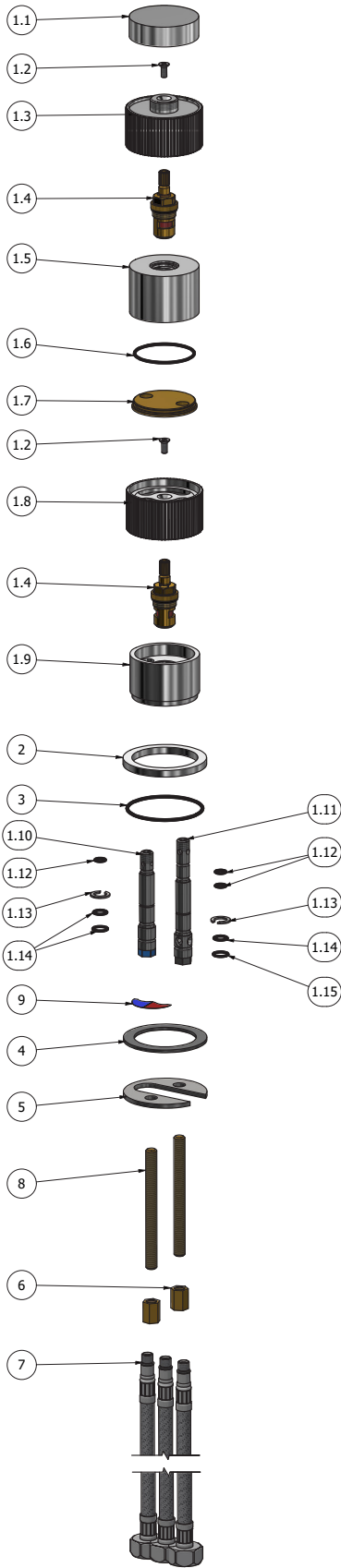
P.IVA 01785230986
capitale sociale
€420.000,00 i.v.

www.weareib.it





WE ARE IB



Parts list			
ELEM.	CODE	DESCRIPTION	QTÀ
1	CPRX270CCXN_1	Pre-assembled remote tap	1
1.1	AC0016683	Knob Ø50 H15 M20x1F	1
1.2	AQ0013743	Inox screw M4X10 DIN 965	2
1.3	AC0016678	Upper handle Ø55 H29 M20x1 vertical knurled	1
1.4	AQ0017602	Headwork G3/8" DX machined Ø19.3	2
1.5	AC0016681	Upper body Ø50 H35	1
1.6	AQ0001440	OR 41x1.78 NBR 70 SH	1
1.7	AS0016684	Flange Ø46.7 H5.5	1
1.8	AC0016677	Downer handle Ø55 H29 vertical knurled	1
1.9	AC0016680	Lower body Ø50 H37	1
1.10	AS0016685	Pin inox M9X1M L78	1
1.11	AS0016676	Pin inox M9X1M H93	1
1.12	AQ0001325	OR 6x1.5 NBR 70 SH	3
1.13	AS0016977	Washer Ø14 Ø9.3 SP.1.2	2
1.14	AQ0011018	OR 8x1.5 NBR 70 SH	2
1.15	AQ0010077	OR 9x1.5 NBR 70 SH	2
2	AC0016679	Base Ø60 Ø47.5 H5	1
3	AQ0014771	OR 52x2 NBR 70 SH	1
4	AQ0013943	Rubber packing Ø60xØ45 H2	1
5	AS0016682	Fixing flange Ø60 H3	1
6	AQ0015521	Hexagonal nut 11 M8 H15	2
7	AQ0016697	Flex inox DN6 TP Mc M8x1 G1/2" L 600	3
8	AQ0015778	Tie rod M8 L90	2
9	AQ0011024	Label red and blue	1



WE ARE IB

WARRANTY

All IB Rubinetterie SpA products are warranted for 10 years from the date of purchase, for the following cases:

- Defects of casting, porosity and chrome plating.
- Operating defects caused by incorrect fabrication.

The warranty provides for repair or replacement of products with fabrication defects recognized by our technical office. There is no other type of compensation anche the merchandise must be returned FOB our warehouse. The warranty only cover surface defects (scartches, dings, etc.) on fitting that have not been installed and used, returned in its original packaging with all components. O-ring, gasket seals and components subject to wear proportional to use are warranted for 2 years.

The warranty is void in the following cases:

Error installing and putting the product into service.

Deterioration of finished surfaces due to use of cleaning products containing acids or abrasive substances.

Deterioration of surface with finishes other than chrome plating. Their durability is, in fact, dependent on the user's care and gentleness of use.

Deterioration of the fitting due incorrect installation.

Improper repairs and maintenance performed without the company's prior authorization.

The warranty from IB Rubinetterie SpA is not renewable.

Cleaning

We recommanded cleaning the finish surfaces with water and soap, using a soft cloth.

Do not use detergents that cointain hydrochloric acid or abrasive substances.