



IB RUBINETTI

Collection

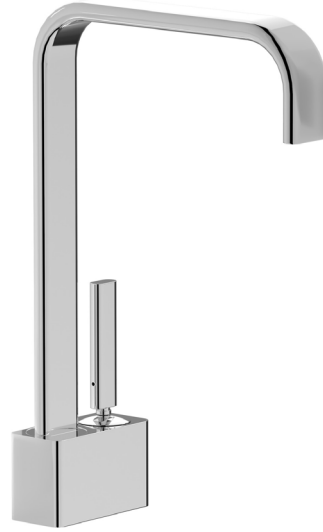
SUPERBOX

Article

SB202

Description

Tall monohole washbasin mixer



Box Dimensions

225 x 95 x 70 mm

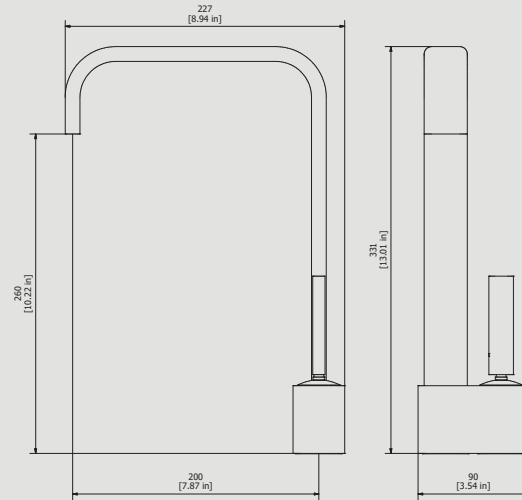
Weight

2.8 kg

Finishes

- **CC**
CHROME
- **CF**
BLACK CHROME
- **OO**
GOLD
- **BB**
ANTIQUÉ BRONZE
- **SS**
BRUSHED NICKEL
- **CS**
BRUSHED BLACK CHROME
- **BO**
MATT WHITE
- **NP**
MATT BLACK
- **IS**
BRUSHED PALE GOLD
- **OS**
BRUSHED GOLD
- **II**
PALE GOLD
- **RR**
ANTIQUÉ COPPER
- **ORS**
ROSE GOLD
- **ON**
NATURAL BRASS
- **SR**
BRUSHED ROSE GOLD
- **PL**
PLATINUM

Dimensions



Cartridge

Ø25 ceramic cartridge

Hoses

Inox hoses G3/8" female 400 mms long

Aerator

-

Flow Rate (+/-10%)

1 BAR
8 l/min

2 BAR
10 l/min

3 BAR
10 l/min

Production

Main body is a single hot stamped pieces

Material

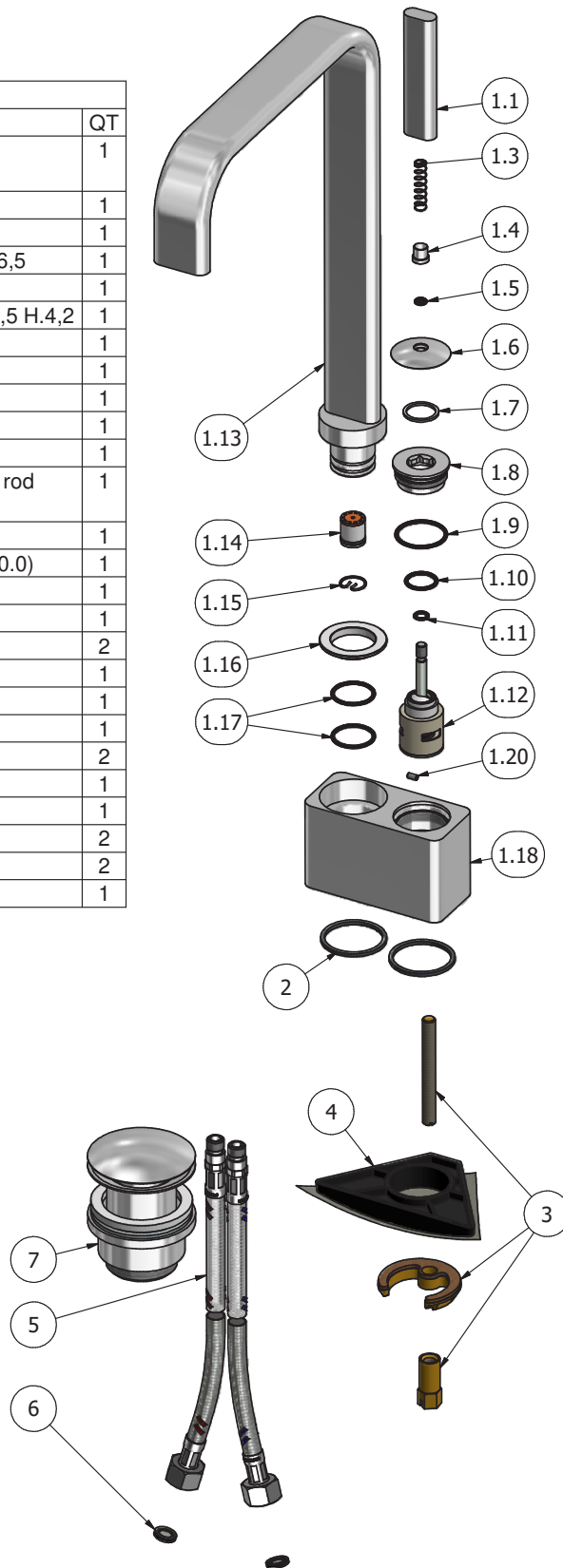
BRASS
According to CuZn42 (CW510L)
Max Lead content: 0.2%





IB RUBINETTI

Elenco parti			
ELEM	CODICE	NUMERO DI MAGAZZINO	QT
1	CPKSB202 CCX01	Tall washbasin SuperBox	1
1.1	AC0011283	Washbasin lever 80x20x10	1
1.3	AQ0013011	Spring L30 F0.5 Ø7	1
1.4	AC0011284	Plunger for lever Ø7.9 Ø9.5 H9 hole 6,5	1
1.5	AQ0007122	OR 3.69x1.78 NBR 70 SH	1
1.6	AC0010892	Cartridge fixing nut sliding cover Ø34,5 H.4,2	1
1.7	AQ0011008	Teflon antifriction ring 20,4X17	1
1.8	AC0010893	Cartridge fixing nut Ø32,8 H.13,5	1
1.9	AQ0010564	OR 26.7x1.78 NBR 70 SH	1
1.10	AQ0004600	OR 15.6x1.78 NBR 70 SH	1
1.11	AQ0001325	OR 6x1.5 NBR 70 SH	1
1.12	AQ0011012	Ceramic cartridge open Ø25 with M6 rod (ST 325)	1
1.13	AC0011102	Complete spout welded	1
1.14	AQ0011121	Valve reduction flow 10 LTM (31.4190.0)	1
1.15	AQ0009678	Elastic ring AISI 302	1
1.16	AQ0012088	Teflon ring Ø38.8xØ26 H5	1
1.17	AQ0006637	OR 21.95x1.78 NBR 70 SH	2
1.18	CC0002189	Washbasin body 90x55x42	1
1.19	AQ0007178	Grubscrew M5x8 half dog point	1
1.20	AQ0010525	Grubscrew M3x6 flat point	1
2	AQ0010274	Rubber packing Ø38x33.5x2	2
3	AQ0010357	Fixing set	1
4	AQ0009184	Support base for sink	1
5	AQ0000932	Inox hose M10x1 G3/8" F L400	2
6	AQ0009513	Rubber packing G3/8" H 2	2
7	AQ0009837	Simple rapid waste 1"1/4	1





WARRANTY

All IB Rubinetterie SpA products are warranted for 10 years from the date of purchase, for the following cases:

- Defects of casting, porosity and chrome plating.
- Operating defects caused by incorrect fabrication.

The warranty provides for repair or replacement of products with fabrication defects recognized by our technical office. There is no other type of compensation anche the merchandise must be returned FOB our warehouse. The warranty only cover surface defects (scartches, dings, etc.) on fitting that have not been installed and used, returned in its original packaging with all components. O-ring, gasket seals and components subject to wear proportional to use are warranted for 2 years.

The warranty is void in the following cases:

Error installing and putting the product into service.

Deterioration of finished surfaces due to use of cleaning products containing acids or abrasive substances.

Deterioration of surface with finishes other than chrome plating. Their durability is, in fact, dependent on the user's care and gentleness of use.

Deterioration of the fitting due incorrect installation.

Improper repairs and maintenance performed without the company's prior authorization.

The warranty from IB Rubinetterie SpA is not renewable.

Cleaning

We recommanded cleaning the finish surfaces with water and soap, using a soft cloth.

Do not use detergents that cointain hydrochloric acid or abrasive substances.