



WE ARE IB

Collection

# BODY JET

Article

## SH034

Description

Round built-in body - jet

Box Dimensions

150x190x98 mm

Weight

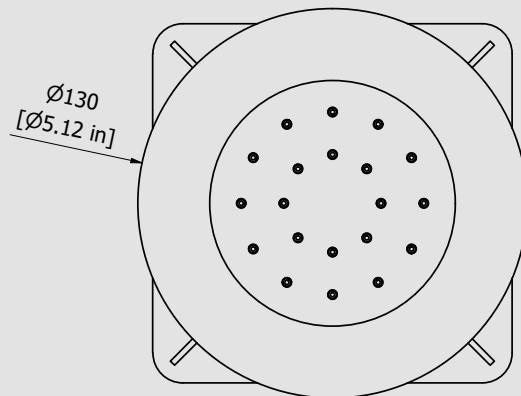
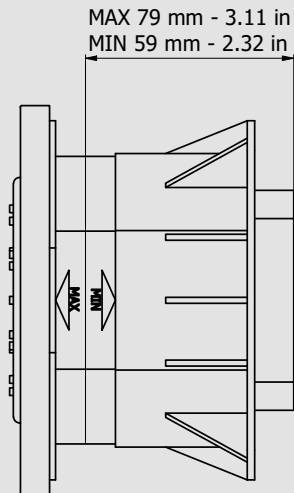
0.8 kg

Finishes

- CC** CHROME
- PL** PLATINUM
- SS** BRUSHED NICKEL
- ON** NATURAL BRASS
- BO** MATT WHITE
- NP** MATT BLACK
- CF** BLACK CHROME
- CS** BRUSHED BLACK CHROME
- II** PALE GOLD
- IS** BRUSHED PALE GOLD
- RS** ROSE GOLD
- SR** BRUSHED ROSE GOLD
- OO** GOLD
- OS** BRUSHED GOLD
- RR** ANTIQUE COPPER
- BB** ANTIQUE BRONZE



Dimensions



Cartridge

-

Threaded fitting

-

Aerator

-

Flow Rate (+/-10%)

**1 BAR**  
3.2 l/m

**2 BAR**  
3.8 l/m

**3 BAR**  
4.3 l/m

Production

-

Material

**BRASS**  
-

IB RUBINETTERIE s.p.a  
via dei Pianotti 3/5  
25068 Sarezzo (BS) - Italy -

T. +39 030 802101  
F. +39 030 803097  
info@weareib.it

P.IVA 01785230986  
capitale sociale  
€420.000,00 i.v.

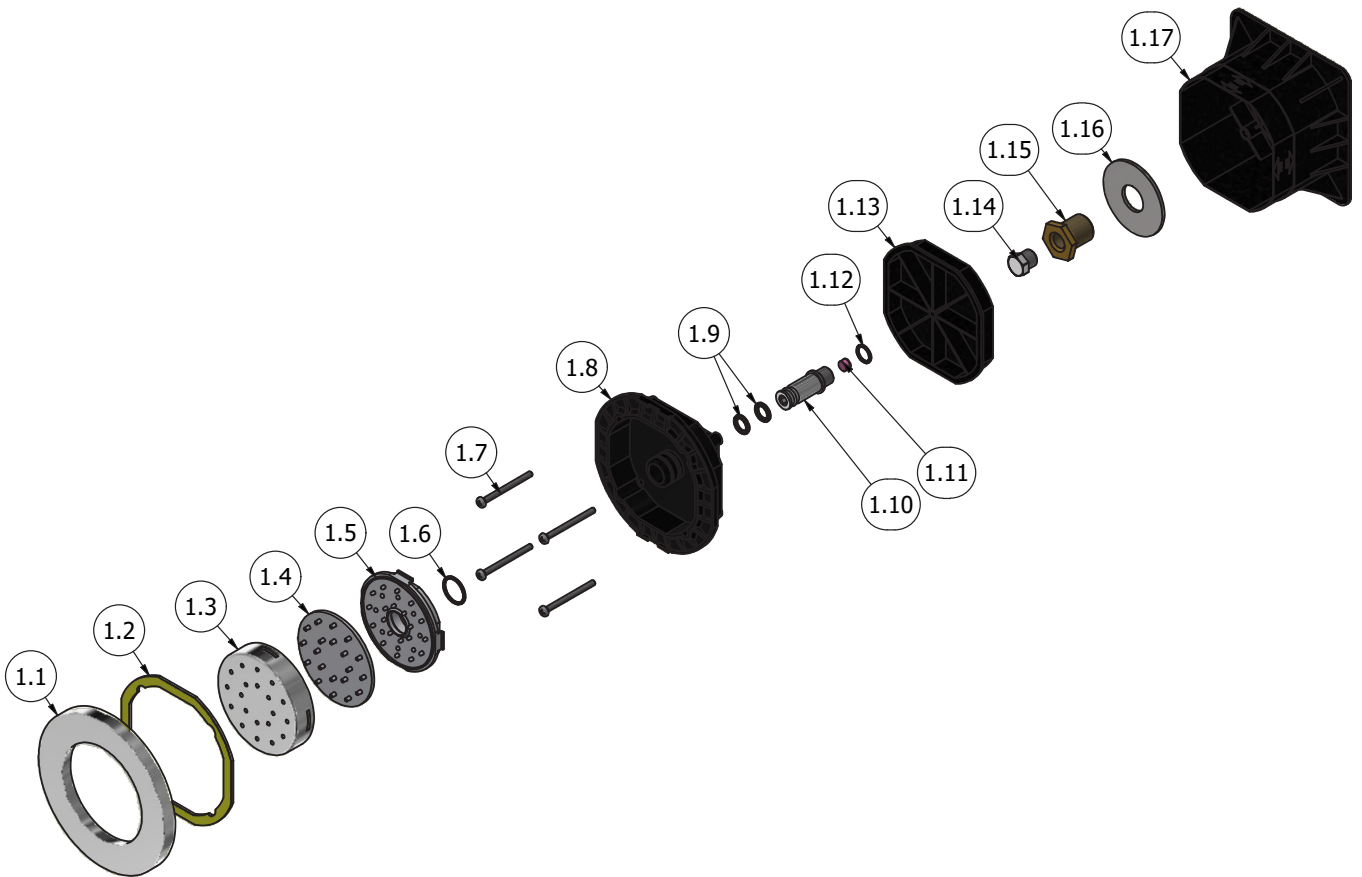
www.weareib.it





WE ARE IB

Parts list				
ITEMS	CODE	DESCRIPTION	FIN	QTÀ
1	AQ0013796	BodyJet round	-	1
1.1	AQ0013796_1	Rosette Ø130 H9.5	F	1
1.2	AQ0013796_17	Biadhesive gasket for lid	-	1
1.3	AQ0013796_16	Round lid Ø82	F	1
1.4	AQ0013796_13	Body-Jet anti-limescale rubber	-	1
1.5	AQ0013796_14	Body-Jet anti-limescale rubber pusher	-	1
1.6	AQ0013796_15	OR 18.77x1.78 NBR 70 SH	-	1
1.7	AQ0013796_2	Self-tapping screw Ø40 L50	-	4
1.8	AQ0013796_3	External Body-Jet Ø125	-	1
1.9	AQ0013796_4	OR 9.92x2.62 NBR 70 SH	-	2
1.10	AQ0013796_5	Connection G1/2" M Ø14.5 L46	-	1
1.11	AQ0013796_6	Flow reduction valve 4L/min	-	1
1.12	AQ0013796_7	OR 11.11x1.78 NBR 70 SH	-	1
1.13	AQ0013796_8	Cover 100x100x14.5	-	1
1.14	AQ0013796_9	Plug G1/2" H16.5	-	1
1.15	AQ0013796_10	Insert G1/2" M G1/4" F	-	1
1.16	AQ0013796_11	Plate Ø60 Ø21 H2.5	-	1
1.17	AQ0013796_12	Carter 120x120x79	-	1





WE ARE IB

### **WARRANTY**

All IB Rubinetterie SpA products are warranted for 10 years from the date of purchase, for the following cases:

- Defects of casting, porosity and chrome plating.
- Operating defects caused by incorrect fabrication.

The warranty provides for repair or replacement of products with fabrication defects recognized by our technical office. There is no other type of compensation anche the merchandise must be returned FOB our warehouse. The warranty only cover surface defects (scartches, dings, etc.) on fitting that have not been installed and used, returned in its original packaging with all components. O-ring, gasket seals and components subject to wear proportional to use are warranted for 2 years.

#### **The warranty is void in the following cases:**

Error installing and putting the product into service.

Deterioration of finished surfaces due to use of cleaning products containing acids or abrasive substances.

Deterioration of surface with finishes other than chrome plating. Their durability is, in fact, dependent on the user's care and gentleness of use.

Deterioration of the fitting due incorrect installation.

Improper repairs and maintenance performed without the company's prior authorization.

The warranty from IB Rubinetterie SpA is not renewable.

#### **Cleaning**

We recommended cleaning the finish surfaces with water and soap, using a soft cloth.

Do not use detergents that cointain hydrochloric acid or abrasive substances.