



WE ARE IB

Collection

Shower rail

Article

SH109_2

Description

Shower rail EVO

Box Dimensions

810x430x465 mm

Weight

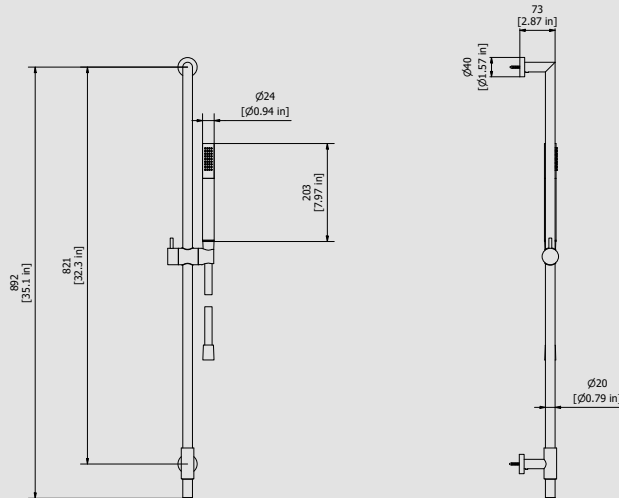
1.8 kg

Finishes

- **CC**
CHROME
- **PL**
PLATINUM
- **SS**
BRUSHED
NICKEL
- **ON**
NATURAL
BRASS
- **BO**
MATT
WHITE
- **NP**
MATT
BLACK
- **CF**
BLACK
CHROME
- **CS**
BRUSHED
BLACK
CHROME
- **II**
PALE
GOLD
- **IS**
BRUSHED
PALE GOLD
- **RS**
ROSE
GOLD
- **SR**
BRUSHED
ROSE GOLD
- **OO**
GOLD
- **OS**
BRUSHED
GOLD
- **RR**
ANTIQUÉ
COPPER
- **BB**
ANTIQUÉ
BRONZE
- **MB**
MODERN
BRONZE



Dimensions



Cartridge

-

Threaded fitting

G1/2" female

Aerator

-

Flow Rate (+/-10%)

1 BAR
- l/m

2 BAR
- l/m

3 BAR
- l/m

Production

Main body is a single hot stamped pieces

Material

BRASS
According to CuZn39Pb3 (CW614N)
Max Lead content: 2.5%

IB RUBINETTERIE s.p.a
via dei Pianotti 3/5
25068 Sarezzo (BS) - Italy -

T. +39 030 802101
F. +39 030 803097
info@weareib.it

P.IVA 01785230986
capitale sociale
€420.000,00 i.v.

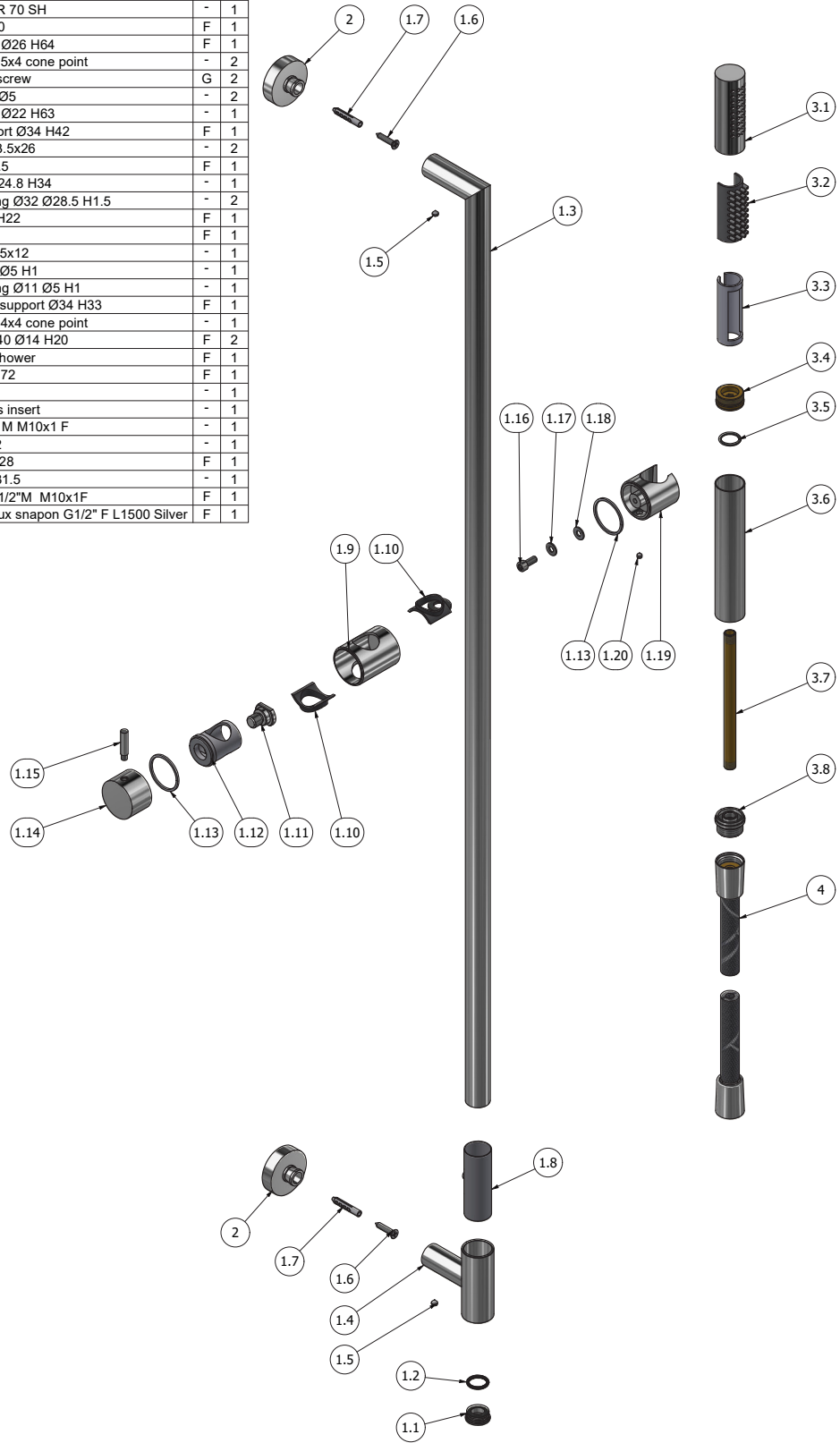
www.weareib.it





WE ARE IB

Parts list				
ITEMS	CODE	DESCRIPTION	FIN	QTA
1	AQ0016198	Shower rail Ø20 H900	F	1
1.1	AQ0016198_3	Plug Ø20 Ø18 H7	F	1
1.2	AQ0016198_4	OR 14x2 NBR 70 SH	-	1
1.3	AQ0016198_5	Pipe Ø20 H90	F	1
1.4	AQ0016198_6	Sliding insert Ø26 H64	F	1
1.5	AQ0016198_7	Grubscrew M5x4 cone point	-	2
1.6	AQ0016198_8	Self-tapping screw	G	2
1.7	AQ0016198_9	Dowel fisher Ø5	-	2
1.8	AQ0016198_10	Sliding insert Ø22 H63	-	1
1.9	AQ0016198_11	Central support Ø34 H42	F	1
1.10	AQ0016198_12	Pipe guide 23.5x26	-	2
1.11	AQ0016198_13	Pin Ø20 H18.5	F	1
1.12	AQ0016198_14	Insert Ø27 Ø24.8 H34	-	1
1.13	AQ0016198_15	Antifriction ring Ø32 Ø28.5 H1.5	-	2
1.14	AQ0016198_16	Handle Ø34 H22	F	1
1.15	AQ0016198_17	Rod Ø6 H27	F	1
1.16	AQ0016198_18	Inox screw M5x12	-	1
1.17	AQ0016198_19	Washer Ø11 Ø5 H1	-	1
1.18	AQ0016198_20	Antifriction ring Ø11 Ø5 H1	-	1
1.19	AQ0016198_21	Handshower support Ø34 H33	F	1
1.20	AQ0016198_22	Grubscrew M4x4 cone point	-	1
2	AC0016198_2	Wall fixing Ø40 Ø14 H20	F	2
3	AQ0013557	OnAir hand shower	F	1
3.1	AQ0013557_1	Head Ø24 L.72	F	1
3.2	AQ0013557_2	Diffuser	-	1
3.3	AQ0013557_3	Diffuser press insert	-	1
3.4	AQ0013557_4	Insert M22x1 M M10x1 F	-	1
3.5	AQ0013557_5	OR Ø14 x Ø2	-	1
3.6	AQ0013557_6	Pipe Ø24 L.128	F	1
3.7	AQ0013557_7	M10x1M L.131.5	-	1
3.8	AQ0013557_8	Insert Ø24 G1/2" M M10x1F	F	1
4	AQ0018056	Flex chromalux snapon G1/2" F L1500 Silver	F	1





WE ARE IB

WARRANTY

All IB Rubinetterie SpA products are warranted for 10 years from the date of purchase, for the following cases:

- Defects of casting, porosity and chrome plating.
- Operating defects caused by incorrect fabrication.

The warranty provides for repair or replacement of products with fabrication defects recognized by our technical office. There is no other type of compensation anche the merchandise must be returned FOB our warehouse. The warranty only cover surface defects (scartches, dings, etc.) on fitting that have not been installed and used, returned in its original packaging with all components. O-ring, gasket seals and components subject to wear proportional to use are warranted for 2 years.

The warranty is void in the following cases:

Error installing and putting the product into service.

Deterioration of finished surfaces due to use of cleaning products containing acids or abrasive substances.

Deterioration of surface with finishes other than chrome plating. Their durability is, in fact, dependent on the user's care and gentleness of use.

Deterioration of the fitting due incorrect installation.

Improper repairs and maintenance performed without the company's prior authorization.

The warranty from IB Rubinetterie SpA is not renewable.

Cleaning

We recommended cleaning the finish surfaces with water and soap, using a soft cloth.

Do not use detergents that cointain hydrochloric acid or abrasive substances.