



WE ARE IB

Collection

WOW

Article

W0225

Description

Monohole bidet with two handles

Box Dimensions

220 x 290 x 80 mm

Weight

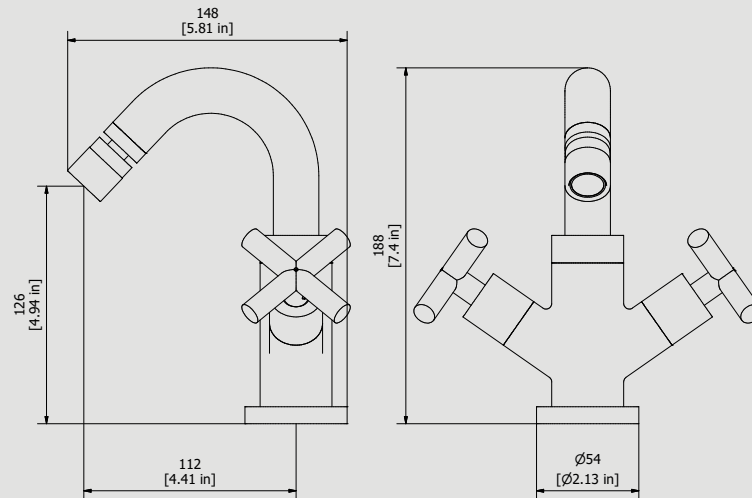
2 kg

Finishes

- **CC**
CHROME
- **CF**
BLACK CHROME
- **BG**
GLOSSY WHITE
- **NG**
GLOSSY BLACK
- **SS**
BRUSHED NICKEL
- **CS**
BRUSHED BLACK CHROME
- **BO**
MATT WHITE
- **NP**
MATT BLACK
- **OO**
GOLD
- **MB**
MODERN BRONZE
- **II**
PALE GOLD
- **RR**
ANTIQUE COPPER
- **ORS**
ROSE GOLD
- **ON**
NATURAL BRASS
- **IS**
BRUSHED PALE GOLD
- **OS**
BRUSHED GOLD
- **SR**
BRUSHED ROSE GOLD
- **PL**
PLATINUM



Dimensions



Cartridge

G1/2" ceramic cartridge

Hoses

Inox hoses G3/8" female 400 mms long

Aerator

M22x1

Flow Rate (+/-10%)

1 BAR	2 BAR	3 BAR
13 l/min	18 l/min	22 l/min

Production

Main body is a single casted pieces

Material

BRASS
According to CuZn35Pb2Al-B (CB752S)
Max Lead content: 1.36%

IB RUBINETTERIE s.p.a
via dei Pianotti 3/5
25068 Sarezzo (BS) - Italy -

T. +39 030 802101
F. +39 030 803097
info@weareib.it

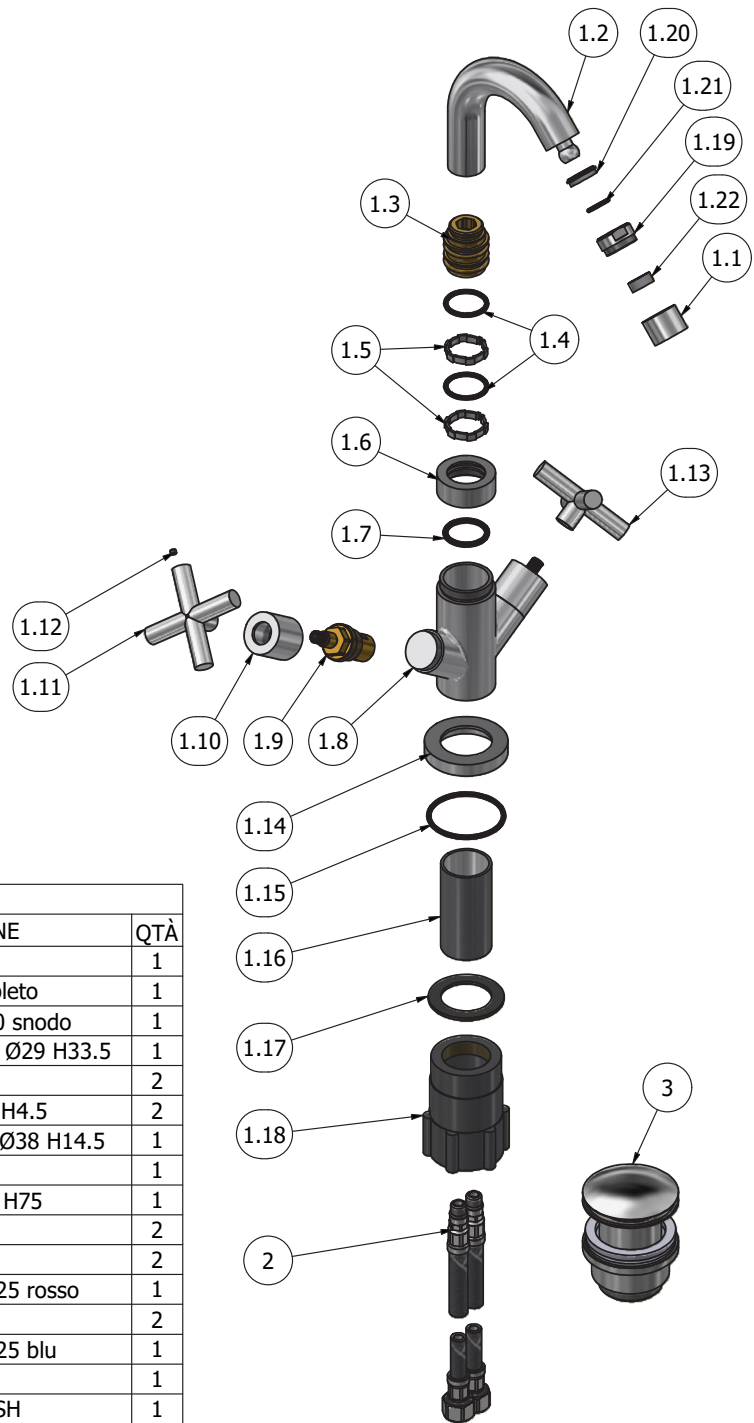
P.IVA 01785230986
capitale sociale
€420.000,00 i.v.

www.weareib.it





WE ARE IB



ELENCO PARTI

ELEMENTO	CODICE	DESCRIZIONE	QTÀ
1	AQ0014491	Esploso bidet completo	1
1.1	AQ0014491_1	Aeratore M22x1 Ccompleto	1
1.2	AQ0014491_3	Bocca a tubo Ø24 H100 snodo	1
1.3	AQ0014491_4	Raccordo bocca M22x1 Ø29 H33.5	1
1.4	AQ0014491_5	OR 24x2.5 NBR 70 SH	2
1.5	AQ0014491_6	Anello antifrizione Ø28 H4.5	2
1.6	AQ0014491_7	Ghiera fissaggio bocca Ø38 H14.5	1
1.7	AQ0014491_8	OR 24x3 NBR 70 SH	1
1.8	AQ0014491_9	Corpo miscelatore Ø28 H75	1
1.9	AQ0014491_10	Vitone ceramico G1/2"	2
1.10	AQ0014491_11	Copri vitone Ø28 H26	2
1.11	AQ0014491_12	Maniglia a croce L69 H25 rosso	1
1.12	AQ0014491_13	Grano inox M4x4 p.p.	2
1.13	AQ0014491_14	Maniglia a croce L69 H25 blu	1
1.14	AQ0014491_15	Basetta Ø54 H9	1
1.15	AQ0014491_16	OR 45.7x2.62 NBR 70 SH	1
1.16	AQ0014491_17	Inserto filettato M33x1.5 H65	1
1.17	AQ0014491_18	Guarnizione in gomma	1
1.18	AQ0014491_19	Dado fissaggio	1
1.19	AQ0014491_20	Snodo M22x1 CH.22	1
1.20	AQ0014491_21	Anello Teflon Ø19 con spacco	1
1.21	AQ0014491_22	OR 12x2 NBR 70 SH	1
1.22	AQ0014491_23	Anello Teflon Ø16 Ø11	1
2	AQ0000932	Flex inox M10x1 corto F3/8" L.400	2
3	AQ0009837	Scarico simple rapid 1"1/4	1



WE ARE IB

WARRANTY

All IB Rubinetterie SpA products are warranted for 10 years from the date of purchase, for the following cases:

- Defects of casting, porosity and chrome plating.
- Operating defects caused by incorrect fabrication.

The warranty provides for repair or replacement of products with fabrication defects recognized by our technical office. There is no other type of compensation anche the merchandise must be returned FOB our warehouse. The warranty only cover surface defects (scatches, dings, etc.) on fitting that have not been installed and used, returned in its original packaging with all components. O-ring, gasket seals and components subject to wear proportional to use are warranted for 2 years.

The warranty is void in the following cases:

Error installing and putting the product into service.

Deterioration of finished surfaces due to use of cleaning products containing acids or abrasive substances. Deterioration of surface with finishes other than chrome plating. Their durability is, in fact, dependent on the user's care and gentleness of use.

Deterioration of the fitting due incorrect installation.

Improper repairs and maintenance performed without the company's prior authorization.

The warranty from IB Rubinetterie SpA is not renewable.

Cleaning

We recommended cleaning the finish surfaces with water and soap, using a soft cloth.

Do not use detergents that cointain hydrochloric acid or abrasive substances.