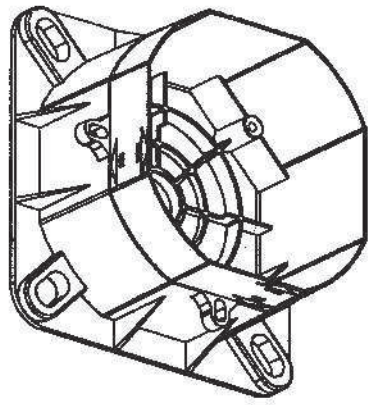
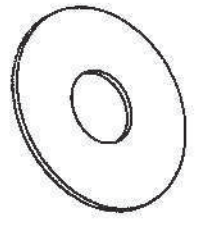


**CONTENUTO SCATOLA:
COMPONENTS:
COMPONENTS:
COMPONENTES:
INHALT:
组件:**



N° 1 SCATOLA PER INCASSO
BUILT IN BOX
BOITE D'ENCASSEMENT
EINBAU SCHACHTEL
嵌盒盖



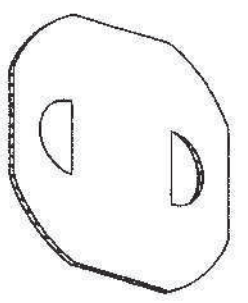
N° 1 RONDELLA
FLAT WASHER
RONDELLE
DISCO
SCHEIBE
垫片



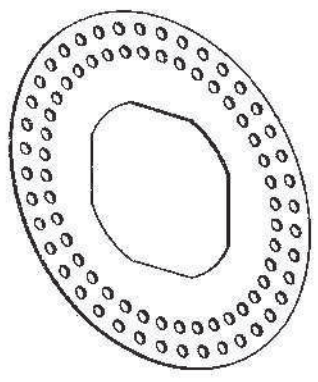
N° 1 RACCORROD 1/2"GM 1/4"GF
CONNECTION 1/2"GM 1/4"GF
RACCORR 1/2"GM 1/4"GF
CONEXION 1/2"GM 1/4"GF
VERBINDUNG 1/2"GM 1/4"GF
接头 1/2"GM 1/4"GF



N° 1 TAPPO 1/4"GM
CAP 1/4"GM
CAPSULE 1/4"GM
TAPON 1/4"GM
SCHRAUBERSCHLUSS 1/4"GM
堵头 1/4"GM



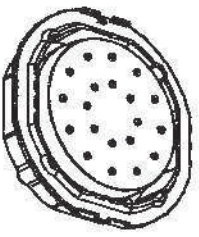
N° 1 COPERCHIO
COVER
COUVERCLE
TAPA
DECKEL
盖板



N° 1 Pastiglia di montaggio
MOUNTING PADS
MONTAGE PADS
Asientos de montaje
Montageschleiben
安装垫



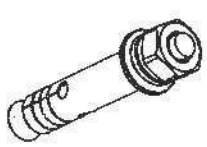
N° 1 RACCORROD 1/4"GM CON O-RING
CONNECTION 1/4"GM WITH O-RING
RACCORR 1/4"GM AVEC O-RING
CONEXION 1/4"GM
VERBINDUNG 1/4"GM MIT O-RING
接头 1/4"GM 带 O-RING



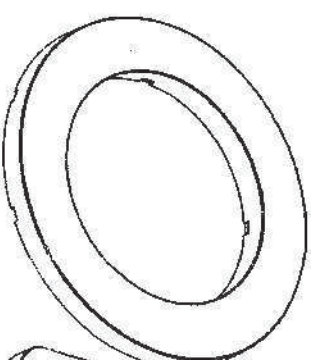
N° 1 EROGATORE
BODY JET
BODY JET
喷射主体



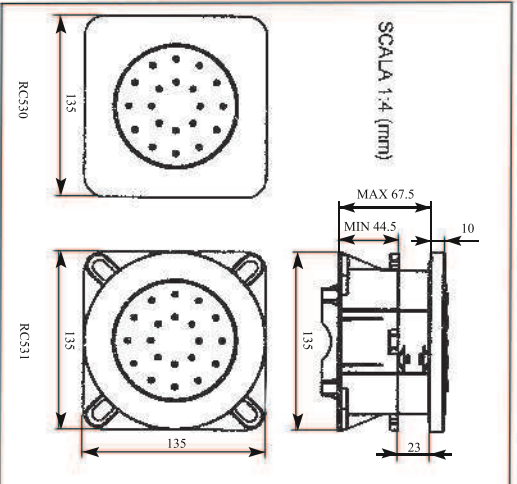
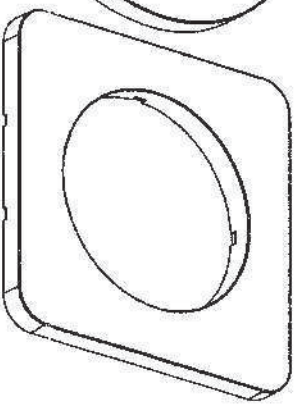
N° 8 VITI Ø4.2 x L38
SCREWS Ø4.2 x L38
VIS Ø4.2 x L38
TORILLLOS Ø4.2 x L38
SCHRAUBEN Ø4.2 x L38
自攻螺钉 Ø4.2 x L38



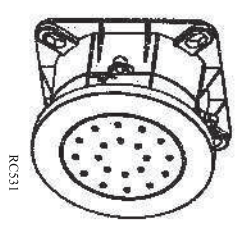
N° 4 BULLONI DI ESPANSIONE M8x60
EXPANSION BOLTS M8x60
EXPANSION BOUTLONNIER M8x60
pernos de expansi6n M8x60
DEHNSCHRAUBEN M8x60
膨胀螺栓 M8x60



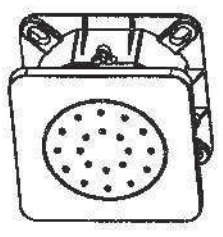
N° 1 ROSONE (Rondanda o quadrata)
ROSE (Round or square)
COUVERTURE (Ronde ou carré)
EMBELLECEODOR (Rondado o cuadrado)
ROSETTE (Rund oder rechteg)
装饰盖 (圆形或方形)



**MONTAGGIO FINALE:
MOUNTING:
MONTAGE FINALE:
MONTAJE FINAL:
FINALMONTAGE:
装配体:**



RC531



RC530

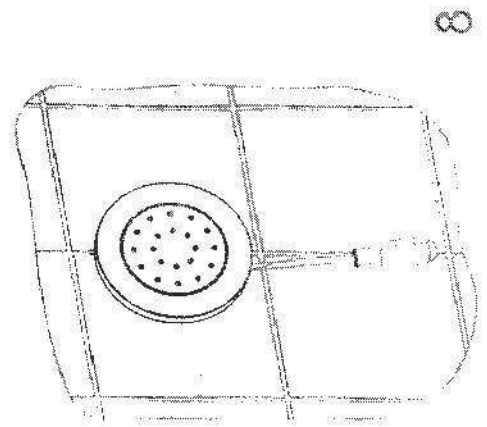
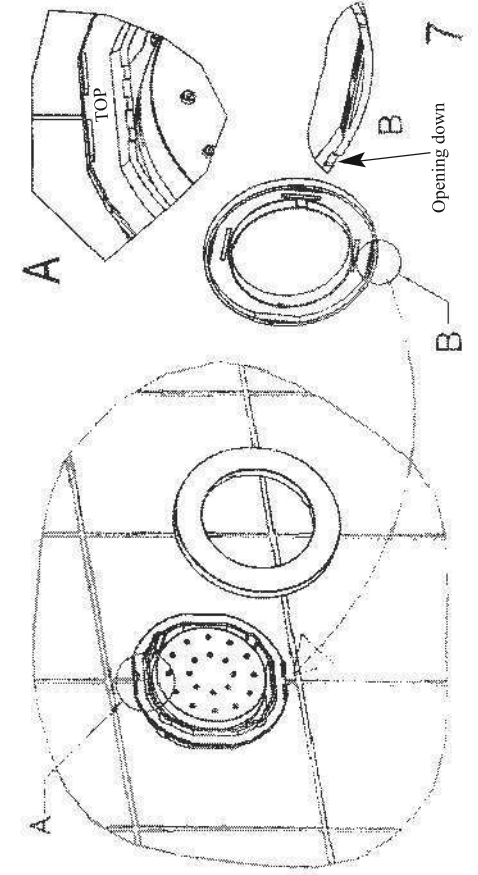
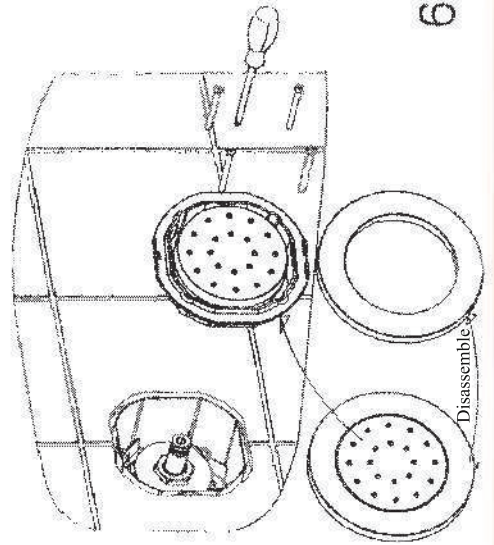
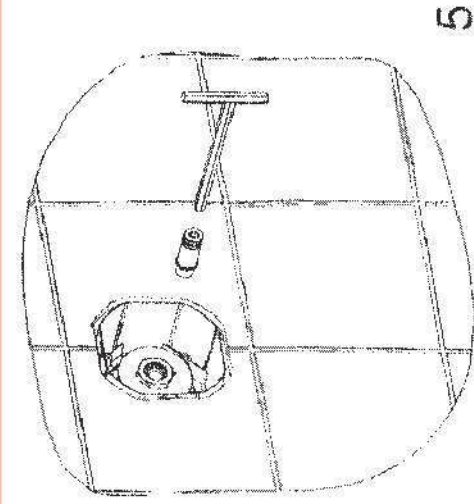
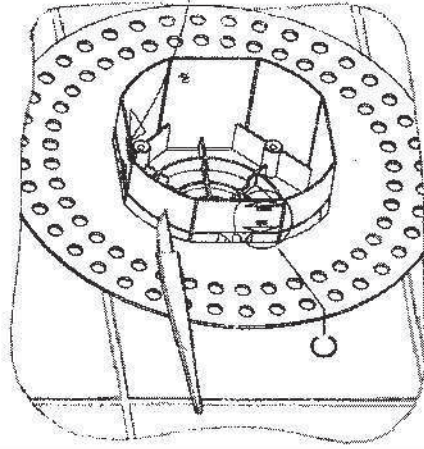
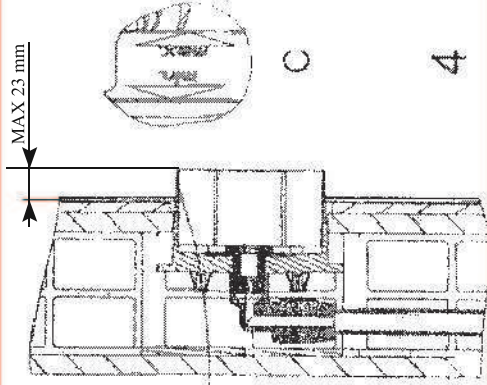
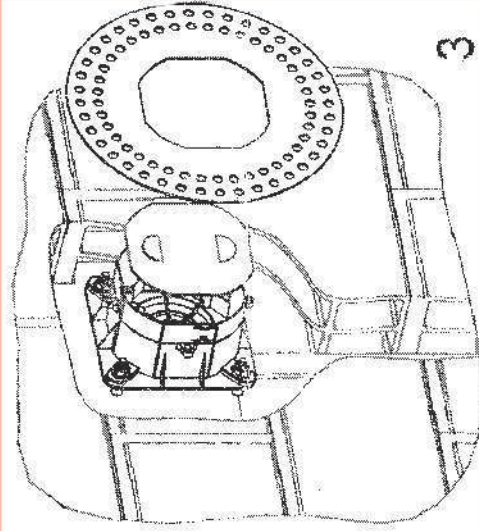
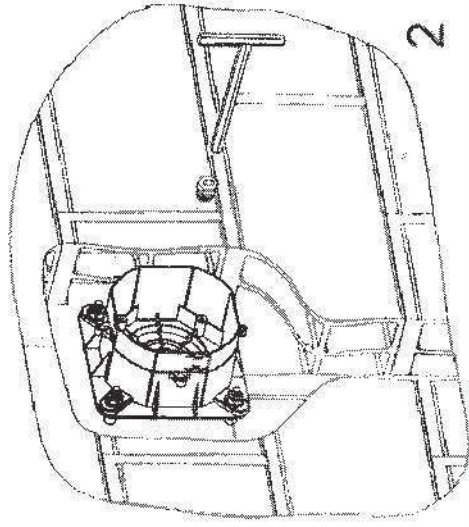
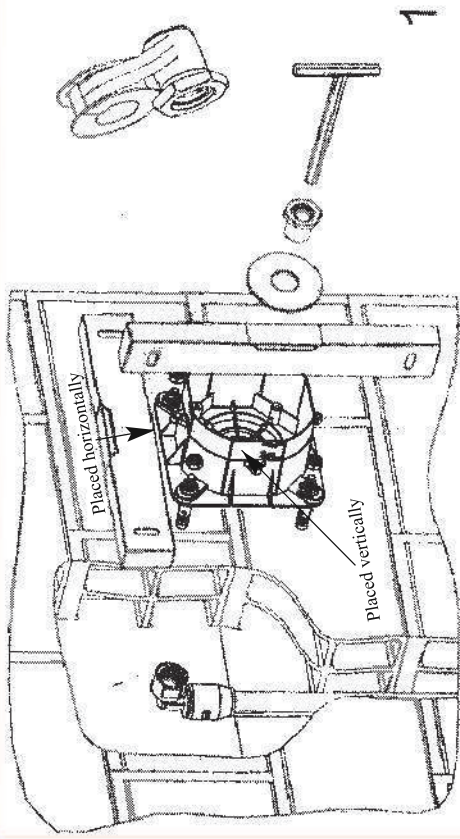
IMPORTANT
Pressure & Temperature Requirements:
* Hot and cold water final pressure should be equal.
* Final pressure range: 100-1000 PSI
* Max. Temp. at max. PSI: max. operating pressure: 200 PSI (max. operating pressure: 1500 PSI)
* Max. Temp. at max. PSI: max. operating pressure: 200 PSI (max. operating pressure: 1500 PSI)
* Maximum hot water temperature: 80°C

Italian design culture
B Rubertone S.p.A.
Via del Piano 35
22066 SAREZZO (BS) Italy
1602 Reg. Imp. 85 0176202668
R.E.A. BS 320207
Capitale Sociale € 420.000.000 i.v.
phone: +39 030 807011
fax: +39 030 802007
info@rubertone.it
www.rubertone.it

ISTRUZIONI DI MONTAGGIO:
 MOUNTING INSTRUCTIONS:
 INSTRUCTIONS DE MONTAGE:
 MONTAJE ANWEISUNGEN:

安装说明:

RC530
 RC531



Disassemble