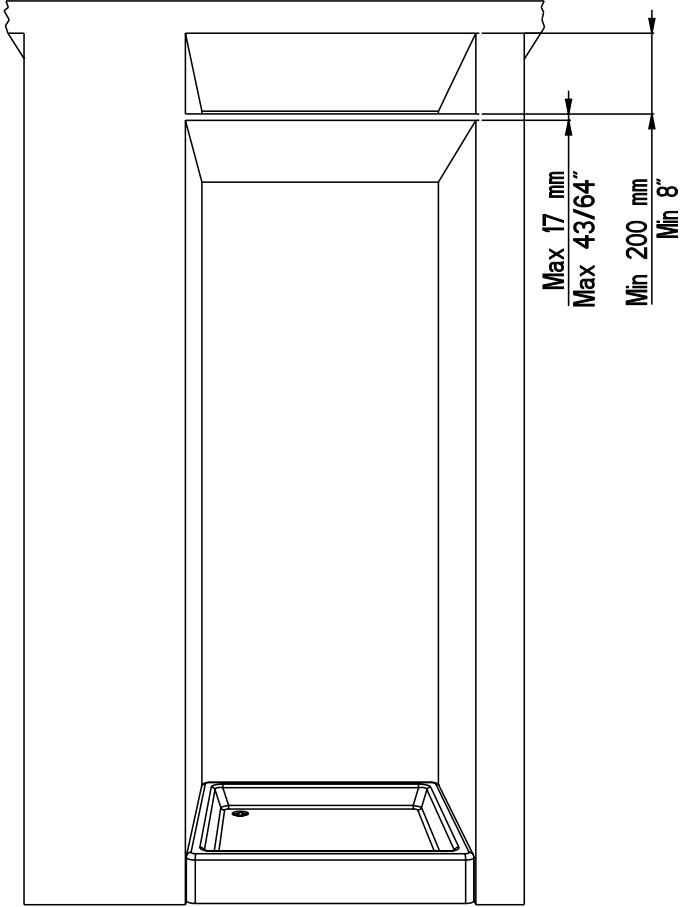


MA033

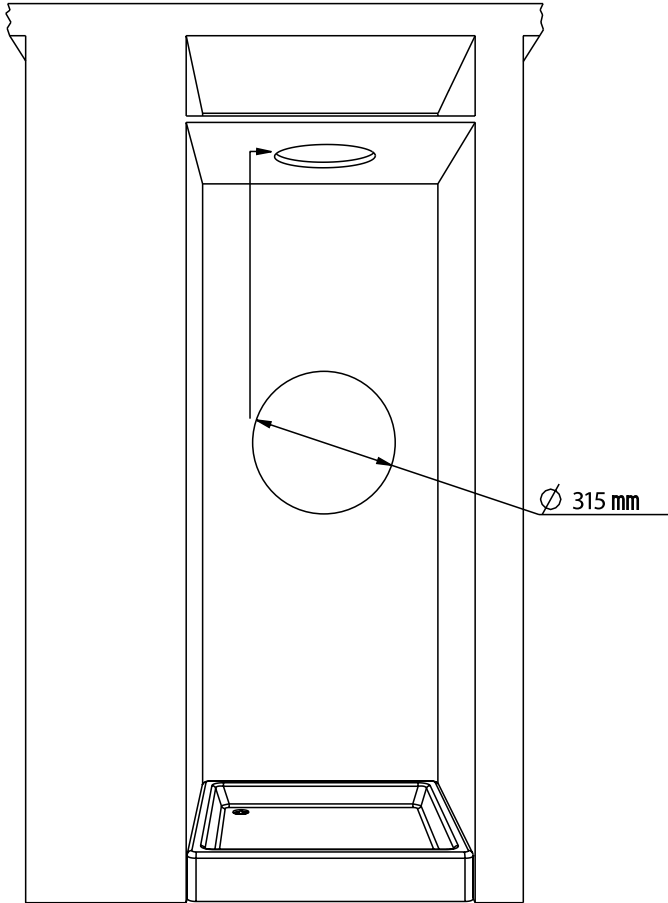
INSTALLATION INSTRUCTIONS
MONTAGEANLEITUNG
INSTRUCTIONS DE MONTAGE
ISTRUZIONI DI MONTAGGIO

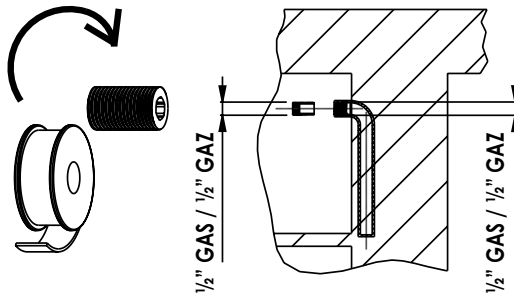
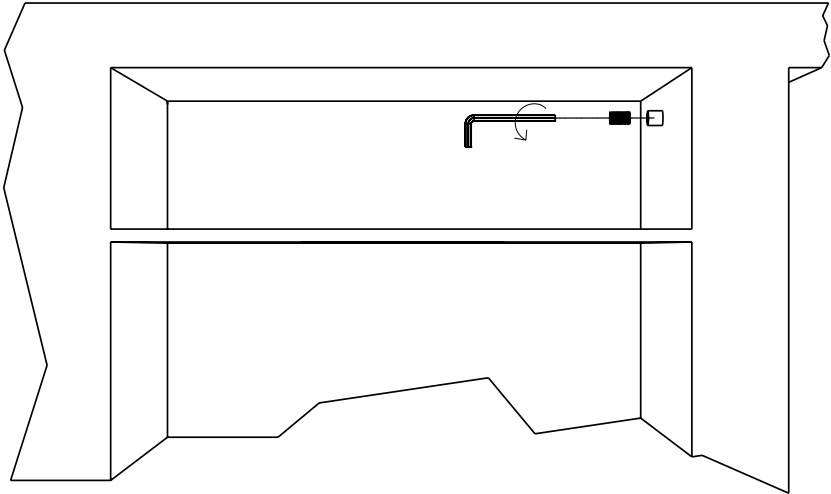


1

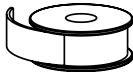


2

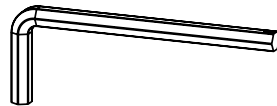


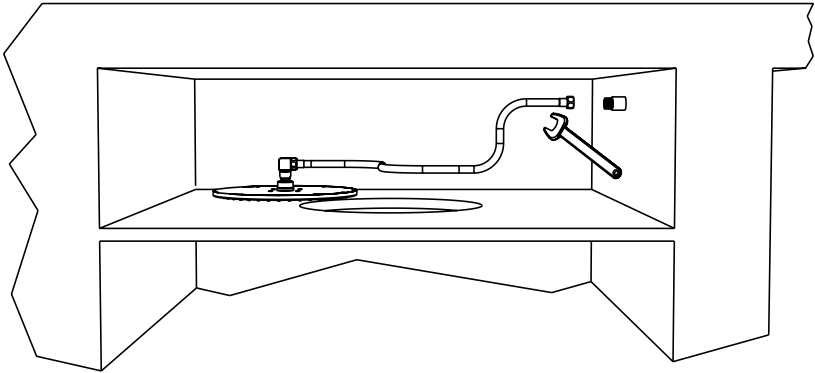


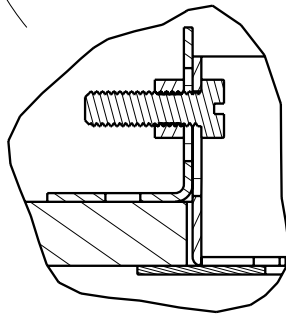
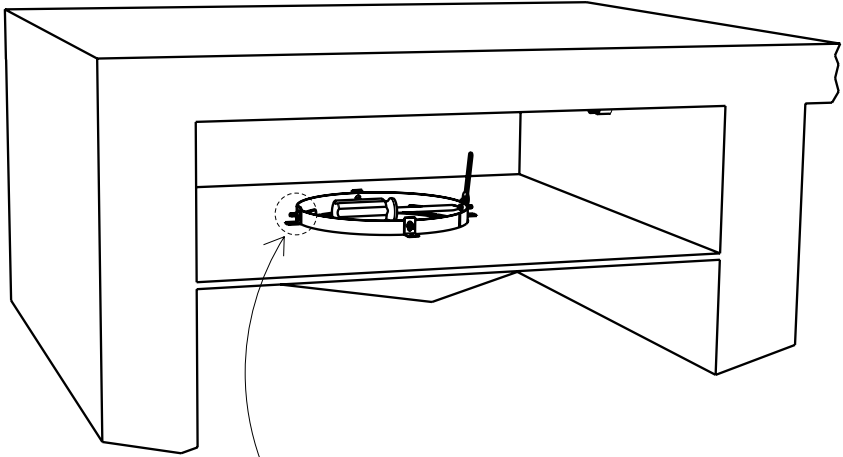
Nipples 1/2" gas
Nippel 1/2"
Embout 1/2"
Raccordo 1/2" Gas



PTFE Tape
PTFE-Band
Ruban PTFE
Nastro PTFE







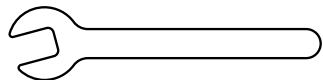
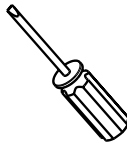
N°4

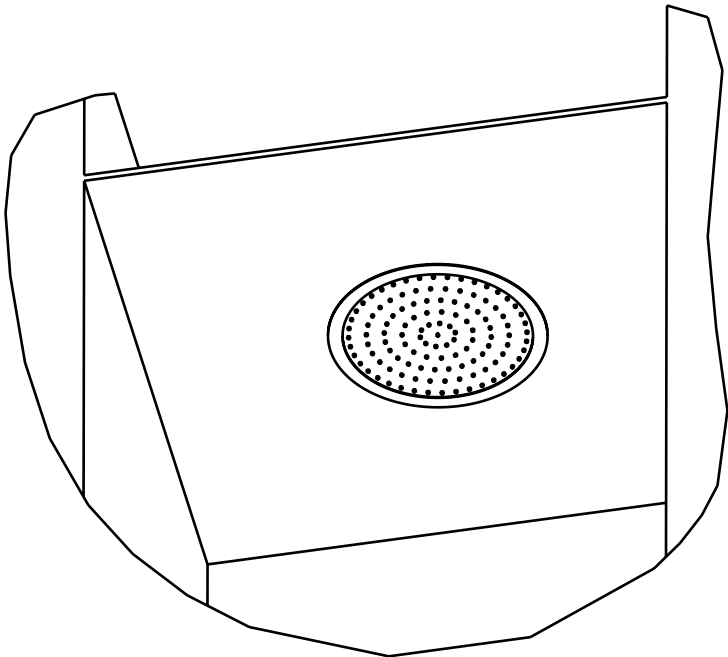
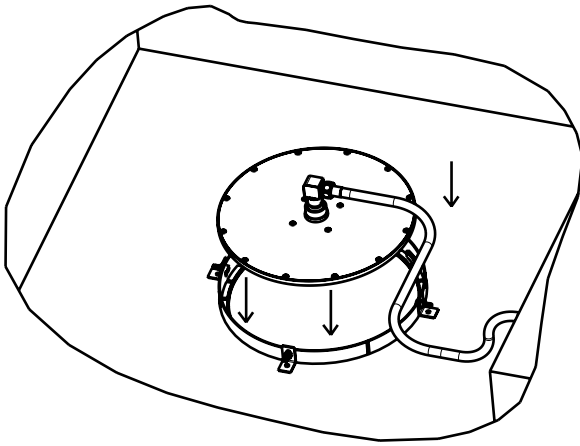


N°4



N°4





IMPORTANT

Pressure & Temperature Requirements.

- ❄ Hot and cold water inlet pressures should be equal.
- ❄ Inlet pressure range: 150-1000 kPa
- ❄ New Regulation: -500 kPa maximum operating pressure at any outlet within a building (Ref. AS/NZS 3500.1-2003, Clause 3.3.4)
- ❄ Maximum hot water temperature: 80°C.

IB RUBINETTERIE s.p.a
via dei Pianotti 3/5
25068 Sarezzo (BS) - Italy -
P.IVA 01785230986

ISCR. REG. IMPR.
BS 01785230986
R.E.A. BS 352087
capitale sociale €420.000,00 i.v.

T. +39 030 802101
F. +39 030 803097
info@ibrubinetti.it
WWW.IBRUBINETTI.IT



IB RUBINETTI