



WE ARE IB

Collection

TAAAC

Article

AA202

Description

Tall monohole washbasin mixer

Box Dimensions

340x180x70 mm

Weight

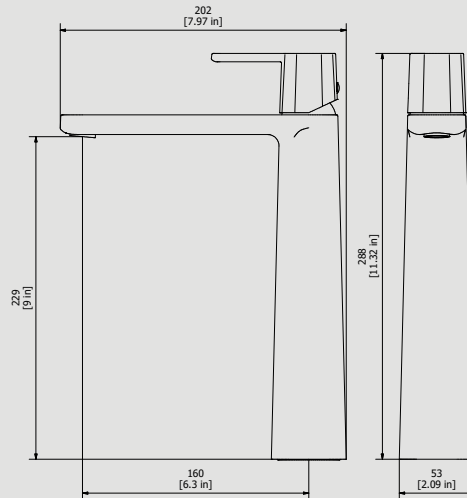
3 kg

Finishes

- **CC** CHROME
- **CF** BLACK CHROME
- **OO** GOLD
- **BB** ANTIQUE BRONZE
- **SS** BRUSHED NICKEL
- **CS** BRUSHED BLACK CHROME
- **BO** MATT WHITE
- **NP** MATT BLACK
- **IS** BRUSHED PALE GOLD
- **OS** BRUSHED GOLD
- **II** PALE GOLD
- **RR** ANTIQUE COPPER
- **ORS** ROSE GOLD
- **ON** NATURAL BRASS
- **SR** BRUSHED ROSE GOLD
- **PL** PLATINUM



Dimensions



Cartridge

Ø35 ceramic cartridge

Hoses

Inox hoses G3/8" female 400 mms long

Aerator

M24x1

Flow Rate (+/-10%)

1 BAR	2 BAR	3 BAR
4.5 l/min	5 l/min	5 l/min

Production

Main body is a single casted pieces

Material

BRASS
According to CuZn35Pb2AL-B (CB752S)
Max Lead content: 1.36%

IB RUBINETTERIE s.p.a
via dei Pianotti 3/5
25068 Sarezzo (BS) - Italy -

T. +39 030 802101
F. +39 030 803097
info@weareib.it

P.IVA 01785230986
capitale sociale
€420.000,00 i.v.

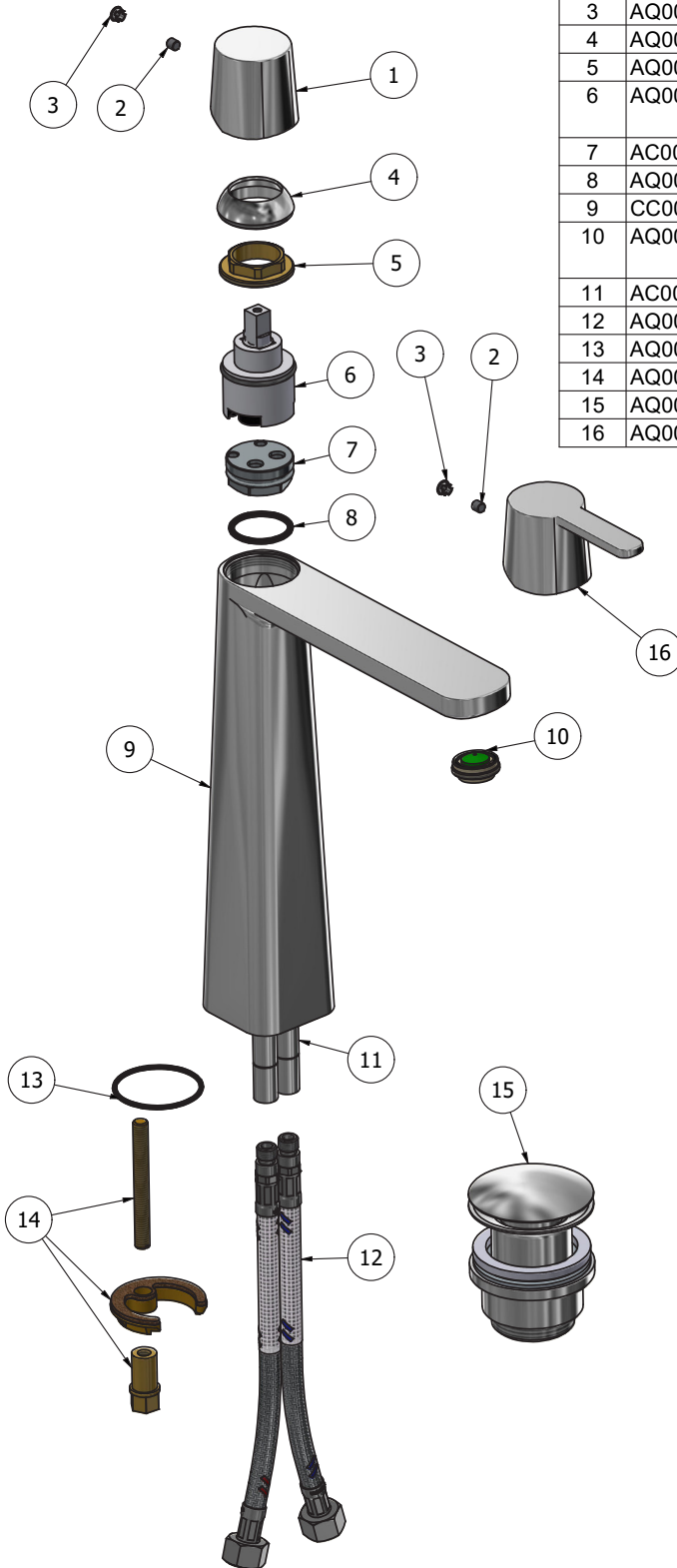
www.weareib.it





WE ARE IB

Parts list			
ELEM.	CODE	DESCRIPTION	QTÀ
1	AQ0015106	Handle Ø38 41.1x41.1 H42	1
2	AQ0001100	Grubscrew M5x5 flat point	2
3	AQ0006650	Plug cover Ø7	2
4	AQ0012068	Chromed cover nut Ø38,2 M37x1,5	1
5	AQ0001040	Cartridge ring nut M37x1.5 H9	1
6	AQ0015245	Ceramic cartridge Ø35 with distributor (ST190)	1
7	AC0010888	Connection piece Ø33.45 H15	1
8	AQ0008027	OR 26.65x2.62 NBR 70 SH	1
9	CC0002365	Mixer body H244 L201	1
10	AQ0013390	Perlator NP slim M24x1 1.5 GPM (40.8356.01)	1
11	AC0009685	Extension pipe Ø12 M10x1 F M10x1 M L200	2
12	AQ0000932	Flex inox M10x1 G3/8" L400	2
13	AQ0013363	OR 41x2 NBR 70 SH	1
14	AQ0013420	Fixing set	1
15	AQ0009837	Simple rapid waste 1"1/4	1
16	AQ0015170	Handle Ø38 41.1x41.1 H42 L89	1





WE ARE IB

WARRANTY

All IB Rubinetterie SpA products are warranted for 10 years from the date of purchase, for the following cases:

- Defects of casting, porosity and chrome plating.
- Operating defects caused by incorrect fabrication.

The warranty provides for repair or replacement of products with fabrication defects recognized by our technical office. There is no other type of compensation anche the merchandise must be returned FOB our warehouse. The warranty only cover surface defects (scartches, dings, etc.) on fitting that have not been installed and used, returned in its original packaging with all components. O-ring, gasket seals and components subject to wear proportional to use are warranted for 2 years.

The warranty is void in the following cases:

Error installing and putting the product into service.

Deterioration of finished surfaces due to use of cleaning products containing acids or abrasive substances.

Deterioration of surface with finishes other than chrome plating. Their durability is, in fact, dependent on the user's care and gentleness of use.

Deterioration of the fitting due incorrect installation.

Improper repairs and maintenance performed without the company's prior authorization.

The warranty from IB Rubinetterie SpA is not renewable.

Cleaning

We recommanded cleaning the finish surfaces with water and soap, using a soft cloth.

Do not use detergents that cointain hydrochloric acid or abrasive substances.