



WE ARE IB

Collection

**BOLD**

Article

**B1306**

Description

**Wall monted widespread lavatory faucet**

Box Dimensions

**370 x 270 x 80 mm**

Weight

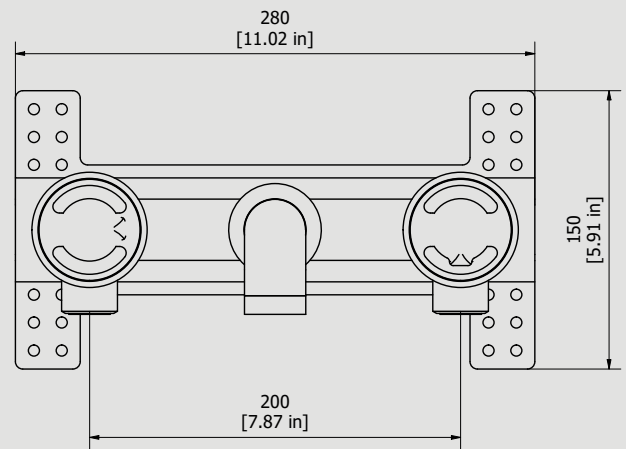
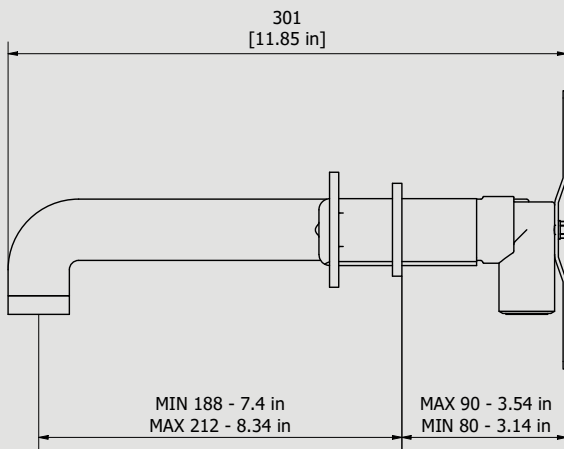
**2.4 kg**

Finishes

- **CC** CHROME
- **CF** BLACK CHROME
- **OO** GOLD
- **MB** MODERN BRONZE
- **SS** BRUSHED NICKEL
- **CS** BRUSHED BLACK CHROME
- **BO** MATT WHITE
- **NP** MATT BLACK
- **IS** BRUSHED PALE GOLD
- **OS** BRUSHED GOLD
- **II** PALE GOLD
- **RR** ANTIQUE COPPER
- **RS** ROSE GOLD
- **ON** NATURAL BRASS
- **SR** BRUSHED ROSE GOLD
- **PL** PLATINUM



Dimensions



Cartridge

**G1/2" ceramic cartridge**

Threaded fitting

**G1/2" female**

Aerator

**M24x1**

Flow Rate (+/-10%)

<b>1 BAR</b>	<b>2 BAR</b>	<b>3 BAR</b>
<b>3.3 l/min</b>	<b>4.4 l/min</b>	<b>4.5 l/min</b>

Production

**Main body is a single casted pieces**

Material

**BRASS**  
According to CuZn35Pb2Al-B (CB752S)  
Max Lead content: 1.36%

IB RUBINETTERIE s.p.a  
via dei Pianotti 3/5  
25068 Sarezzo (BS) - Italy -

T. +39 030 802101  
F. +39 030 803097  
info@weareib.it

P.IVA 01785230986  
capitale sociale  
€420.000,00 i.v.

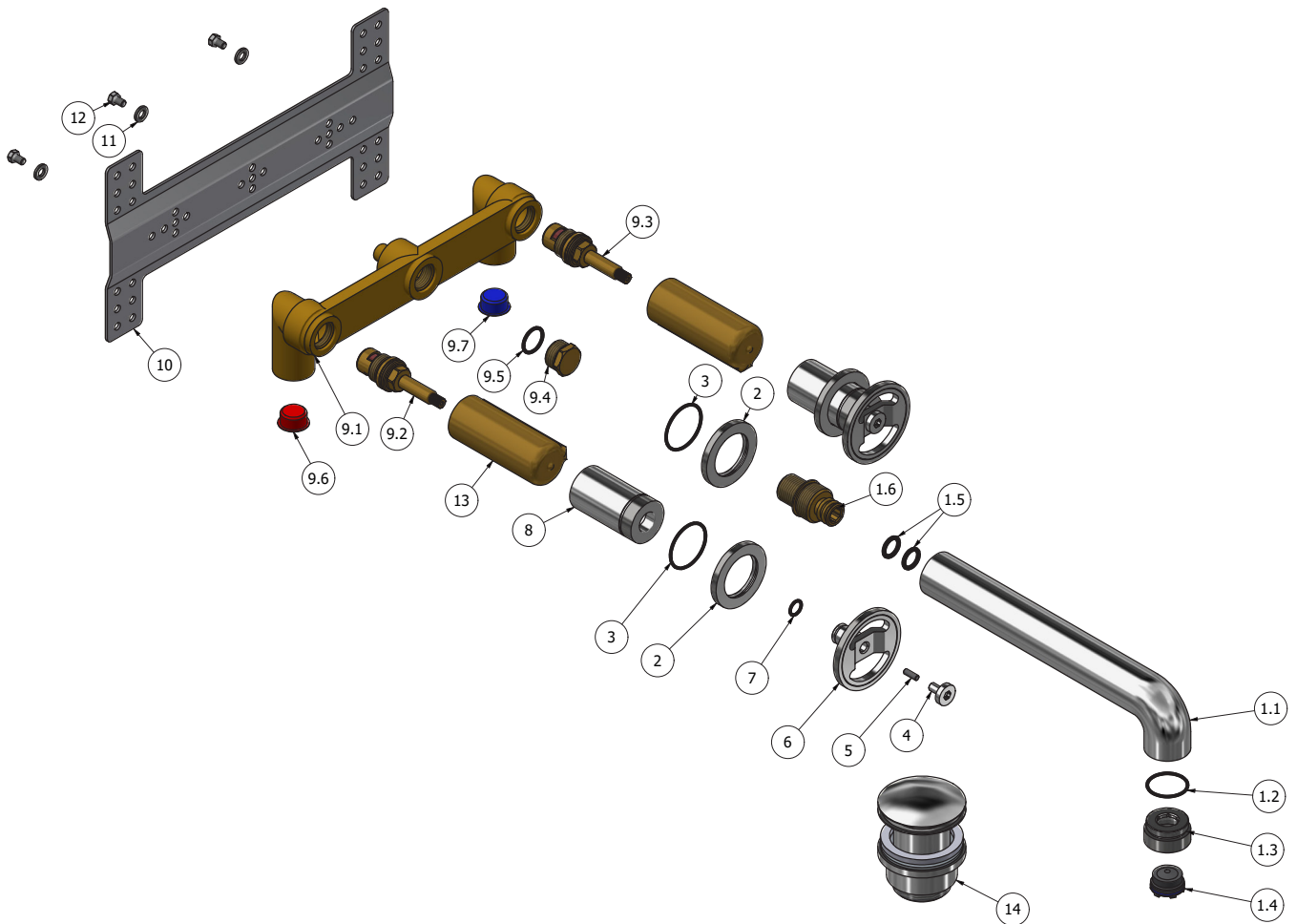
[www.weareib.it](http://www.weareib.it)





WE ARE IB

Parts list				
ITEMS	CODE	DESCRIPTION	FIN	QTA
1	CP2443CC-1	Preassembled spout	F	1
1.1	CC0002443	Spout Ø33 L246.5 Pb 0.2%	F	1
1.2	AQ0010564	OR 26.7x1.78 NBR 70 SH	-	1
1.3	AC0017717	Support for aerator Ø33 M30x1.5 H17 knurled	F	1
1.4	AQ0017304	Perlator cahcè laminar M24x1 1.5 GPM (40.2356.010)	-	1
1.5	AQ0001360	OR 11.91x2.62 NBR 70 SH	-	2
1.6	AS0016104	Spout-out insert G1/2" M G"3/4M L50	G	1
2	AC0015183	Ring Ø50 Ø33.5 H5 knurled	F	3
3	AQ0008026	OR 33.05x1.78 NBR 70 SH	-	3
4	AC0015171	Screw Ø16 M4 H16	F	2
5	AQ0014996	Grubscrew M4x12 flat point	-	2
6	CC0002277	Wheel Ø62 H30.5 8x20 knurled	F	2
7	AQ0004180	OR 9.25x1.78 NBR 70 SH	-	2
8	AC0012697	Ring Ø33 M24x1 H61 knurled	F	2
9	CPB1306-1	Preassembled recessed body	-	1
9.1	CT0001905	Recessed body 3 hole Int. 200 G1/2"	G	1
9.2	AQ0010529	Ceramic headwork 90° SX H38.5 8x20	-	1
9.3	AQ0010528	Ceramic headwork 90° DX H38.5 8x20	-	1
9.4	AQ0006680	Plug G1/2" M	G	1
9.5	AQ0009841	OR 17x2 NBR 70 SH	-	1
9.6	AQ0014537	Red thread's protecting cap Ø19	-	1
9.7	AQ0014538	Blu thread's protecting cap Ø19	-	1
10	AQ0009362	Inox plate 280x150	-	1
11	AQ0004650	Washer Ø6 ISO 7089 140 HV	-	3
12	AQ0009429	Inox screw M5x8 DIN933	-	3
13	AQ0010876	Carter Ø30	-	2
14	AQ0009837	Simple rapid waste 1"1/4	F	1





WE ARE **IB**

### WARRANTY

All IB Rubinetterie SpA products are warranted for 10 years from the date of purchase, for the following cases:

- Defects of casting, porosity and chrome plating.
- Operating defects caused by incorrect fabrication.

The warranty provides for repair or replacement of products with fabrication defects recognized by our technical office. There is no other type of compensation anche the merchandise must be returned FOB our warehouse. The warranty only cover surface defects (scartches, dings, etc.) on fitting that have not been installed and used, returned in its original packaging with all components. O-ring, gasket seals and components subject to wear proportional to use are warranted for 2 years.

#### **The warranty is void in the following cases:**

Error installing and putting the product into service.

Deterioration of finished surfaces due to use of cleaning products containing acids or abrasive substances.

Deterioration of surface with finishes other than chrome plating. Their durability is, in fact, dependent on the user's care and gentleness of use.

Deterioration of the fitting due incorrect installation.

Improper repairs and maintenance performed without the company's prior authorization.

The warranty from IB Rubinetterie SpA is not renewable.

#### **Cleaning**

We recommended cleaning the finish surfaces with water and soap, using a soft cloth.

Do not use detergents that cointain hydrochloric acid or abrasive substances.