



IB RUBINETTI

Collection

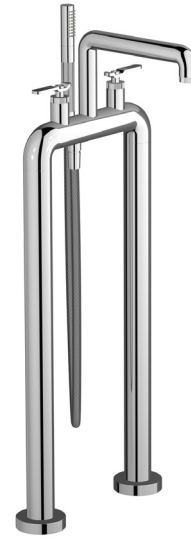
BOLD

Article

B2700

Description

Free-standing two columns bath filler



Box Dimensions

1020 x 480 x 120 mm

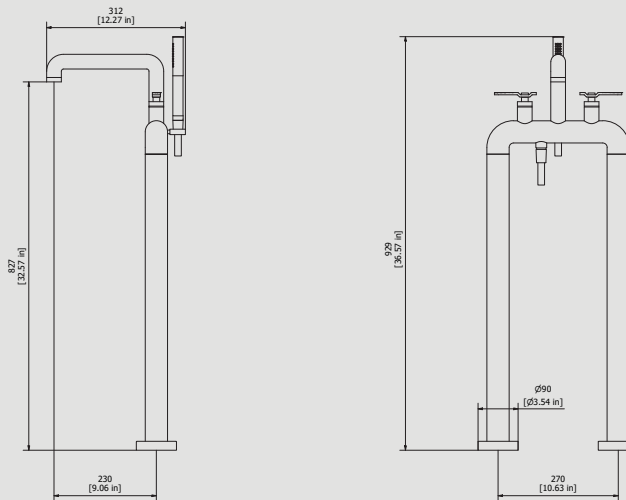
Weight

12.8 kg

Finishes

- **CC** CHROME
- **CF** BLACK CHROME
- **OO** GOLD
- **MB** MODERN BRONZE
- **SS** BRUSHED NICKEL
- **CS** BRUSHED BLACK CHROME
- **BO** MATT WHITE
- **NP** MATT BLACK
- **IS** BRUSHED PALE GOLD
- **OS** BRUSHED GOLD
- **II** PALE GOLD
- **RR** ANTIQUE COPPER
- **RS** ROSE GOLD
- **ON** NATURAL BRASS
- **SR** BRUSHED ROSE GOLD
- **PL** PLATINUM

Dimensions



Cartridge

G1/2" ceramic cartridge

Threaded fitting

G1/2" female

Aerator

M24x1

Flow Rate (+/-10%)

1 BAR	2 BAR	3 BAR
24.5 l/min	34.6 l/min	43 l/min

Production

Main body is a single casted pieces

Material

BRASS
According to CuZn35Pb2Al-B (CB752S)
Max Lead content: 1.36%

IB RUBINETTERIE s.p.a
via dei Pianotti 3/5
25068 Sarezzo (BS) - Italy -

T. +39 030 802101
F. +39 030 803097
info@ibrubinetterie.it

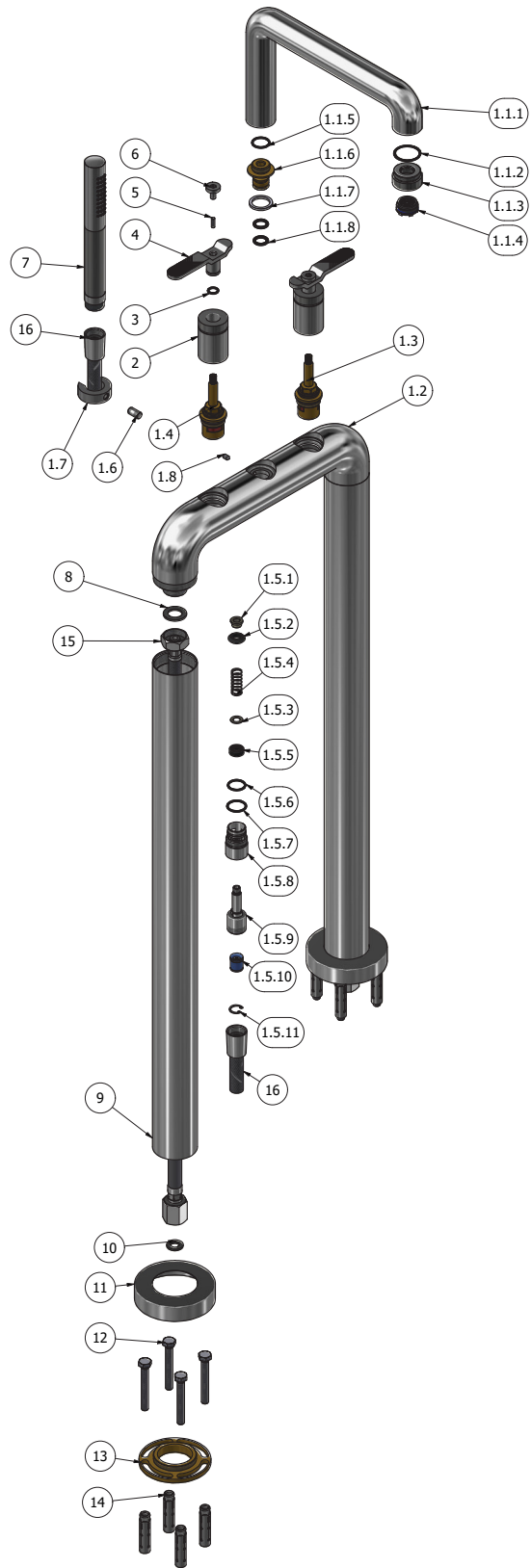
P.IVA 01785230986
capitale sociale
€420.000,00 i.v.

WWW.IBRUBINETTI.IT





IB RUBINETTI



Parts list				
ITEMS	CODE	DESCRIPTION	FIN	QTA
1	CPB1399CC-1	Pre-assembled body	F	1
1.1	CPB1399CC-1A	Pre-assembled body spout	F	1
1.1.1	CC0002335	Spout Ø33 H157 L263	F	1
1.1.2	AQ0010564	OR 26.7x1.78 NBR 70 SH	-	1
1.1.3	AC0017717	Support for aerator Ø33 M30x1.5 H17 knurled	F	1
1.1.4	AQ0010587	Perlator cahcè M24x1 antispash (40.9300.010)	-	1
1.1.5	AQ0004630	OR 17.16x1.78 NBR 70 SH	-	1
1.1.6	AS0015161	Insert for spout Ø30 G1/2" L30.4	G	1
1.1.7	AQ0007140	Antifriction ring Ø26 Ø20.3 H2.5	-	1
1.1.8	AQ0001360	OR 11.91x2.62 NBR 70 SH	-	2
1.2	CC0002360	Body Ø50 H100 L320	F	1
1.3	AQ0013449	Ceramic headwork G3/4" 8x20	-	1
1.4	AQ0015173	Ceramic headwork G3/4" 8x20 SX red	-	1
1.5	DEV24CCXN-19	Complete diverter M24x1 G1/2"	F	1
1.5.1	AN0010832	Biconic insert M8x1 H7 CH13	N	1
1.5.2	AQ0010990	Biconic packing Ø19xØ10.5x5.5	-	1
1.5.3	AN0010886	Washer Ø13.8xØ8.1x0.7	N	1
1.5.4	AQ0010991	Spring Ø12 H29.5	-	1
1.5.5	AQ0010992	Diverter rod packing	-	1
1.5.6	AQ0004630	OR 17.16x1.78 NBR 70 SH	-	1
1.5.7	AQ0004640	OR 18.77x1.78 NBR 70 SH	-	1
1.5.8	AC0010833	Diverter body M24x1 H36.2	F	1
1.5.9	AC0013071	Rod with connection for diverter G1 / 2 " place vnr	F	1
1.5.10	AQ0009090	Not return valve Ø14 (31.4114.00001)	-	1
1.5.11	AQ0015793	Seeger DIN 472 - 15x1	-	1
1.6	AC0011435	Rod M8x1 H15	F	1
1.7	AC0010597	Shower support	F	1
1.8	AQ0010869	Grubscrew M5x8 cone point	-	1
2	AC0015181	Bell Ø33 H51 M24x1 knurled	F	2
3	AQ0004180	OR 9.25x1.78 NBR 70 SH	-	2
4	CC0002284	Handle 18 L94 H30.5 8x20	F	2
5	AQ0014996	Grubscrew M4x12 flat point	-	2
6	AC0015171	Screw Ø16 M4 H16	F	2
7	AQ0015375	Union shower Ø23	F	1
8	AQ0001600	Gasket 24x16x2 G3/4"	-	2
9	AC0015182	Pipe Ø50 M48x1.5 H660	F	2
10	AQ0003080	Rubber G1/2"	-	2
11	AC0012643	Carter Ø90 H15	F	2
12	AQ0015834	Inox screw M8x60 DIN933	-	8
13	AS0012648	Flange Ø80 H11 M48x1.5	G	2
14	AQ0009546	Inox rawplug M8 Ø12 L50	-	8
15	AQ0015391	Inox hose G3/4" F G1/2" F L680	-	2
16	AQ0018056	Flex snapon G1/2" F L150cm Silver	F	1



WARRANTY

All IB Rubinetterie SpA products are warranted for 10 years from the date of purchase, for the following cases:

- Defects of casting, porosity and chrome plating.
- Operating defects caused by incorrect fabrication.

The warranty provides for repair or replacement of products with fabrication defects recognized by our technical office. There is no other type of compensation anche the merchandise must be returned FOB our warehouse. The warranty only cover surface defects (scartches, dings, etc.) on fitting that have not been installed and used, returned in its original packaging with all components. O-ring, gasket seals and components subject to wear proportional to use are warranted for 2 years.

The warranty is void in the following cases:

Error installing and putting the product into service.

Deterioration of finished surfaces due to use of cleaning products containing acids or abrasive substances.

Deterioration of surface with finishes other than chrome plating. Their durability is, in fact, dependent on the user's care and gentleness of use.

Deterioration of the fitting due incorrect installation.

Improper repairs and maintenance performed without the company's prior authorization.

The warranty from IB Rubinetterie SpA is not renewable.

Cleaning

We recommended cleaning the finish surfaces with water and soap, using a soft cloth.

Do not use detergents that cointain hydrochloric acid or abrasive substances.