



WE ARE IB

Collection

BATLO'

Article

BI200

Description

Monohole washbasin mixer complete with drain

Box Dimensions

340x180x70 mm

Weight

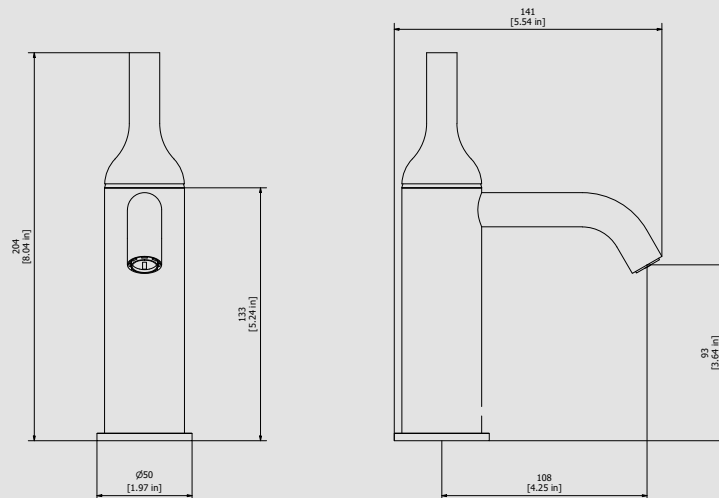
1.7 kg

Finishes

- **CC**
CHROME
- **PL**
PLATINUM
- **SS**
BRUSHED
NICKEL
- **ON**
NATURAL
BRASS
- **BO**
MATT
WHITE
- **NP**
MATT
BLACK
- **CF**
BLACK
CHROME
- **CS**
BRUSHED
BLACK
CHROME
- **II**
PALE
GOLD
- **IS**
BRUSHED
PALE GOLD
- **RS**
ROSE
GOLD
- **SR**
BRUSHED
ROSE GOLD
- **OO**
GOLD
- **OS**
BRUSHED
GOLD
- **RR**
ANTIQUÉ
COPPER
- **BB**
ANTIQUÉ
BRONZE
- **MB**
MODERN
BRONZE



Dimensions



Cartridge

Ø25 ceramic cartridge

Threaded fitting

Flex inox M8x1 G3/8" L450

Aerator

M16.5x1

Flow Rate (+/-10%)

1 BAR	2 BAR	3 BAR
3 l/m	3.8 l/m	3.8 l/m

Production

Main body is a single casted pieces

Material

BRASS
According to CuZn42 (CW510L)
Max Lead content: 0.2%

IB RUBINETTERIE s.p.a
via dei Pianotti 3/5
25068 Sarezzo (BS) - Italy -

T. +39 030 802101
F. +39 030 803097
info@weareib.it

P.IVA 01785230986
capitale sociale
€420.000,00 i.v.

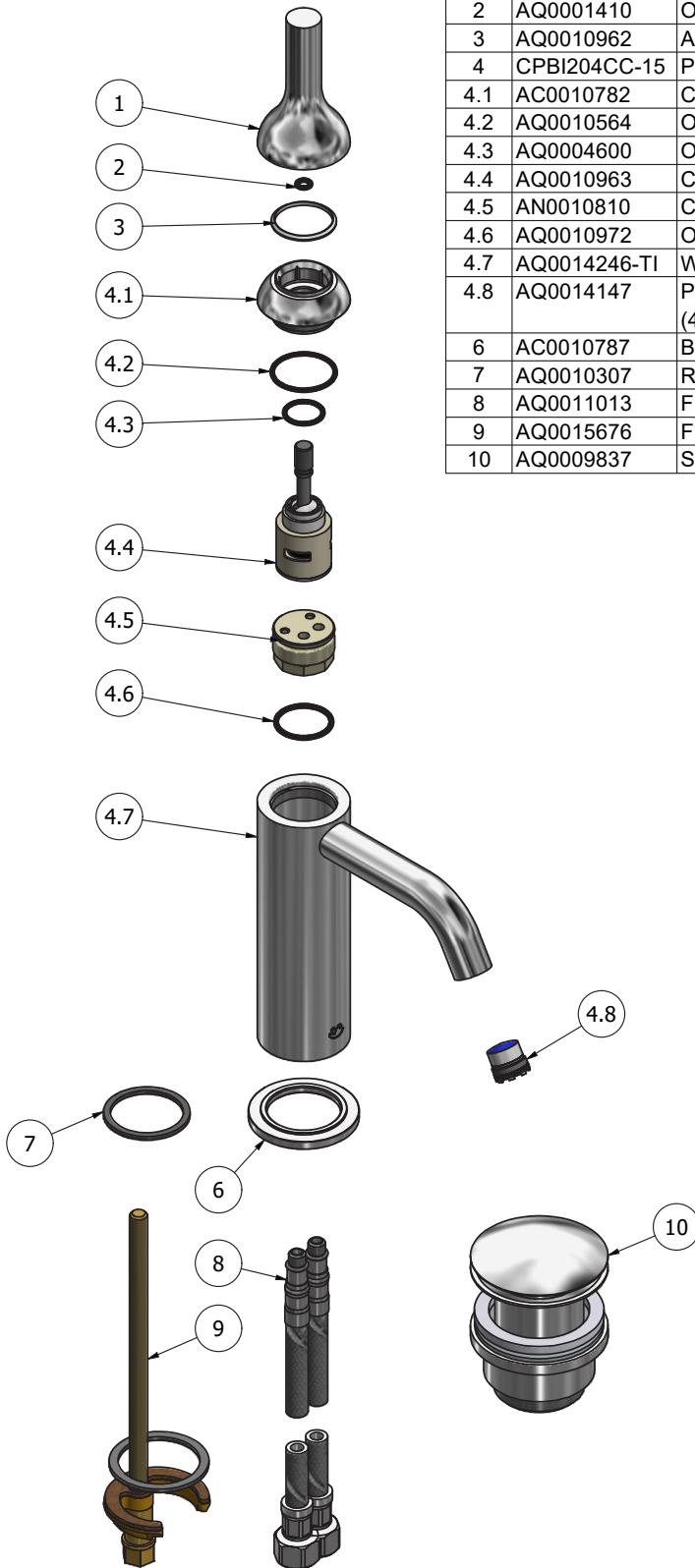
www.weareib.it





WE ARE IB

Parts list				
ITEMS	CODE	DESCRIPTION	FIN	QTA
1	AQ0010957	Lever Ø42 Ø16 H70 M8	F	1
2	AQ0001410	OR 4.2x1.9 NBR 70 SH	-	1
3	AQ0010962	Antifriction ring Ø29.5 Ø26.2 H1.9	-	1
4	CPBI204CC-15	Preassembled basin mixer medium	F	1
4.1	AC0010782	Cartridge fixing nut M30x1 H21.45 Ø42	F	1
4.2	AQ0010564	OR 26.7x1.78 NBR 70 SH	-	1
4.3	AQ0004600	OR 15.6x1.78 NBR 70 SH	-	1
4.4	AQ0010963	Ceramic cartridge Ø25 open	-	1
4.5	AN0010810	Connection piece Ø27X18	N	1
4.6	AQ0010972	OR 23x2 NBR 70 SH	-	1
4.7	AQ0014246-TI	Welded body Ø42 H129 with logo	F	1
4.8	AQ0014147	Perlator PCA cachè laminar 1 GPM (44.3358.010)	-	1
6	AC0010787	Base Ø5 H5	F	1
7	AQ0010307	Rubber packing Ø39 Ø33 H2	-	1
8	AQ0011013	Flex inox M8x1 G3/8" L450	-	2
9	AQ0015676	Fixing set	-	1
10	AQ0009837	Simple rapid waste 1"1/4	F	1





WE ARE IB

WARRANTY

All IB Rubinetterie SpA products are warranted for 10 years from the date of purchase, for the following cases:

- Defects of casting, porosity and chrome plating.
- Operating defects caused by incorrect fabrication.

The warranty provides for repair or replacement of products with fabrication defects recognized by our technical office. There is no other type of compensation anche the merchandise must be returned FOB our warehouse. The warranty only cover surface defects (scartches, dings, etc.) on fitting that have not been installed and used, returned in its original packaging with all components. O-ring, gasket seals and components subject to wear proportional to use are warranted for 2 years.

The warranty is void in the following cases:

Error installing and putting the product into service.

Deterioration of finished surfaces due to use of cleaning products containing acids or abrasive substances.

Deterioration of surface with finishes other than chrome plating. Their durability is, in fact, dependent on the user's care and gentleness of use.

Deterioration of the fitting due incorrect installation.

Improper repairs and maintenance performed without the company's prior authorization.

The warranty from IB Rubinetterie SpA is not renewable.

Cleaning

We recommended cleaning the finish surfaces with water and soap, using a soft cloth.

Do not use detergents that cointain hydrochloric acid or abrasive substances.