



# IB RUBINETTI

Collection

## BELMONDO

Article

### BL300

Description

**Exposed parts for manual wall mixer**

**Built-in body to be purchased separately INC300**

Box Dimensions

**150 x 190 x 98 mm**

Weight

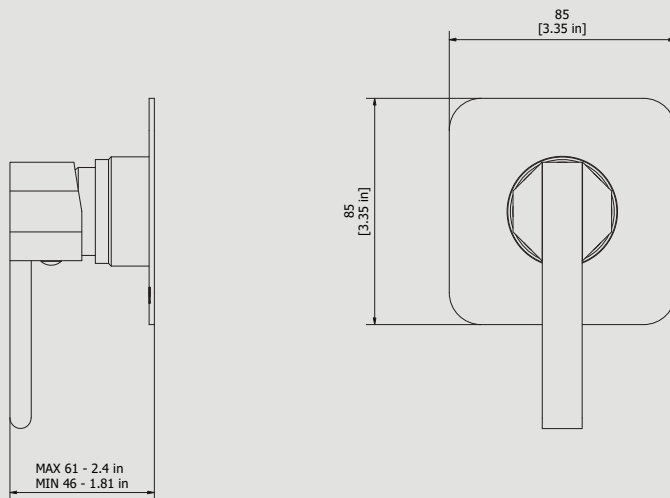
**1.8 kg**



Finishes

- **CC**  
CHROME
- **CF**  
BLACK CHROME
- **OO**  
GOLD
- **BB**  
ANTIQUE BRONZE
- **SS**  
BRUSHED NICKEL
- **CS**  
BRUSHED BLACK CHROME
- **BO**  
MATT WHITE
- **ONP**  
MATT BLACK
- **IS**  
BRUSHED PALE GOLD
- **OS**  
BRUSHED GOLD
- **II**  
PALE GOLD
- **RR**  
ANTIQUE COPPER
- **RS**  
ROSE GOLD
- **ON**  
NATURAL BRASS
- **SR**  
BRUSHED ROSE GOLD
- **PL**  
PLATINUM
- **MB**  
MODERN BRONZE

Dimensions



Ceramic cartridge

**Ø35 ceramic cartridge**

Threaded fitting

Aerator

Flow Rate (+/-10%)

<b>1 BAR</b>	<b>2 BAR</b>	<b>3 BAR</b>
<b>11.5 l/min</b>	<b>18.3 l/min</b>	<b>20 l/min</b>

Production

**Main body is a machined from a solid pieces**

Material

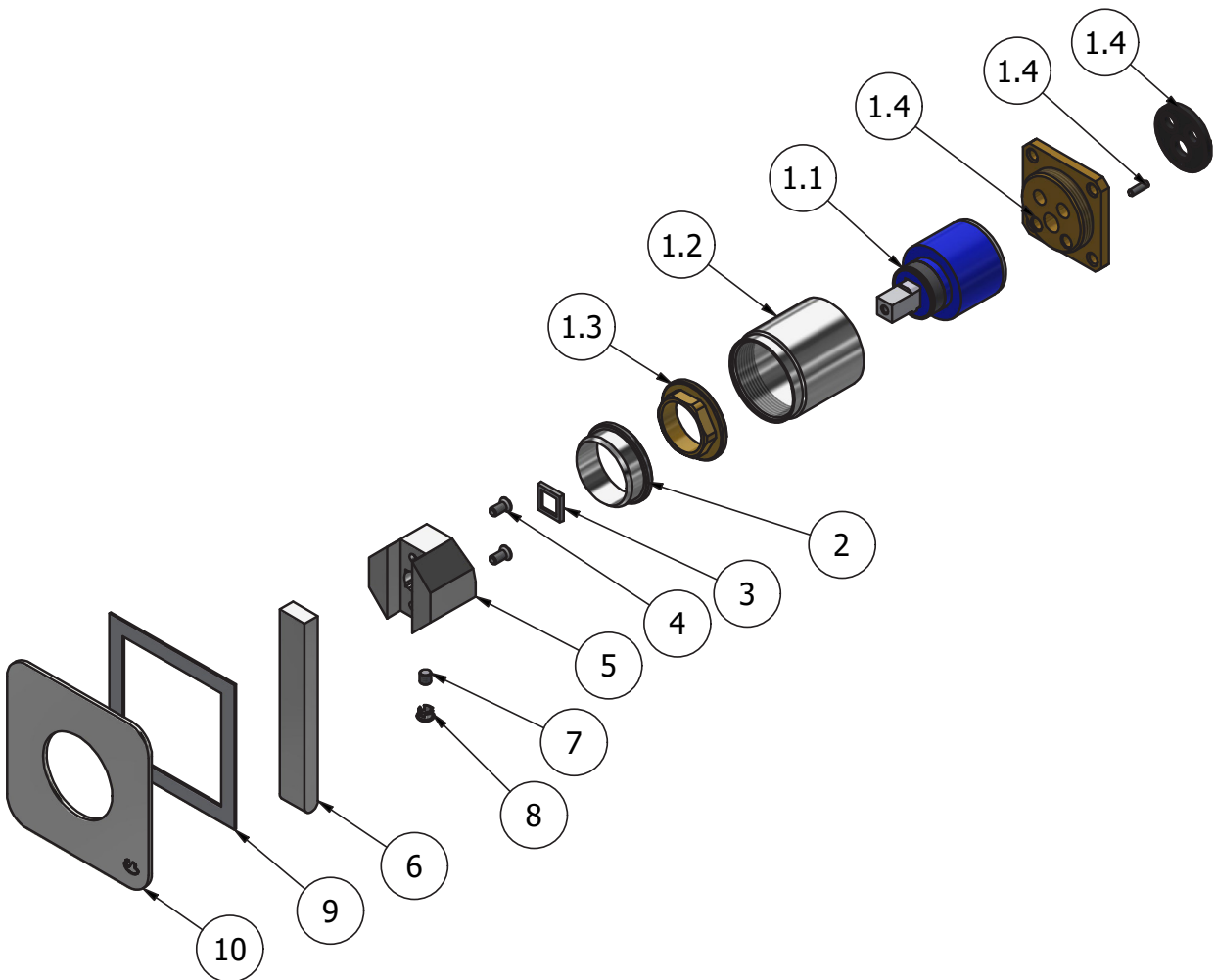
**BRASS**  
According to CuZn39Pb3 (CW614N)  
Max Lead content: 2.5%





# IB RUBINETTI

Parts list				
ITEMS	CODE	DESCRIPTION	FIN	QTÀ
1	CPIN206CC-69	Mixer 47x47 recessed	-	1
1.1	AQ0004095	Ceramic cartridge Ø35 9x9 (K35A)	-	1
1.2	AC0011079	Seat-ring for cartridge Ø41 Ø39 M37x1,5 H40,7	F	1
1.3	AQ0001040	Cartridge ring nut M37x1.5 H9	G	1
1.4	CP13040XXN_1	Inserto 47x47	-	1
2	AC0011513	Cover nut M37x1.5 Ø33 H12.5	F	1
3	AQ0013035	Square spacer 13,5x13,5x2	G	1
4	AQ0010280	Inox screw M4X8,5	-	2
5	AC0011467	Handle H27 octagonal 37	F	1
6	AC0011468	Rectangular lever 15x8 H100	F	1
7	AQ0001100	Grubscrew M5x5 flat point	-	1
8	AQ0006650	Plug cover Ø7	F	1
9	AQ0015829	Rubber packing double-sided tape 75x75x8x1	-	1
10	AC0013100-TI	Plate 85x85x2	F	1





### **WARRANTY**

All IB Rubinetterie SpA products are warranted for 10 years from the date of purchase, for the following cases:

- Defects of casting, porosity and chrome plating.
- Operating defects caused by incorrect fabrication.

The warranty provides for repair or replacement of products with fabrication defects recognized by our technical office. There is no other type of compensation anche the merchandise must be returned FOB our warehouse. The warranty only cover surface defects (scartches, dings, etc.) on fitting that have not been installed and used, returned in its original packaging with all components. O-ring, gasket seals and components subject to wear proportional to use are warranted for 2 years.

#### **The warranty is void in the following cases:**

Error installing and putting the product into service.

Deterioration of finished surfaces due to use of cleaning products containing acids or abrasive substances.

Deterioration of surface with finishes other than chrome plating. Their durability is, in fact, dependent on the user's care and gentleness of use.

Deterioration of the fitting due incorrect installation.

Improper repairs and maintenance performed without the company's prior authorization.

The warranty from IB Rubinetterie SpA is not renewable.

#### **Cleaning**

We recommanded cleaning the finish surfaces with water and soap, using a soft cloth.

Do not use detergents that cointain hydrochloric acid or abrasive substances.