



# IB RUBINETTI

Collection

## BELMONDO

Article

### BL306

Description

Wall mounted widespread lavatory faucet

Box Dimensions

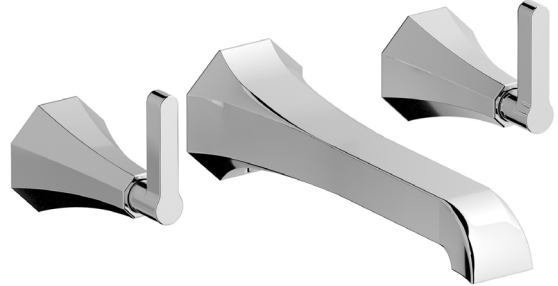
265 x 260 x 70 mm

Weight

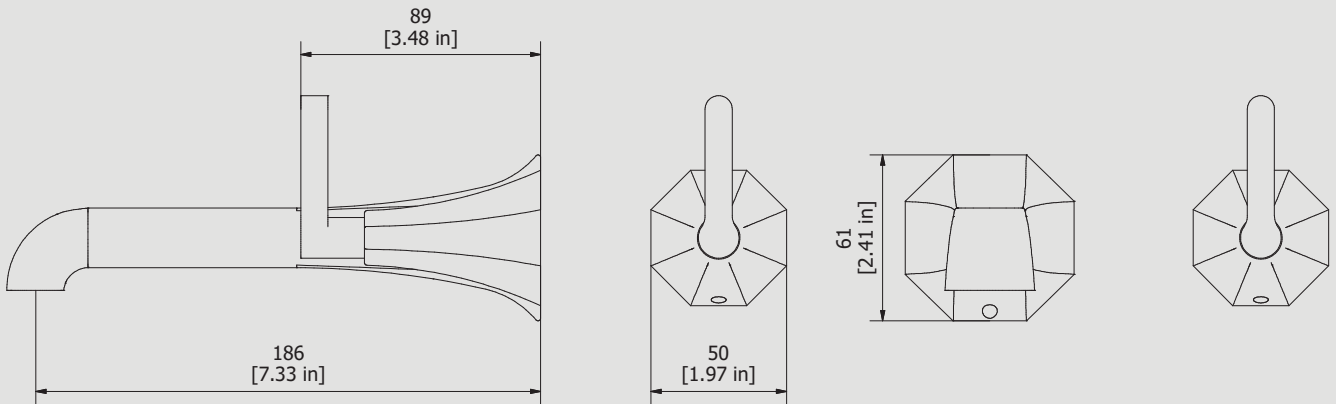
1.7 kg

Finishes

- **CC**  
CHROME
- **CF**  
BLACK CHROME
- **OO**  
GOLD
- **BB**  
ANTIQUE BRONZE
- **SS**  
BRUSHED NICKEL
- **CS**  
BRUSHED BLACK CHROME
- **BO**  
MATT WHITE
- **NP**  
MATT BLACK
- **IS**  
BRUSHED PALE GOLD
- **OS**  
BRUSHED GOLD
- **II**  
PALE GOLD
- **RR**  
ANTIQUE COPPER
- **RS**  
ROSE GOLD
- **ON**  
NATURAL BRASS
- **SR**  
BRUSHED ROSE GOLD
- **PL**  
PLATINUM
- **MB**  
MODERN BRONZE



Dimensions



Ceramic headwork

**G1/2" ceramic headwork**

Threaded fitting

**G1/2" female**

Aerator

Flow Rate (+/-10%)

**1 BAR**  
2.4 l/min

**2 BAR**  
3.7 l/min

**3 BAR**  
3.7 l/min

Production

**Main body is a single casted pieces**

Material

**BRASS**  
According to CuZn35Pb2AL-B (CB752S)  
Max Lead content: 1.36%

IB RUBINETTERIE s.p.a  
via dei Pianotti 3/5  
25068 Sarezzo (BS) - Italy -

T. +39 030 802101  
F. +39 030 803097  
info@ibrubINETTERIE.it

P.IVA 01785230986  
capitale sociale  
€420.000,00 i.v.

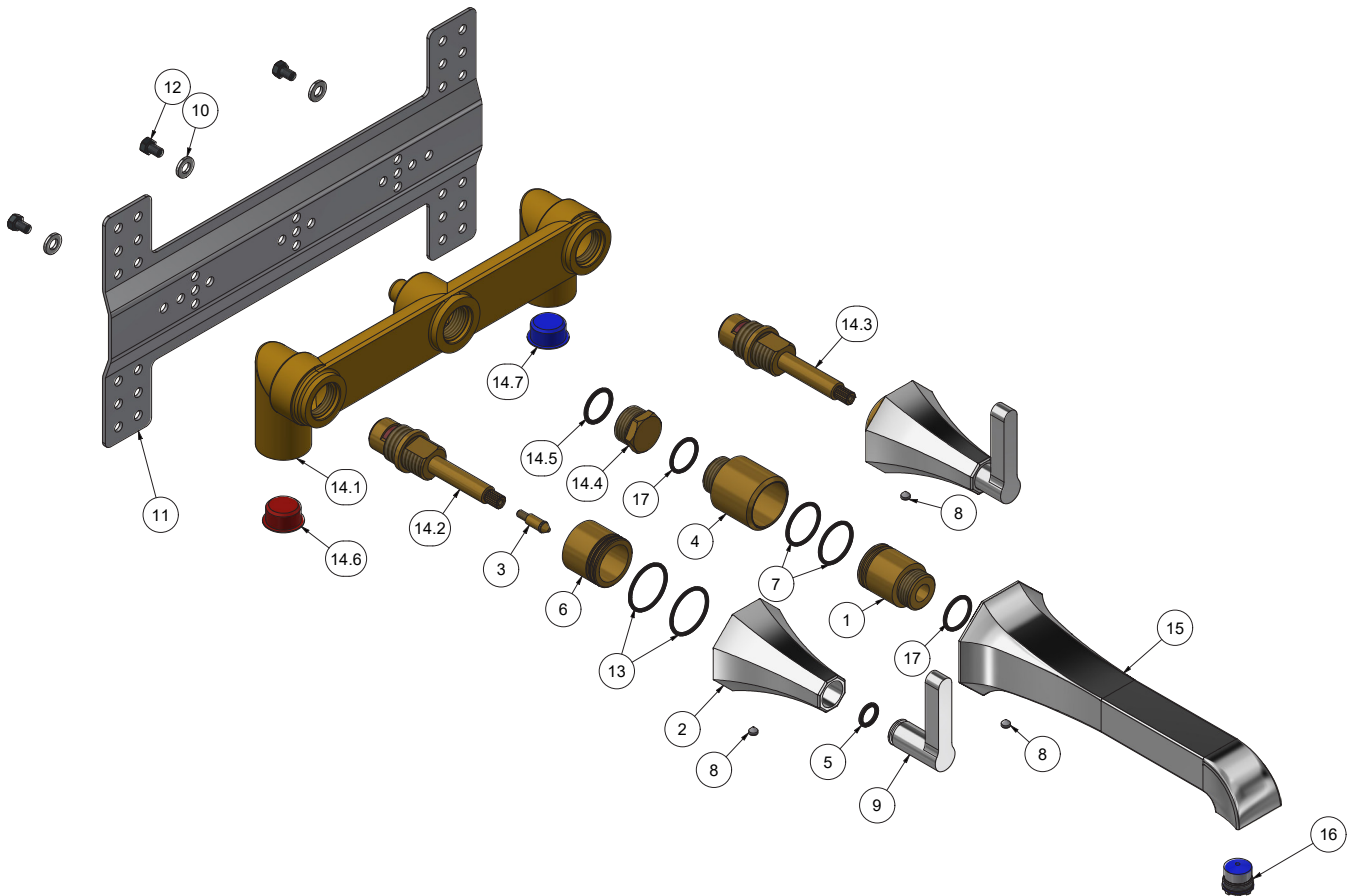
WWW.IBRUBINETTI.IT





# IB RUBINETTI

Parts list			
ITEMS	CODE	DESCRIPTION	FIN QTA
1	AS0010502	Insert Ø25.8 G1/2" L36.5	G 1
2	CC0002164	Octagonal bell 50 H65	F 2
3	AQ0010617	Click connection for headworks with ring	- 2
4	AS0010503	Insert Ø31.5 H41	G 1
5	AQ0010153	OR 10x2 NBR 70 SH	- 2
6	AS0010504	Insert Ø28.7 H24.5	G 2
7	AQ0006637	OR 21.95x1.78 NBR 70 SH	- 2
8	AQ0010117	Grubscrew M5x4 cone point	- 3
9	CC0002160	Lever	F 2
10	AQ0004650	Washer Ø6 ISO 7089 140 HV	- 3
11	AQ0009362	Inox plate 280x150	- 1
12	AQ0009429	Inox screw M5x8 DIN933	- 3
13	AQ0006586	OR 25.12x1.78 NBR 70 SH	- 4
14	CPBL206-1	Preassembled recessed mixer body	- 1
14.1	CT0001905	Recessed body 3 hole Int. 200 G1/2"	G 1
14.2	AQ0010852	Headwork 90° SX H55	- 1
14.3	AQ0010851	Headwork 90° DX H55	- 1
14.4	AQ0006680	Plug G1/2" M	G 1
14.5	AQ0009841	OR 17x2 NBR 70 SH	- 1
14.6	AQ0014537	Red thread's protecting cap Ø19	- 1
14.7	AQ0014538	Blu thread's protecting cap Ø19	- 1
15	CC0001938	Spout for recessed basin mixer L197	F 1
16	AQ0014147	Perlator PCA cachè laminar 1 GPM (44.3358.010)	- 1
17	AQ0004630	OR 17.16x1.78 NBR 70 SH	- 2





### **WARRANTY**

All IB Rubinetterie SpA products are warranted for 10 years from the date of purchase, for the following cases:

- Defects of casting, porosity and chrome plating.
- Operating defects caused by incorrect fabrication.

The warranty provides for repair or replacement of products with fabrication defects recognized by our technical office. There is no other type of compensation anche the merchandise must be returned FOB our warehouse. The warranty only cover surface defects (scartches, dings, etc.) on fitting that have not been installed and used, returned in its original packaging with all components. O-ring, gasket seals and components subject to wear proportional to use are warranted for 2 years.

#### **The warranty is void in the following cases:**

Error installing and putting the product into service.

Deterioration of finished surfaces due to use of cleaning products containing acids or abrasive substances.

Deterioration of surface with finishes other than chrome plating. Their durability is, in fact, dependent on the user's care and gentleness of use.

Deterioration of the fitting due incorrect installation.

Improper repairs and maintenance performed without the company's prior authorization.

The warranty from IB Rubinetterie SpA is not renewable.

#### **Cleaning**

We recommended cleaning the finish surfaces with water and soap, using a soft cloth.

Do not use detergents that cointain hydrochloric acid or abrasive substances.