



# IB RUBINETTI

Collection

## BELMONDO

Article

### BL706

Description

**Exposed parts for bidet spray mixer.**

**Built-in body to be purchased separately INC206**

Box Dimensions

**370x270x80 mm**

Weight

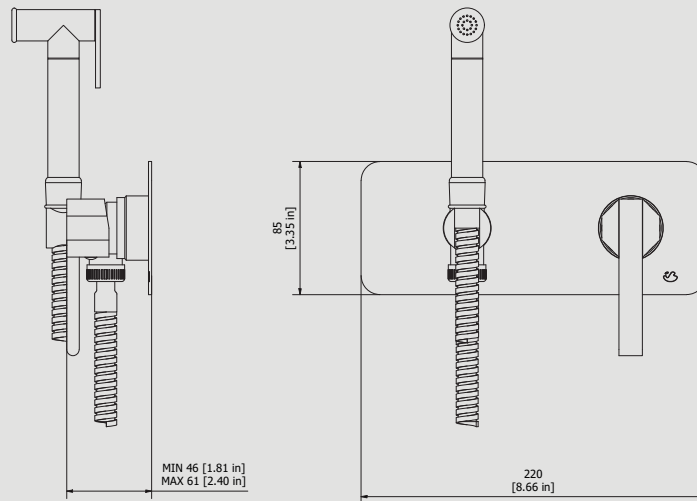
**3.1 kg**

Finishes

- **CC**  
CHROME
- **CF**  
BLACK CHROME
- **OO**  
GOLD
- **BB**  
ANTIQUE BRONZE
- **SS**  
BRUSHED NICKEL
- **CS**  
BRUSHED BLACK CHROME
- **BO**  
MATT WHITE
- **ONP**  
MATT BLACK
- **IS**  
BRUSHED PALE GOLD
- **OS**  
BRUSHED GOLD
- **II**  
PALE GOLD
- **RR**  
ANTIQUE COPPER
- **RS**  
ROSE GOLD
- **ON**  
NATURAL BRASS
- **SR**  
BRUSHED ROSE GOLD
- **PL**  
PLATINUM
- **MB**  
MODERN BRONZE



Dimensions



Ceramic cartridge

**Ø35 ceramic cartridge**

Threaded fitting

**G1/2" female**

Aerator

Flow Rate (+/-10%)

**1 BAR  
2.3 l/min**

**2 BAR  
3.2 l/min**

**3 BAR  
4 l/min**

Production

**Main body is a single casted pieces**

Material

**BRASS**  
According to CuZn35Pb2Al-B (CB752S)  
Max Lead content: 1.36%

IB RUBINETTERIE s.p.a  
via dei Pianotti 3/5  
25068 Sarezzo (BS) - Italy -

T. +39 030 802101  
F. +39 030 803097  
info@ibrubinetterie.it

P.IVA 01785230986  
capitale sociale  
€420.000,00 i.v.

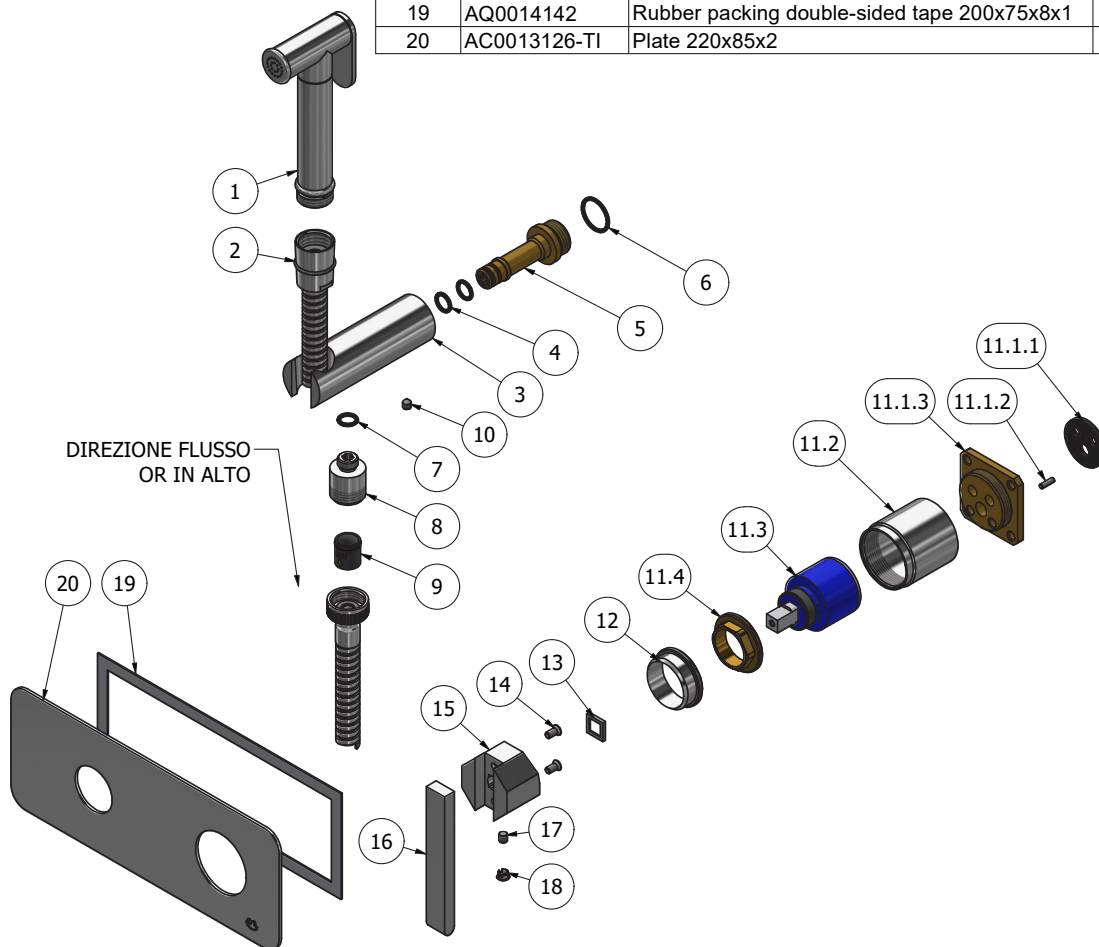
WWW.IBRUBINETTI.IT





# IB RUBINETTI

| Parts list |              |   |     |     |
|------------|--------------|---|-----|-----|
| ITEMS      | CODE         | DESCRIPTION                                   | FIN | QTÀ |
| 1          | AQ0017943    | Shut off tonda Ø20                            | F   | 1   |
| 2          | AQ0013497    | Hose G1/2" F G1/2" cone L100                  | F   | 1   |
| 3          | AC0013053    | Hand shower's support Ø30 L94.8               | F   | 1   |
| 4          | AQ0004180    | OR 9.25x1.78 NBR 70 SH                        | -   | 2   |
| 5          | AS0018164    | Bayonet coupling G1/2" M H62.5                | G   | 1   |
| 6          | AQ0004640    | OR 18.77x1.78 NBR 70 SH                       | -   | 1   |
| 7          | AQ0001340    | OR 8.73x1.78 NBR 70 SH                        | -   | 1   |
| 8          | AC0013052    | Reduction G1/2" M M12x1 M H20.5               | F   | 1   |
| 9          | AQ0013247    | Flow reduction+CV Ø15 4L                      | -   | 1   |
| 10         | AQ0014670    | Grubscrew M5x6 cone point                     | -   | 1   |
| 11         | CPIN206CC-69 | Mixer 47x47 recessed                          | -   | 1   |
| 11.1       | CP13040XXN_1 | Inserto 47x47                                 | -   | 1   |
| 11.1.1     | AQ0015684    | Gasket Ø31 H3.5 Ø7 Ø7.5                       | -   | 1   |
| 11.1.2     | AQ0015357    | Grubscrew M3x10 flat point                    | -   | 1   |
| 11.1.3     | AS0013040    | Insert 47x47 H11 M37x1.5                      | G   | 1   |
| 11.2       | AC0011079    | Seat-ring for cartridge Ø41 Ø39 M37x1,5 H40,7 | F   | 1   |
| 11.3       | AQ0004095    | Ceramic cartridge Ø35 9x9 (K35A)              | -   | 1   |
| 11.4       | AQ0001040    | Cartridge ring nut M37x1.5 H9                 | G   | 1   |
| 12         | AC0011513    | Cover nut M37x1.5 Ø33 H12.5                   | F   | 1   |
| 13         | AQ0013035    | Square spacer 13,5x13,5x2                     | G   | 1   |
| 14         | AQ0010280    | Inox screw M4X8,5                             | -   | 2   |
| 15         | AC0011467    | Handle H27 octagonal 37                       | F   | 1   |
| 16         | AC0011468    | Rectangular lever 15x8 H100                   | F   | 1   |
| 17         | AQ0001100    | Grubscrew M5x5 flat point                     | -   | 1   |
| 18         | AQ0006650    | Plug cover Ø7                                 | F   | 1   |
| 19         | AQ0014142    | Rubber packing double-sided tape 200x75x8x1   | -   | 1   |
| 20         | AC0013126-TI | Plate 220x85x2                                | F   | 1   |





### **WARRANTY**

All IB Rubinetterie SpA products are warranted for 10 years from the date of purchase, for the following cases:

- Defects of casting, porosity and chrome plating.
- Operating defects caused by incorrect fabrication.

The warranty provides for repair or replacement of products with fabrication defects recognized by our technical office. There is no other type of compensation anche the merchandise must be returned FOB our warehouse. The warranty only cover surface defects (scartches, dings, etc.) on fitting that have not been installed and used, returned in its original packaging with all components. O-ring, gasket seals and components subject to wear proportional to use are warranted for 2 years.

#### **The warranty is void in the following cases:**

Error installing and putting the product into service.

Deterioration of finished surfaces due to use of cleaning products containing acids or abrasive substances.

Deterioration of surface with finishes other than chrome plating. Their durability is, in fact, dependent on the user's care and gentleness of use.

Deterioration of the fitting due incorrect installation.

Improper repairs and maintenance performed without the company's prior authorization.

The warranty from IB Rubinetterie SpA is not renewable.

#### **Cleaning**

We recommanded cleaning the finish surfaces with water and soap, using a soft cloth.

Do not use detergents that cointain hydrochloric acid or abrasive substances.