



IB RUBINETTI

Collection

BELMONDO

Article

BT397

Description

Four holes deck mounted bath filler

Box Dimensions

400 x 250 x 140 mm

Weight

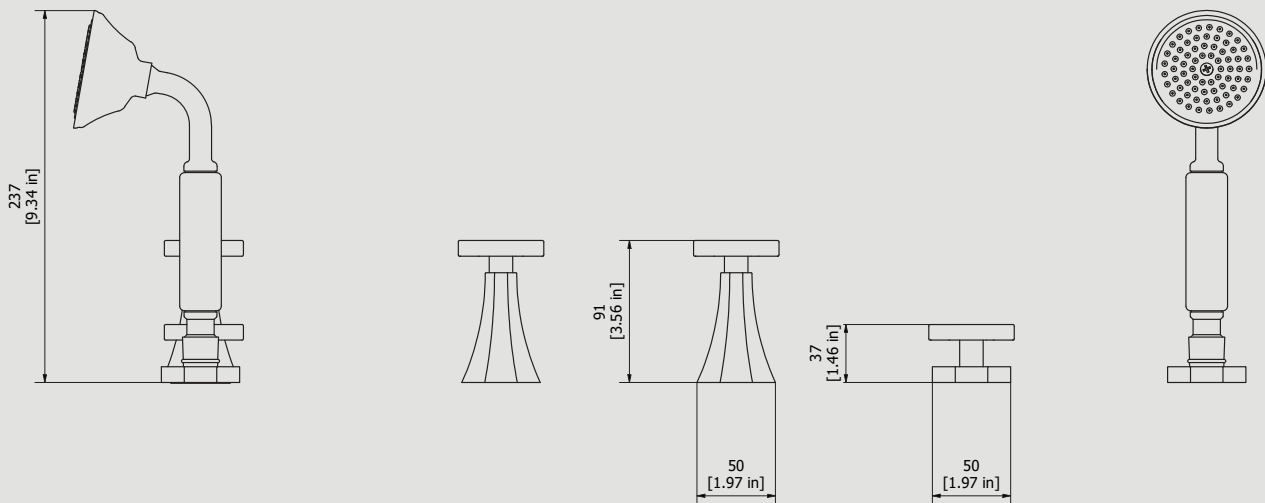
3.9 kg

Finishes

- **CC**
CHROME
- **CF**
BLACK CHROME
- **OO**
GOLD
- **BB**
ANTIQUE BRONZE
- **SS**
BRUSHED NICKEL
- **CS**
BRUSHED BLACK CHROME
- **BO**
MATT WHITE
- **ONP**
MATT BLACK
- **IS**
BRUSHED PALE GOLD
- **OS**
BRUSHED GOLD
- **II**
PALE GOLD
- **RR**
ANTIQUE COPPER
- **RS**
ROSE GOLD
- **ON**
NATURAL BRASS
- **SR**
BRUSHED ROSE GOLD
- **PL**
PLATINUM
- **MB**
MODERN BRONZE



Dimensions



Ceramic headwork

G1/2" ceramic headwork

Threaded fitting

G1/2" male

Aerator

Flow Rate (+/-10%)

**1 BAR
19 l/min**

**2 BAR
27 l/min**

**3 BAR
33 l/min**

Production

Main body is a single casted pieces

Material

BRASS
According to CuZn35Pb2AL-B (CB752S)
Max Lead content: 1.36%

IB RUBINETTERIE s.p.a
via dei Pianotti 3/5
25068 Sarezzo (BS) - Italy -

T. +39 030 802101
F. +39 030 803097
info@ibrubinetterie.it

P.IVA 01785230986
capitale sociale
€420.000,00 i.v.

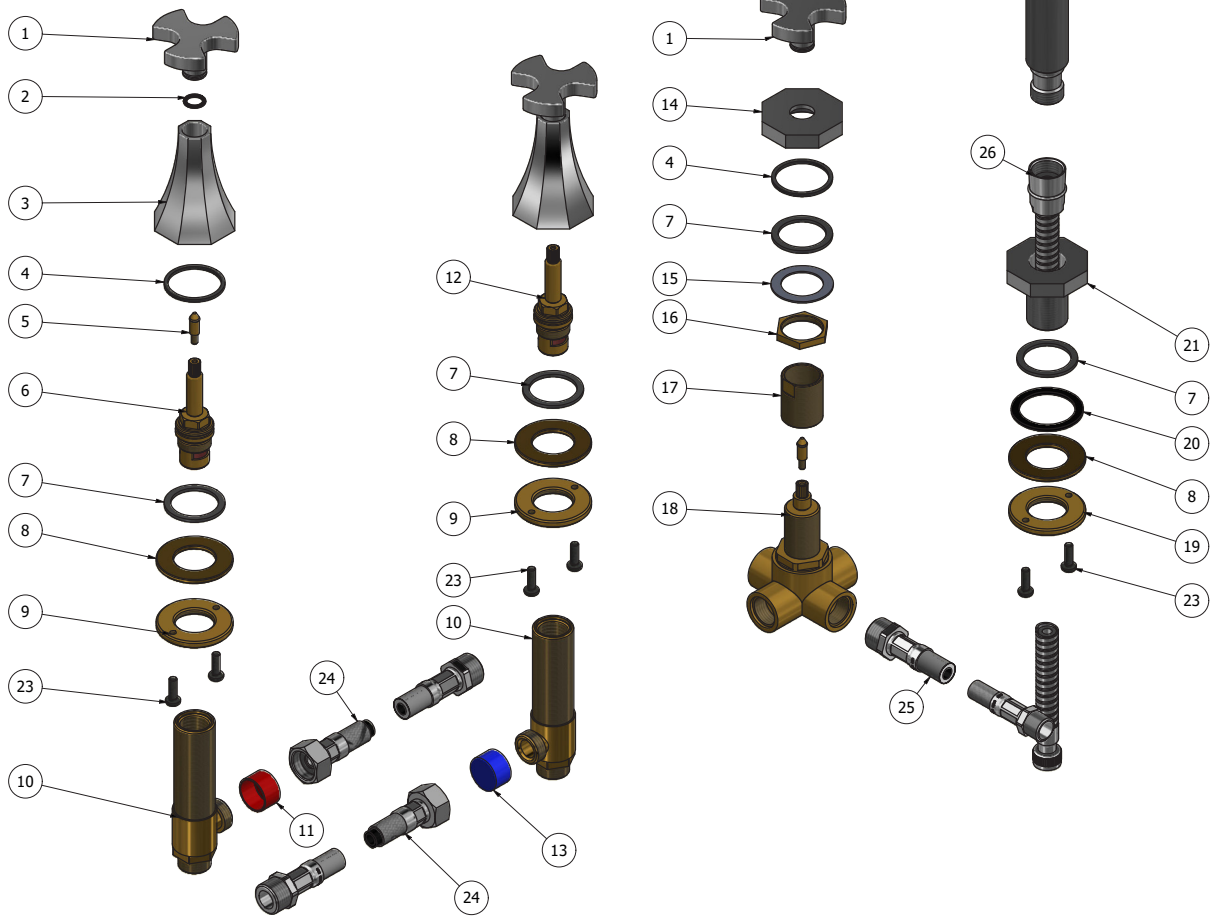
WWW.IBRUBINETTI.IT





IB RUBINETTI

Parts list				
ITEMS	CODE	DESCRIPTION	FIN	QTÀ
1	CC0002161	Lever	F	3
2	AQ0010153	OR 10x2 NBR 70 SH	-	2
3	CC0002162	Octagonal bell H70	F	2
4	AQ0010274	Rubber packing Ø38x33.5x2	-	3
5	AQ0010617	Click connection for headworks with ring	-	3
6	AQ0010529	Ceramic headwork 90° SX H38.5 8x20	-	1
7	AQ0009716	Rubber packing 38x30x2	-	4
8	AS0010697	Washer Ø48 x Ø26.5 x3	G	3
9	AS0010698	Ring nut W26x19	G	2
10	AS0002250	Washbasin upright W26x19	G	2
11	AQ0015328	Red plug G1/2"	-	1
12	AQ0010528	Ceramic headwork 90° DX H38.5 8x20	-	1
13	AQ0015329	Blue plug G1/2"	-	1
14	AC0010506	Octagonal base 50 H10	F	1
15	AQ0001650	Inox washer 39x26,5x1	-	1
16	AS0002010	Clamping nut 26 x 19 H5 CH30	G	1
17	AS0009995	Bush for headwork W26 x 19 W22 x 19	G	1
18	AQ0010279	Diverter 2 in - 2 out complete short	G	1
19	AS0012647	Ring nut G3/4"	G	1
20	AQ0008013	Rubber packing 45x35x2	-	1
21	AC0016670	Handshower support	F	1
22	AQ0012007	Handshower	F	1
23	AQ0010358	Inox screw M5x16 ISO 7045	-	6
24	AQ0010652	Flex inox G1/2" M - G1/2" F L.600	-	2
25	AQ0010653	Flex inox G3/8" M - G1/2" M L.600	-	1
26	AQ0017134	Flex G1/2"F cono G3/8"F L.150	-	1





WARRANTY

All IB Rubinetterie SpA products are warranted for 10 years from the date of purchase, for the following cases:

- Defects of casting, porosity and chrome plating.
- Operating defects caused by incorrect fabrication.

The warranty provides for repair or replacement of products with fabrication defects recognized by our technical office. There is no other type of compensation anche the merchandise must be returned FOB our warehouse. The warranty only cover surface defects (scartches, dings, etc.) on fitting that have not been installed and used, returned in its original packaging with all components. O-ring, gasket seals and components subject to wear proportional to use are warranted for 2 years.

The warranty is void in the following cases:

Error installing and putting the product into service.

Deterioration of finisched surfaces due to use of cleaning products containing acids or abrasive substances.

Deterioration of surface with finishes other than chrome plating. Their durability is, in fact, dependent on the user's care and gentleness of use.

Deterioration of the fitting due incorrect installation.

Improper repairs and maintenance performed without the company's prior authorization.

The warranty from IB Rubinetterie SpA is not renewable.

Cleaning

We recommanded cleaning the finish surfaces with water and soap, using a soft cloth.

Do not use detergents that cointain hydrochloric acid or abrasive substances.