



IB RUBINETTI

Collection

BELMONDO

Article

BT410

Description

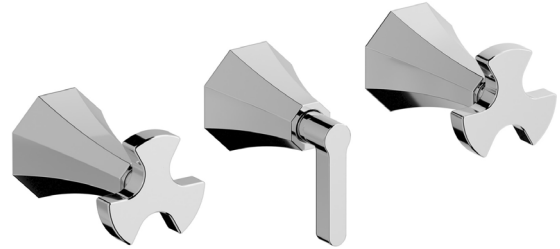
Three holes wall mounted shower

Box Dimensions

340 x 180 x 70 mm

Weight

1.7 kg

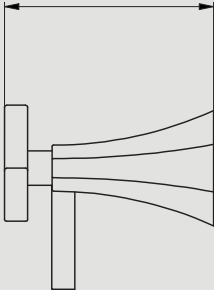


Finishes

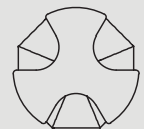
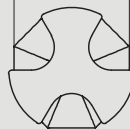
- **CC**
CHROME
- **CF**
BLACK CHROME
- **OO**
GOLD
- **BB**
ANTIQUE BRONZE
- **SS**
BRUSHED NICKEL
- **CS**
BRUSHED BLACK CHROME
- **BO**
MATT WHITE
- **NP**
MATT BLACK
- **IS**
BRUSHED PALE GOLD
- **OS**
BRUSHED GOLD
- **II**
PALE GOLD
- **RR**
ANTIQUE COPPER
- **RS**
ROSE GOLD
- **ON**
NATURAL BRASS
- **SR**
BRUSHED ROSE GOLD
- **PL**
PLATINUM
- **MB**
MODERN BRONZE

Dimensions

MIN 84 [3.30 in]
MAX 94 [3.70 in]



50
[1.97 in]



Ceramic headwork

G1/2" ceramic headwork

Threaded fitting

G1/2" female

Aerator

Flow Rate (+/-10%)

1 BAR
28 l/min

2 BAR
40 l/min

3 BAR
49.3 l/min

Production

Main body is a single casted pieces

Material

BRASS
According to CuZn35Pb2AL-B (CB752S)
Max Lead content: 1.36%

IB RUBINETTERIE s.p.a
via dei Pianotti 3/5
25068 Sarezzo (BS) - Italy -

T. +39 030 802101
F. +39 030 803097
info@ibrubINETTERIE.it

P.IVA 01785230986
capitale sociale
€420.000,00 i.v.

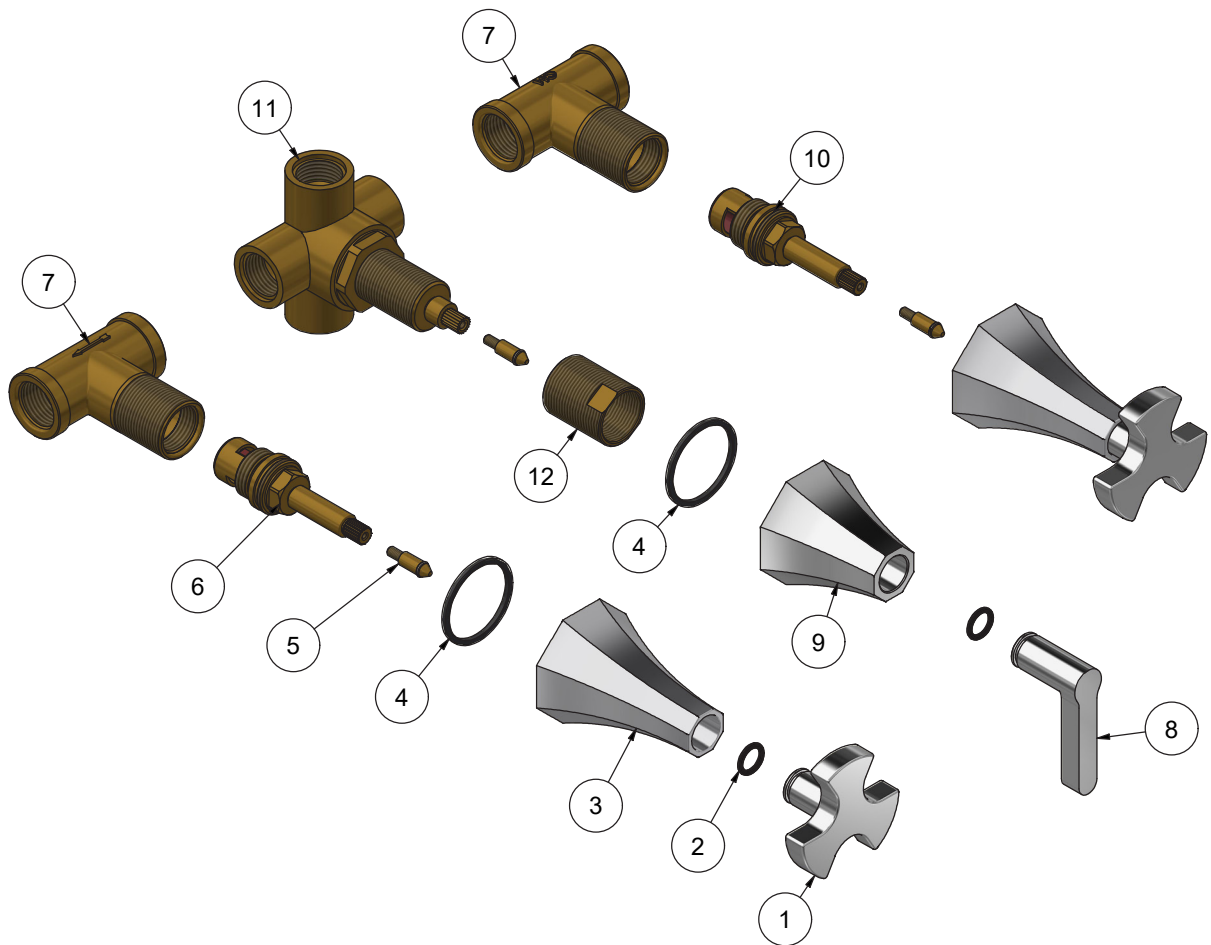
WWW.IBRUBINETTI.IT





IB RUBINETTI

Parts list				
ITEMS	CODE	DESCRIPTION	FIN	QTÀ
1	CC0002161	Lever	F	2
2	AQ0010153	OR 10x2 NBR 70 SH	-	3
3	CC0002162	Octagonal bell H70	F	2
4	AQ0010274	Rubber packing Ø38x33.5x2	-	3
5	AQ0010617	Click connection for headworks with ring	-	3
6	AQ0010528	Ceramic headwork 90° DX H38.5 8x20	-	1
7	CT0002005	Built-in stopcocks G1/2"	G	2
8	CC0002160	Lever	F	1
9	CC0002232	Octagonal bell W26x19 H50	F	1
10	AQ0010529	Ceramic headwork 90° SX H38.5 8x20	-	1
11	AQ0010279	Diverter 2 in - 2 out complete short	G	1
12	AS0009995	Bush for headwork W26 x 19 W22 x 19	G	1





WARRANTY

All IB Rubinetterie SpA products are warranted for 10 years from the date of purchase, for the following cases:

- Defects of casting, porosity and chrome plating.
- Operating defects caused by incorrect fabrication.

The warranty provides for repair or replacement of products with fabrication defects recognized by our technical office. There is no other type of compensation anche the merchandise must be returned FOB our warehouse. The warranty only cover surface defects (scartches, dings, etc.) on fitting that have not been installed and used, returned in its original packaging with all components. O-ring, gasket seals and components subject to wear proportional to use are warranted for 2 years.

The warranty is void in the following cases:

Error installing and putting the product into service.

Deterioration of finished surfaces due to use of cleaning products containing acids or abrasive substances.

Deterioration of surface with finishes other than chrome plating. Their durability is, in fact, dependent on the user's care and gentleness of use.

Deterioration of the fitting due incorrect installation.

Improper repairs and maintenance performed without the company's prior authorization.

The warranty from IB Rubinetterie SpA is not renewable.

Cleaning

We recommended cleaning the finish surfaces with water and soap, using a soft cloth.

Do not use detergents that cointain hydrochloric acid or abrasive substances.