



IB RUBINETTI

Collection

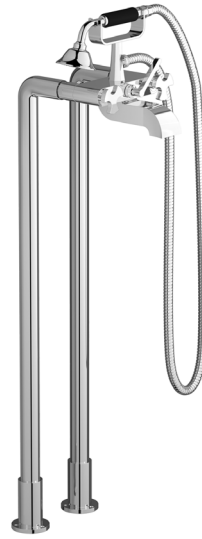
BELMONDO

Article

BT700

Description

Free-standing two columns bath filler



Box Dimensions

360 x 220 x 220 mm

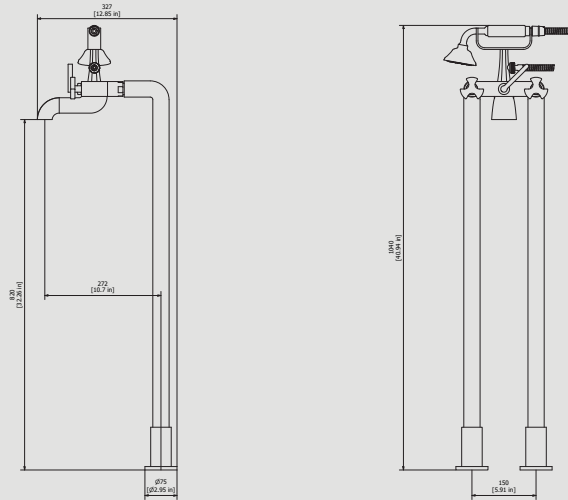
Weight

10.5 kg

Finishes

- **CC**
CHROME
- **CF**
BLACK CHROME
- **OO**
GOLD
- **BB**
ANTIQUE BRONZE
- **SS**
BRUSHED NICKEL
- **CS**
BRUSHED BLACK CHROME
- **BO**
MATT WHITE
- **ONP**
MATT BLACK
- **IS**
BRUSHED PALE GOLD
- **OS**
BRUSHED GOLD
- **II**
PALE GOLD
- **RR**
ANTIQUE COPPER
- **RS**
ROSE GOLD
- **ON**
NATURAL BRASS
- **SR**
BRUSHED ROSE GOLD
- **PL**
PLATINUM
- **MB**
MODERN BRONZE

Dimensions



Ceramic headwork

G1/2" ceramic headwork

Hoses

Inox hoses G1/2" male

Aerator

Flow Rate (+/-10%)

**1 BAR
35 l/min**

**2 BAR
45.8 l/min**

**3 BAR
69.3 l/min**

Production

Main body is a single casted pieces

Material

**BRASS
According to CuZn35Pb2AL-B (CB752S)
Max Lead content: 1.36%**

IB RUBINETTERIE s.p.a
via dei Pianotti 3/5
25068 Sarezzo (BS) - Italy -

T. +39 030 802101
F. +39 030 803097
info@ibrubinetterie.it

P.IVA 01785230986
capitale sociale
€420.000,00 i.v.

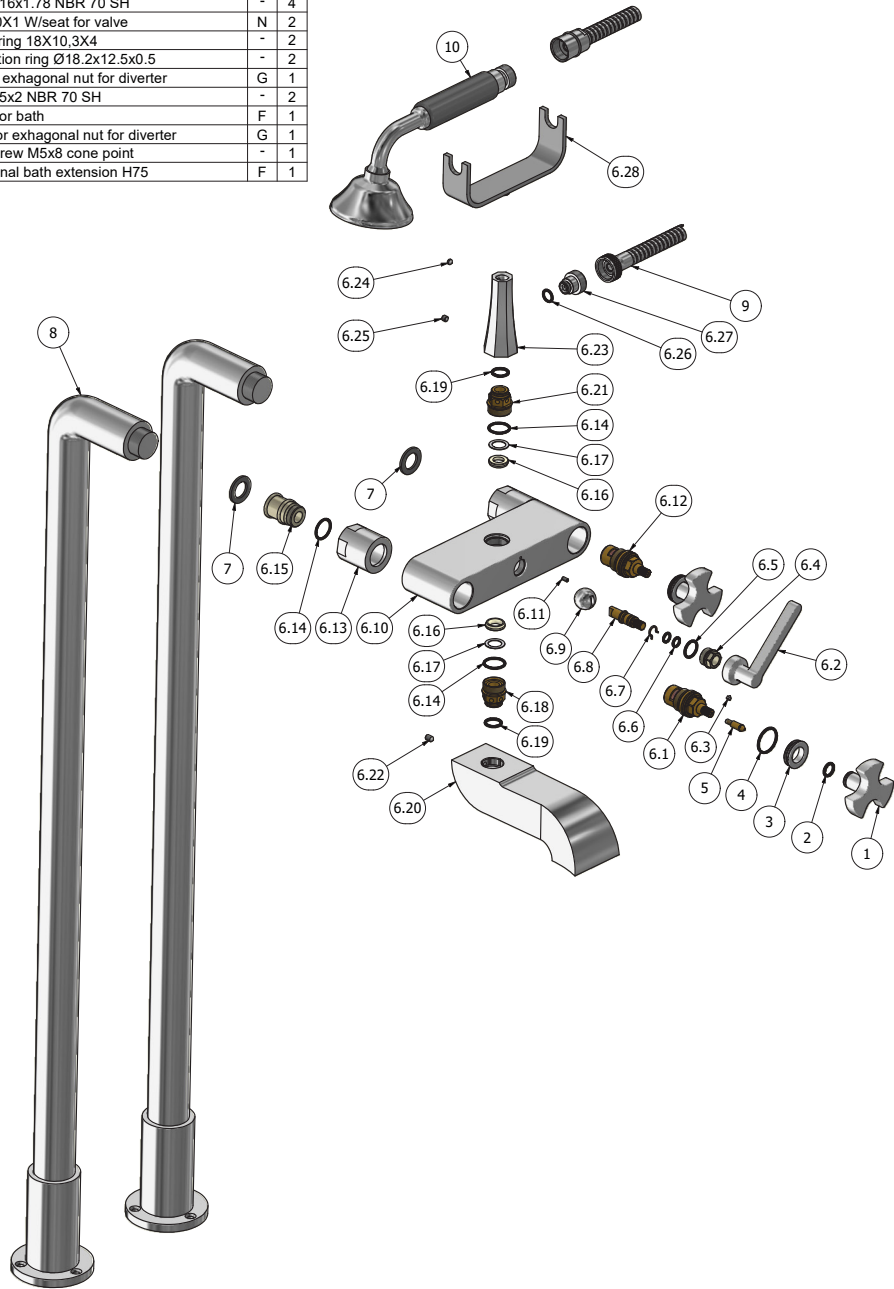
WWW.IBRUBINETTI.IT





IB RUBINETTI

Parts list				Parts list			
ITEMS	CODE	DESCRIPTION	FIN QTA	ITEMS	CODE	DESCRIPTION	FIN QTA
1	CC0002161	Lever	F 2	6.24	AQ0010117	Grubscrew M5x4 cone point	- 1
2	AQ0010153	OR 10x2 NBR 70 SH	- 2	6.25	AQ0009541	Grubscrew M5x4 flat point	- 1
3	AC0010495	Headwork cover	F 2	6.26	AQ0004180	OR 9.25x1.78 NBR 70 SH	- 1
4	AQ0006637	OR 21.95x1.78 NBR 70 SH	- 2	6.27	AC0010492	Shower connection piece	F 1
5	AQ0010617	Click connection for headworks with ring	- 2	6.28	AC0010497	Fork for bath mixer	F 1
6	CPKBL250CCX01	Preassembled external bath filler	- 1	7	AQ0001600	Gasket 24x16x2 G3/4"	- 2
6.1	AQ0010848	Ceramic headwork 90°right	G 1	8	AQ0009898	Extension pipe H890	F 1
6.2	CC0002165	Diverter lever	F 1	9	AQ0003120	Hose G1/2" F G1/2" cone L150	F 1
6.3	AQ0001082	Grubscrew M4x4 cone point	- 1	10	AC0016950	Handshower	F 1
6.4	AN0010491	Nut for diverter rod	N 1				
6.5	AQ0009818	OR 14x1.78 NBR 70 SH	- 1				
6.6	AQ0001330	OR 6.75x1.78 NBR 70 SH	- 2				
6.7	AQ0010524	Elastic ring for diverter	G 1				
6.8	AS0010489	Inset for diverter rod	G 1				
6.9	AQ0010521	Valve's sphere for diverter	G 1				
6.10	CC0001890	External bath body	F 1				
6.11	AQ0010525	Grubscrew M3x6 flat point	- 1				
6.12	AQ0010849	Ceramic headwork 90°left	G 1				
6.13	AC0010498	Nut H.36 for bath	F 2				
6.14	AQ0004630	OR 17.16x1.78 NBR 70 SH	- 4				
6.15	AN0010253	Seal 20X1 W/seat for valve	N 2				
6.16	AQ0010522	Teflon ring 18X10,3X4	- 2				
6.17	AQ0010814	Antifriction ring Ø18.2x12.5x0.5	- 2				
6.18	AS0010601	Inferior exahagonal nut for diverter	G 1				
6.19	AQ0010857	OR 12.5x2 NBR 70 SH	- 2				
6.20	CC0001895	Spout for bath	F 1				
6.21	AS0010490	Superior exahagonal nut for diverter	G 1				
6.22	AQ0010869	Grubscrew M5x8 cone point	- 1				
6.23	CC0002166	Octagonal bath extension H75	F 1				





WARRANTY

All IB Rubinetterie SpA products are warranted for 10 years from the date of purchase, for the following cases:

- Defects of casting, porosity and chrome plating.
- Operating defects caused by incorrect fabrication.

The warranty provides for repair or replacement of products with fabrication defects recognized by our technical office. There is no other type of compensation anche the merchandise must be returned FOB our warehouse. The warranty only cover surface defects (scartches, dings, etc.) on fitting that have not been installed and used, returned in its original packaging with all components. O-ring, gasket seals and components subject to wear proportional to use are warranted for 2 years.

The warranty is void in the following cases:

Error installing and putting the product into service.

Deterioration of finished surfaces due to use of cleaning products containing acids or abrasive substances.

Deterioration of surface with finishes other than chrome plating. Their durability is, in fact, dependent on the user's care and gentleness of use.

Deterioration of the fitting due incorrect installation.

Improper repairs and maintenance performed without the company's prior authorization.

The warranty from IB Rubinetterie SpA is not renewable.

Cleaning

We recommanded cleaning the finish surfaces with water and soap, using a soft cloth.

Do not use detergents that cointain hydrochloric acid or abrasive substances.