

Collection

## COLORE

Article

## CO220

Description

**Monohole bidet mixer.**

Box Dimensions

**340x180x70 mm**

Weight

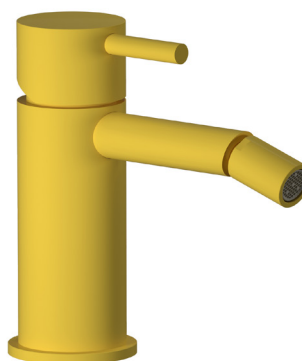
**1.6 kg**

Finishes

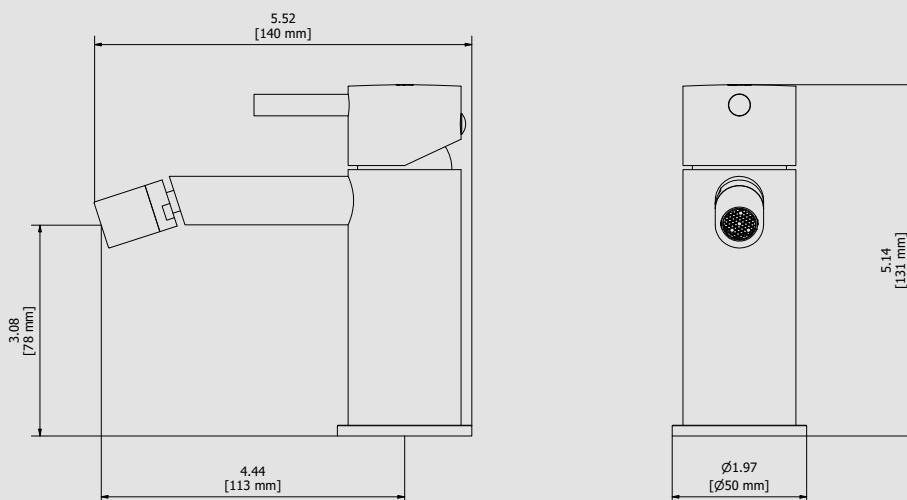
● **BL**  
GARDA BLUE

● **GI**  
FRANCIACORTA YELLOW

● **VD**  
MADDALENA GREEN



Dimensions



Cartridge

**$\phi 25$  ceramic cartridge**

Threaded fitting

**Inox hoses G3\8" female 450 mms long**

Aerator

**M16.5x1**

Flow Rate (+/-10%)

**1 BAR**  
6.5 l\m

**2 BAR**  
9 l\m

**3 BAR**  
11 l\m

Production

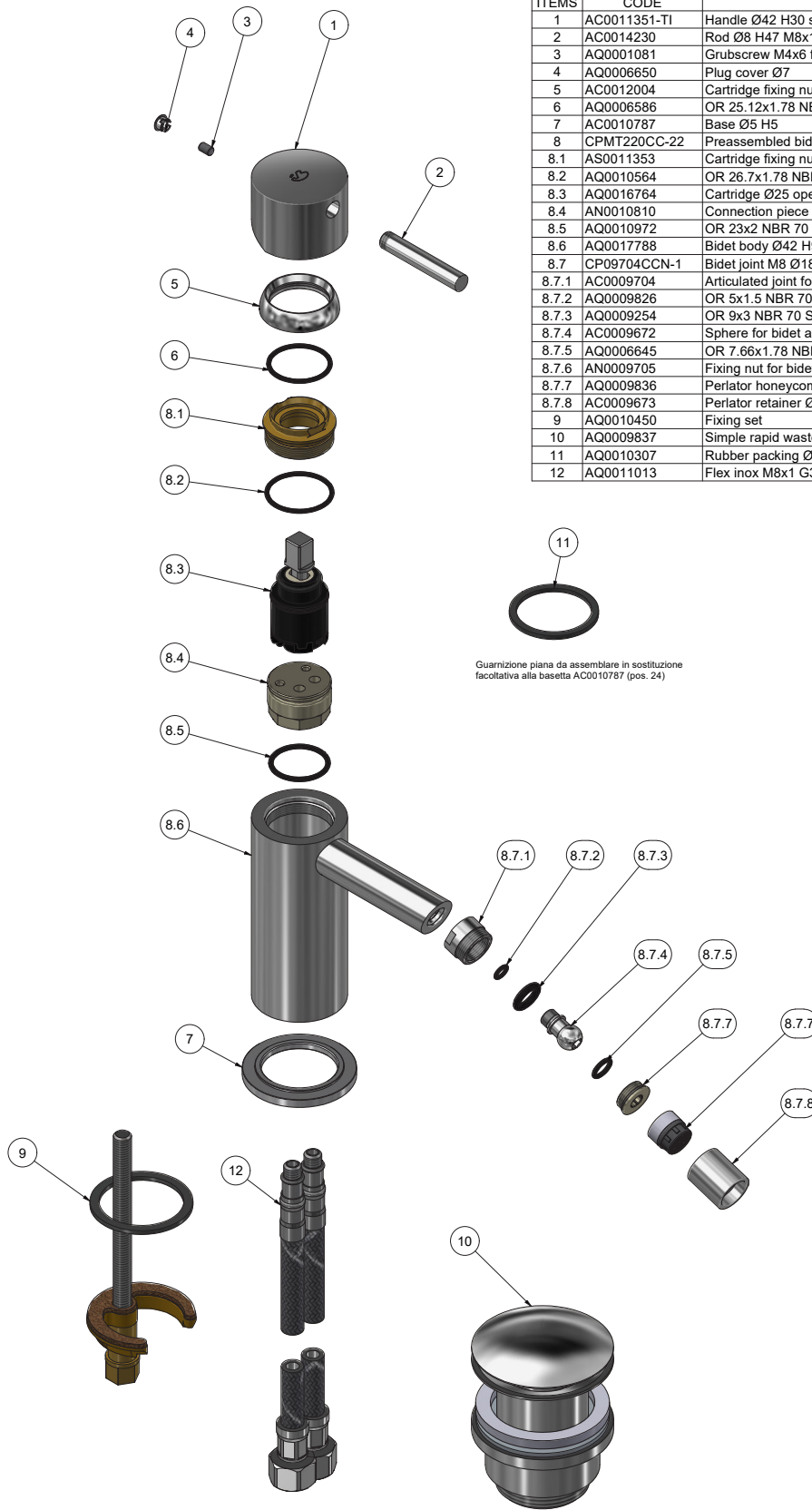
**Main body is a machined from a solid pieces**

Material

**BRASS**  
According to CuZn42 (CW510L)  
Max Lead content: 0.2%



WE ARE IB



Parts list			
ITEMS	CODE	DESCRIPTION	FIN QTA
1	AC0011351-T1	Handle Ø42 H30 square 9.15x9.15 M8	F 1
2	AC0014230	Rod Ø8 H47 M8x1.25	F 1
3	AQ0001081	Grubscrew M4x6 flat point	- 1
4	AQ0006650	Plug cover Ø7	F 1
5	AC0012004	Cartridge fixing nut chromed cover	F 1
6	AQ0006586	OR 25.12x1.78 NBR 70 SH	- 1
7	AC0010787	Base Ø5 H5	F 1
8	CPMT220CC-22	Preassembled bidet	- 1
8.1	AS0011353	Cartridge fixing nut M30x1 H14.35	G 1
8.2	AQ0010564	OR 26.7x1.78 NBR 70 SH	- 1
8.3	AQ0016764	Cartridge Ø25 open 9x9 (KH25OPS A4US)	- 1
8.4	AN0010810	Connection piece Ø27X18	N 1
8.5	AQ0010972	OR 23x2 NBR 70 SH	- 1
8.6	AQ0017788	Bidet body Ø42 H95 L86	F 1
8.7	CP09704CCN-1	Bidet joint M8 Ø18	- 1
8.7.1	AC0009704	Articulated joint for bidet M17x1 M14x1 H12	F 1
8.7.2	AQ0009826	OR 5x1.5 NBR 70 SH	- 1
8.7.3	AQ0009254	OR 9x3 NBR 70 SH	- 1
8.7.4	AC0009672	Sphere for bidet articulated joint Ø11 M8 H19.5	F 1
8.7.5	AQ0006645	OR 7.66x1.78 NBR 70 SH	- 1
8.7.6	AN0009705	Fixing nut for bidet articulated joint Ø15.6 M14x1 H5.7	N 1
8.7.7	AQ0009836	Perlator honeycomb with rubber (44.3030.0)	- 1
8.7.8	AC0009673	Perlator retainer Ø18 M17x1 H20	F 1
9	AQ0010450	Fixing set	- 1
10	AQ0009837	Simple rapid waste 1"1/4	F 1
11	AQ0010307	Rubber packing Ø39 Ø33 H2	- 1
12	AQ0011013	Flex inox M8x1 G3/8" L450	- 2

11  
  
 Guarnizione piana da assemblare in sostituzione facoltativa alla basetta AC0010787 (pos. 24)



WE ARE IB

### **WARRANTY**

All IB Rubinetterie SpA products are warranted for 10 years from the date of purchase, for the following cases:

- Defects of casting, porosity and chrome plating.
- Operating defects caused by incorrect fabrication.

The warranty provides for repair or replacement of products with fabrication defects recognized by our technical office. There is no other type of compensation anche the merchandise must be returned FOB our warehouse. The warranty only cover surface defects (scartches, dings, etc.) on fitting that have not been installed and used, returned in its original packaging with all components. O-ring, gasket seals and components subject to wear proportional to use are warranted for 2 years.

#### **The warranty is void in the following cases:**

Error installing and putting the product into service.

Deterioration of finisched surfaces due to use of cleaning products containing acids or abrasive substances.

Deterioration of surface with finishes other than chrome plating. Their durability is, in fact, dependent on the user's care and gentleness of use.

Deterioration of the fitting due incorrect installation.

Improper repairs and maintenance performed without the company's prior authorization.

The warranty from IB Rubinetterie SpA is not renewable.

#### **Cleaning**

We recommended cleaning the finish surfaces with water and soap, using a soft cloth.

Do not use detergents that cointain hydrochloric acid or abrasive substances.