

Collection

COLORE

Article

C0314

Description

Three ways wall shower mixer

Built-in body to be purchased separately INC314

Box Dimensions

370x270x80 mm

Weight

1.9 kg

Finishes

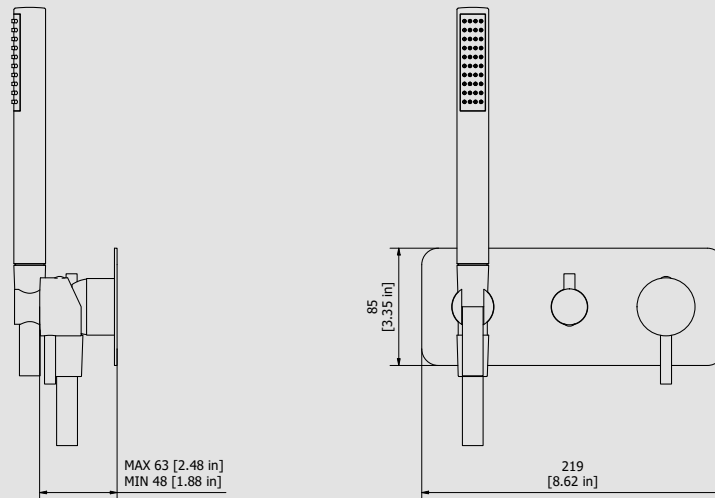
● **BL**
GARDA BLUE

● **GI**
FRANCIACORTA YELLOW

● **VD**
MADDALENA GREEN



Dimensions



Cartridge

Ø35 ceramic cartridge

Threaded fitting

Aerator

Flow Rate (+/-10%)

1 BAR
8.3 l/m

2 BAR
11.7 l/m

3 BAR
14.3 l/m

Production

Main body is a machined from a solid pieces

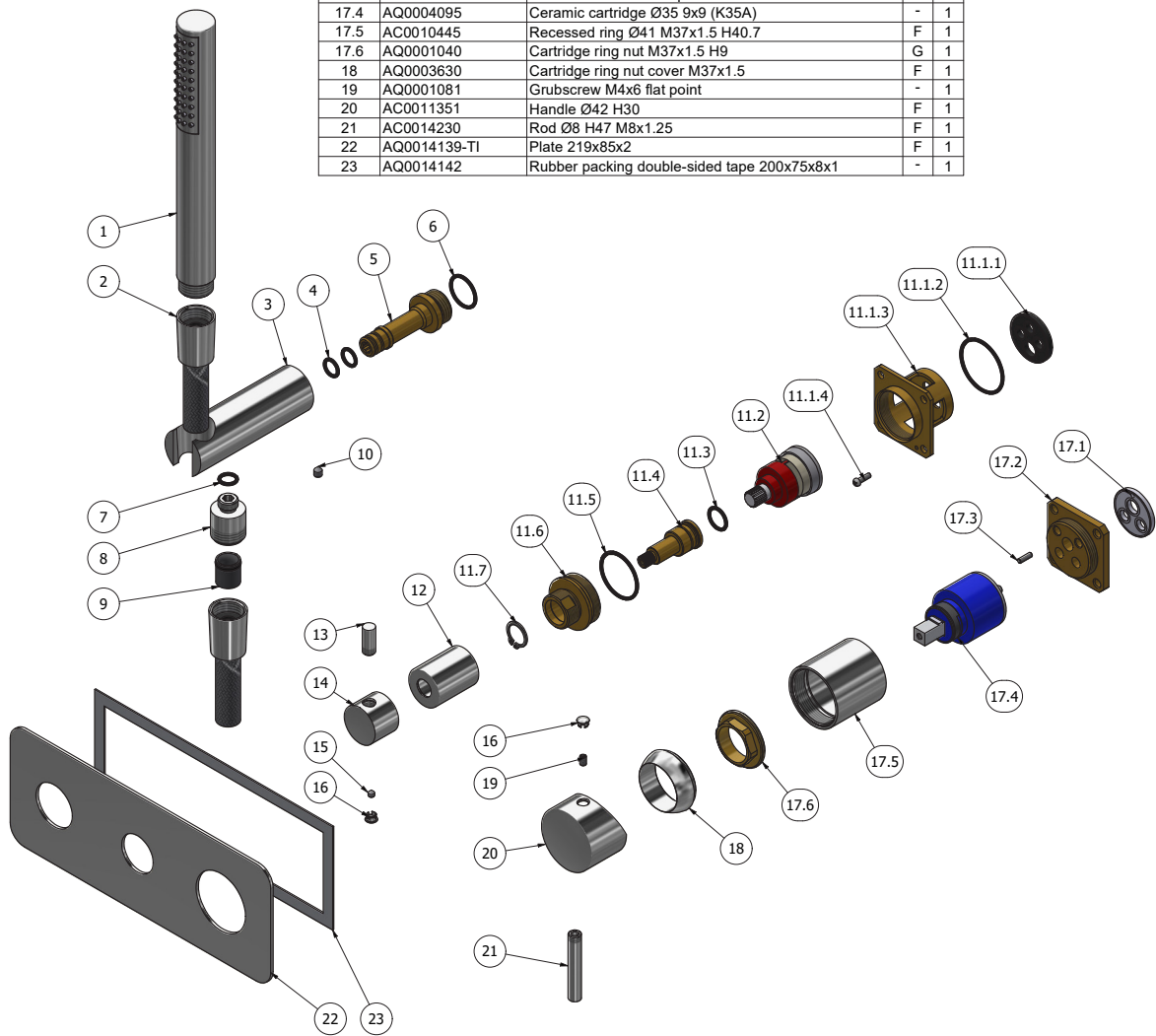
Material

BRASS
According to CuZn39PB3 (CW614N)
Max Lead content: 2.5%



WE ARE IB

Parts list				
ITEMS	CODE	DESCRIPTION	FIN	QTA
1	AQ0012085	Hand shower stilo Ø23 H196	F	1
2	AQ0018056	Flex snapon G1/2" F L150cm Silver	F	1
3	AC0013053	Hand shower's support Ø30 L94.8	F	1
4	AQ0004180	OR 9.25x1.78 NBR 70 SH	-	2
5	AS0018164	Bayonet coupling G1/2" M H62.5	G	1
6	AQ0004640	OR 18.77x1.78 NBR 70 SH	-	1
7	AQ0001340	OR 8.73x1.78 NBR 70 SH	-	1
8	AC0013052	Reduction G1/2" M M12x1 M H20.5	F	1
9	AQ0013247	Flow reduction+CV Ø15 4L	-	1
10	AQ0014670	Grubscrew M5x6 cone point	-	1
11	CPDEV3VXXXN_1	Preassembled diverter three ways	-	1
11.1	CP13047XXN_1	Preassembled diverter three ways	-	1
11.1.1	AQ0015686	Rubber Ø32 H4	-	1
11.1.2	AQ0008026	OR 33.05x1.78 NBR 70 SH	-	1
11.1.3	AS0013047	Insert 47x47x32	G	1
11.1.4	AQ0012206	Inox screw M3x10	-	1
11.2	AQ0014857	Diverter cartridge 3 outlets 180°	-	1
11.3	AQ0004610	OR 12.42x1.78 NBR 70 SH	-	1
11.4	AS0013048	Rod Ø17.9 H42.4	G	1
11.5	AQ0010597	OR 28.3x1.78 NBR 70 SH	-	1
11.6	AS0013050	Junction M32x1 M22x1 H23	G	1
11.7	AQ0015748	Seeger ring Ø14 H1	-	1
12	AC0013054	Ring Ø26 M22x1 F H33	F	1
13	AC0007092	Handle knob M8 H19	F	1
14	AC0011372	Diverter's knob Ø26 H20	F	1
15	AQ0001082	Grubscrew M4x4 cone point	-	1
16	AQ0006650	Plug cover Ø7	F	2
17	CPIN206CC-19	Mixer 47x47 x recessed	-	1
17.1	AQ0015684	Gasket Ø31 H3.5 Ø7 Ø7.5	-	1
17.2	AS0013040	Insert 47x47 H11 M37x1.5	G	1
17.3	AQ0015357	Grubscrew M3x10 flat point	-	1
17.4	AQ0004095	Ceramic cartridge Ø35 9x9 (K35A)	-	1
17.5	AC0010445	Recessed ring Ø41 M37x1.5 H40.7	F	1
17.6	AQ0001040	Cartridge ring nut M37x1.5 H9	G	1
18	AQ0003630	Cartridge ring nut cover M37x1.5	F	1
19	AQ0001081	Grubscrew M4x6 flat point	-	1
20	AC0011351	Handle Ø42 H30	F	1
21	AC0014230	Rod Ø8 H47 M8x1.25	F	1
22	AQ0014139-TI	Plate 219x85x2	F	1
23	AQ0014142	Rubber packing double-sided tape 200x75x8x1	-	1





WARRANTY

All IB Rubinetterie SpA products are warranted for 10 years from the date of purchase, for the following cases:

- Defects of casting, porosity and chrome plating.
- Operating defects caused by incorrect fabrication.

The warranty provides for repair or replacement of products with fabrication defects recognized by our technical office. There is no other type of compensation anche the merchandise must be returned FOB our warehouse. The warranty only cover surface defects (scatches, dings, etc.) on fitting that have not been installed and used, returned in its original packaging with all components. O-ring, gasket seals and components subject to wear proportional to use are warranted for 2 years.

The warranty is void in the following cases:

Error installing and putting the product into service.

Deterioration of finished surfaces due to use of cleaning products containing acids or abrasive substances. Deterioration of surface with finishes other than chrome plating. Their durability is, in fact, dependent on the user's care and gentleness of use.

Deterioration of the fitting due incorrect installation.

Improper repairs and maintenance performed without the company's prior authorization.

The warranty from IB Rubinetterie SpA is not renewable.

Cleaning

We recommended cleaning the finish surfaces with water and soap, using a soft cloth.

Do not use detergents that contain hydrochloric acid or abrasive substances.

