



# IB RUBINETTI

Collection

## DROP

Article

## DR001

Description

**Showerhead blue**

Box Dimensions

**120 x 120 x 165 mm**

Weight

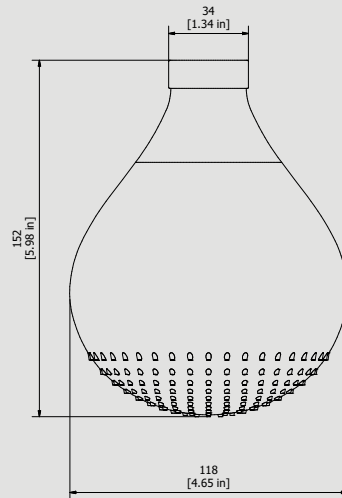
**0.5 kg**

Finishes

- **CC**  
CHROME
- **CF**  
BLACK CHROME
- **BG**  
GLOSSY WHITE
- **NG**  
GLOSSY BLACK
- **SS**  
BRUSHED NICKEL
- **CS**  
BRUSHED BLACK CHROME
- **BO**  
MATT WHITE
- **NP**  
MATT BLACK
- **OO**  
GOLD
- **BB**  
ANTIQUY BRONZE
- **II**  
PALE GOLD
- **RR**  
ANTIQUY COPPER
- **RS**  
ROSE GOLD
- **ON**  
NATURAL BRASS
- **IS**  
BRUSHED PALE GOLD
- **OS**  
BRUSHED GOLD
- **SR**  
BRUSHED ROSE GOLD
- **PL**  
PLATINUM



Dimensions



Cartridge

Threaded fitting

**Threaded fitting G1/2" F**

Aerator

Flow Rate (+/-10%)

**1 BAR  
10.4 l/min**

**2 BAR  
10.4 l/min**

**3 BAR  
10.4 l/min**

Production

**Main body is a single casted pieces**

Material

**SILICONE**

IB RUBINETTERIE s.p.a  
via dei Pianotti 3/5  
25068 Sarezzo (BS) - Italy -

T. +39 030 802101  
F. +39 030 803097  
info@ibrubinetterie.it

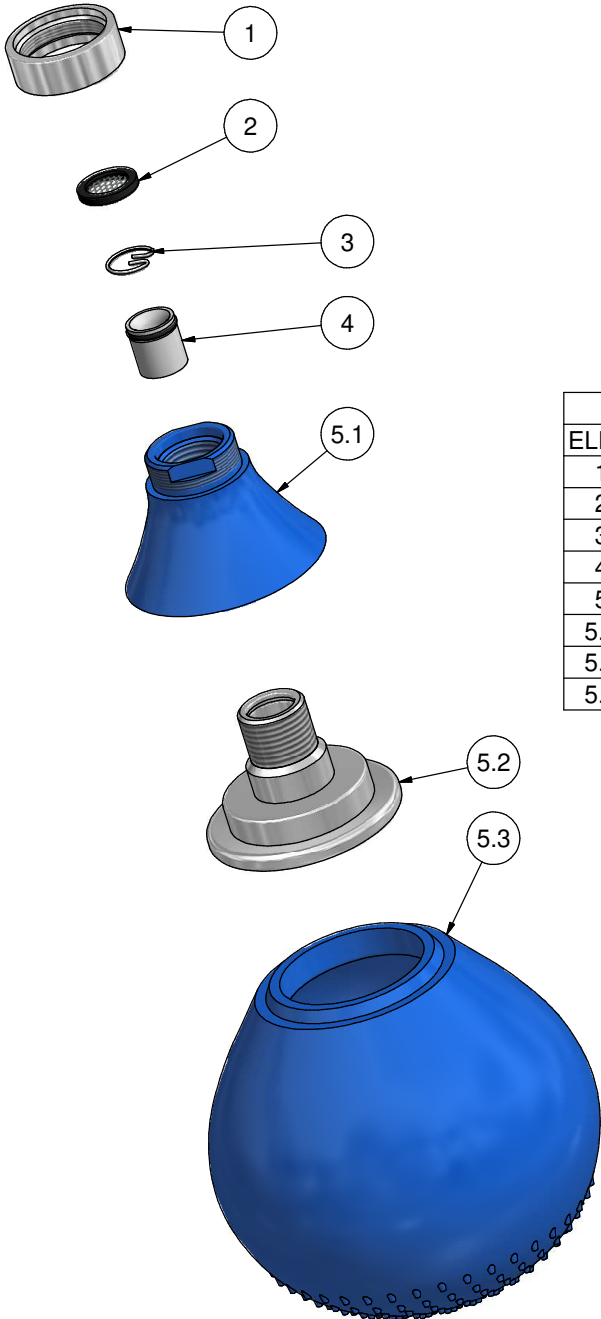
P.IVA 01785230986  
capitale sociale  
€420.000,00 i.v.

WWW.IBRUBINETTI.IT





# IB RUBINETTI



Parts list			
ELEM	CODE	DESCRIPTION	QT
1	AC0010926	Ring cover M28x1 H12	1
2	AQ0010360	Rubber packing 1/2" H2 with filter	1
3	AQ0009678	Elastic ring AISI 302	1
4	AQ0011037	Flow reduction valve Ø15 12LT (31.2092.1)	1
5	CP11038	Preassembled drop blue	1
5.1	ABL010927	Upper attack blue	1
5.2	AS0010928	Insert Ø60 G1/2" H41	1
5.3	AQ0011038	Drop Ø120 Ø30 blue	1

**WARRANTY**

All IB Rubinetterie SpA products are warranted for 10 years from the date of purchase, for the following cases:

- Defects of casting, porosity and chrome plating.
- Operating defects caused by incorrect fabrication.

The warranty provides for repair or replacement of products with fabrication defects recognized by our technical office. There is no other type of compensation anche the merchandise must be returned FOB our warehouse. The warranty only cover surface defects (scatches, dings, etc.) on fitting that have not been installed and used, returned in its original packaging with all components. O-ring, gasket seals and components subject to wear proportional to use are warranted for 2 years.

**The warranty is void in the following cases:**

Error installing and putting the product into service.

Deterioration of finisched surfaces due to use of cleaning products containing acids or abrasive substances. Deterioration of surface with finishes other than chrome plating. Their durability is, in fact, dependent on the user's care and gentleness of use.

Deterioration of the fitting due incorrect installation.

Improper repairs and maintenance performed without the company's prior authorization.

The warranty from IB Rubinetterie SpA is not renewable.

**Cleaning**

We recommended cleaning the finish surfaces with water and soap, using a soft cloth.

Do not use detergents that cointain hydrochloric acid or abrasive substances.

