



WE ARE IB

Collection

ELIO

Article

E0310_2

Description

Exposed parts for manual wall mixer with two 2 diverter.

Built-in body to be purchased separately INC310

Box Dimensions

150x190x98 mm

Weight

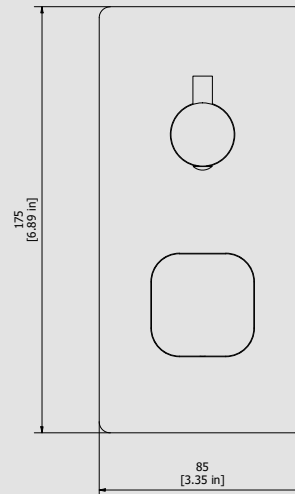
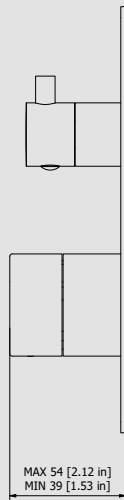
1.2 kg

Finishes

- **CC**
CHROME
- **PL**
PLATINUM
- **SS**
BRUSHED
NICKEL
- **ON**
NATURAL
BRASS
- **BO**
MATT
WHITE
- **NP**
MATT
BLACK
- **CF**
BLACK
CHROME
- **CS**
BRUSHED
BLACK
CHROME
- **II**
PALE
GOLD
- **IS**
BRUSHED
PALE GOLD
- **RS**
ROSE
GOLD
- **SR**
BRUSHED
ROSE GOLD
- **OO**
GOLD
- **OS**
BRUSHED
GOLD
- **RR**
ANTIQUÉ
COPPER
- **MB**
MODERN
BRONZE



Dimensions



Cartridge

Ø35 ceramic cartridge

Threaded fitting

Aerator

Flow Rate (+/-10%)

1 BAR	2 BAR	3 BAR
9.8 l/m	13.7 l/m	16.6 l/m

Production

Main body is a machined from a solid pieces

Material

BRASS
According to CuZn39Pb3 (CW614N)
Max Lead content: 2.5%

IB RUBINETTERIE s.p.a
via dei Pianotti 3/5
25068 Sarezzo (BS) - Italy -

T. +39 030 802101
F. +39 030 803097
info@weareib.it

P.IVA 01785230986
capitale sociale
€420.000,00 i.v.

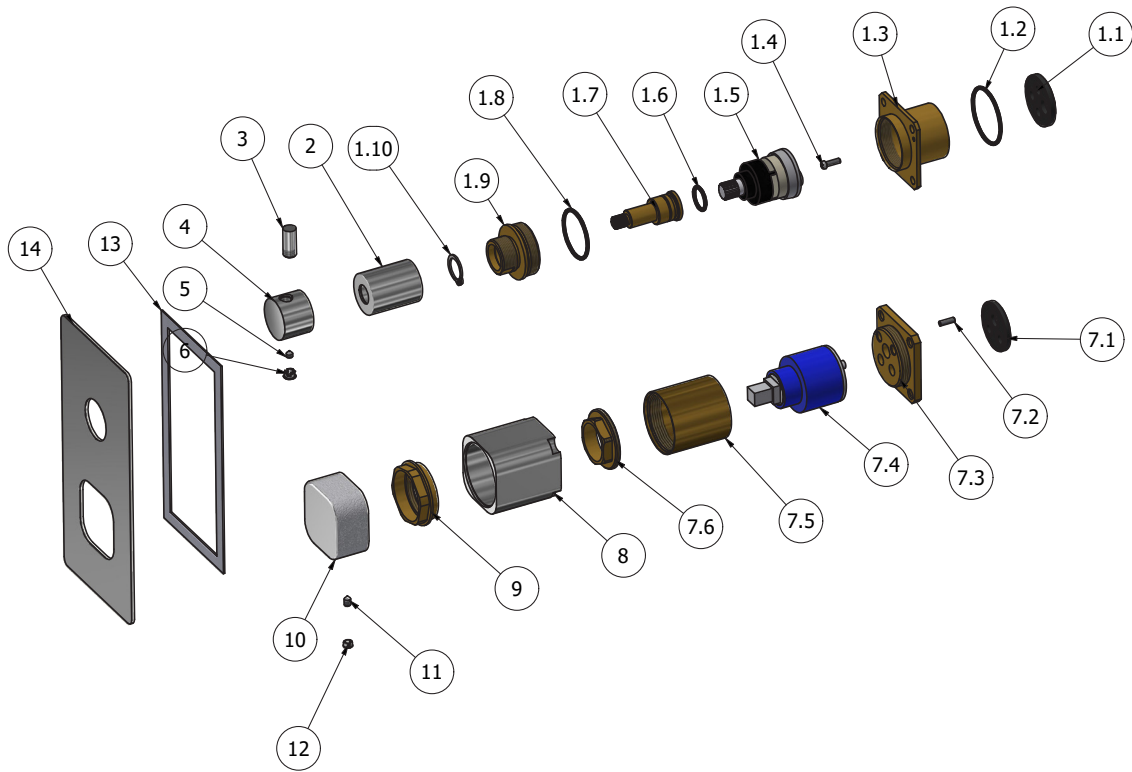
www.weareib.it





WE ARE IB

Parts list			
ELEM.	CODE	DESCRIPTION	QTÀ
1	CPDEV2VCCXN_1	90 ° built-in 2-way diverter 48x48 z8x20	1
1.1	AQ0015686	Rubber Ø32 H4	1
1.2	AQ0008026	OR 33.05x1.78 NBR 70 SH	1
1.3	AS0013047	Insert 47x47x32	1
1.4	AQ0012206	Inox screw M3x10	1
1.5	AQ0017450	Cartridge dev. 2 outputs 90°	1
1.6	AQ0004610	OR 12.42x1.78 NBR 70 SH	1
1.7	AS0013048	Rod Ø17.9 H42.4	1
1.8	AQ0010597	OR 28.3x1.78 NBR 70 SH	1
1.9	AS0013050	Junction M32x1 M22x1 H23	1
1.10	AQ0015748	Seeger ring Ø14 H1	1
2	AC0013054	Ring Ø26 M22x1 F H33	1
3	AC0007092	Handle knob M8 H19	1
4	AC0011372	Diverter's knob Ø26 H20	1
5	AQ0001082	Grub screw M4x4 cone point	1
6	AQ0006650	Plug cover Ø7	1
7	CP300CCXN_19	Pre assemble mixer 47x47 x recessed	1
7.1	AQ0015684	Gasket Ø31 H3.5 Ø7 Ø7.5	1
7.2	AQ0015357	Grubscrew M3x10 flat point	1
7.3	AS0013040	Insert 47x47 H11 M37x1.5	1
7.4	AQ0013271	Ceramic cartridge KRJ 35A 9x9	1
7.5	AS0016810	Ring for recessed shower mixer	1
7.6	AS0016806	Cartridge ring nut	1
8	AC0016809	Square ring 42x42 H44.2	1
9	AS0016807	Ring Ø40 M30x1.5 F.	1
10	AC0016802	Handle 42x42 H21.5 coral	1
11	AQ0010444	Grubscrew M4x6 cone point	1
12	AQ0012203	Plug	1
13	AQ0012239	Rubber packing double-sided tape 145x75x8x1	1
14	AC0016813	Plate 175x85x2	1





WE ARE IB

WARRANTY

All IB Rubinetterie SpA products are warranted for 10 years from the date of purchase, for the following cases:

- Defects of casting, porosity and chrome plating.
- Operating defects caused by incorrect fabrication.

The warranty provides for repair or replacement of products with fabrication defects recognized by our technical office. There is no other type of compensation anche the merchandise must be returned FOB our warehouse. The warranty only cover surface defects (scartches, dings, etc.) on fitting that have not been installed and used, returned in its original packaging with all components. O-ring, gasket seals and components subject to wear proportional to use are warranted for 2 years.

The warranty is void in the following cases:

Error installing and putting the product into service.

Deterioration of finisched surfaces due to use of cleaning products containing acids or abrasive substances.

Deterioration of surface with finishes other than chrome plating. Their durability is, in fact, dependent on the user's care and gentleness of use.

Deterioration of the fitting due incorrect installation.

Improper repairs and maintenance performed without the company's prior authorization.

The warranty from IB Rubinetterie SpA is not renewable.

Cleaning

We recommended cleaning the finish surfaces with water and soap, using a soft cloth.

Do not use detergents that cointain hydrochloric acid or abrasive substances.