

Collection

**ELIO**

Article

**E0800**

Description

**Shower column**

Box Dimensions

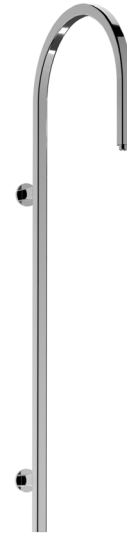
**1200x520x120 mm**

Weight

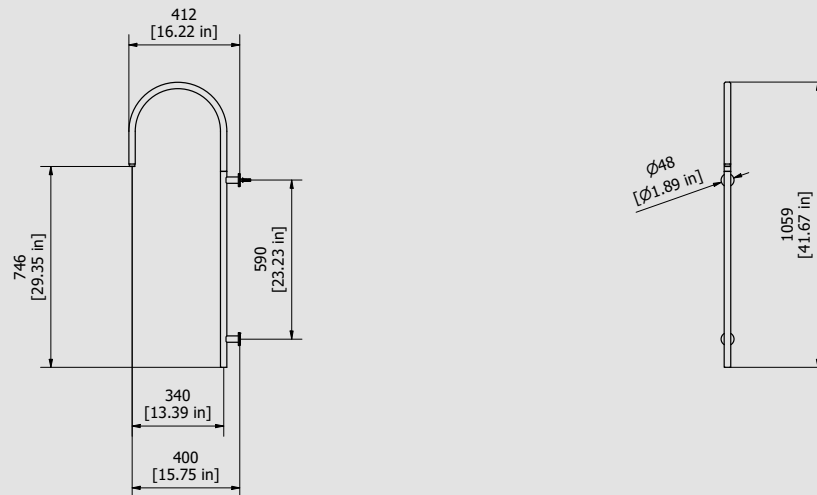
**9.5 kg**

Finishes

- **CC**  
CHROME
- **PL**  
PLATINUM
- **SS**  
BRUSHED  
NICKEL
- **ON**  
NATURAL  
BRASS
- **BO**  
MATT  
WHITE
- **NP**  
MATT  
BLACK
- **CF**  
BLACK  
CHROME
- **CS**  
BRUSHED  
BLACK  
CHROME
- **II**  
PALE  
GOLD
- **IS**  
BRUSHED  
PALE GOLD
- **RS**  
ROSE  
GOLD
- **SR**  
BRUSHED  
ROSE GOLD
- **OO**  
GOLD
- **OS**  
BRUSHED  
GOLD
- **RR**  
ANTIQUÉ  
COPPER
- **MB**  
MODERN  
BRONZE



Dimensions



Cartridge

Threaded fitting

**G1/2" Male**

Aerator

Flow Rate (+/-10%)

<b>1 BAR</b>	<b>2 BAR</b>	<b>3 BAR</b>
<b>11.4 l\m</b>	<b>16.8 l\m</b>	<b>21 l\m</b>

Production

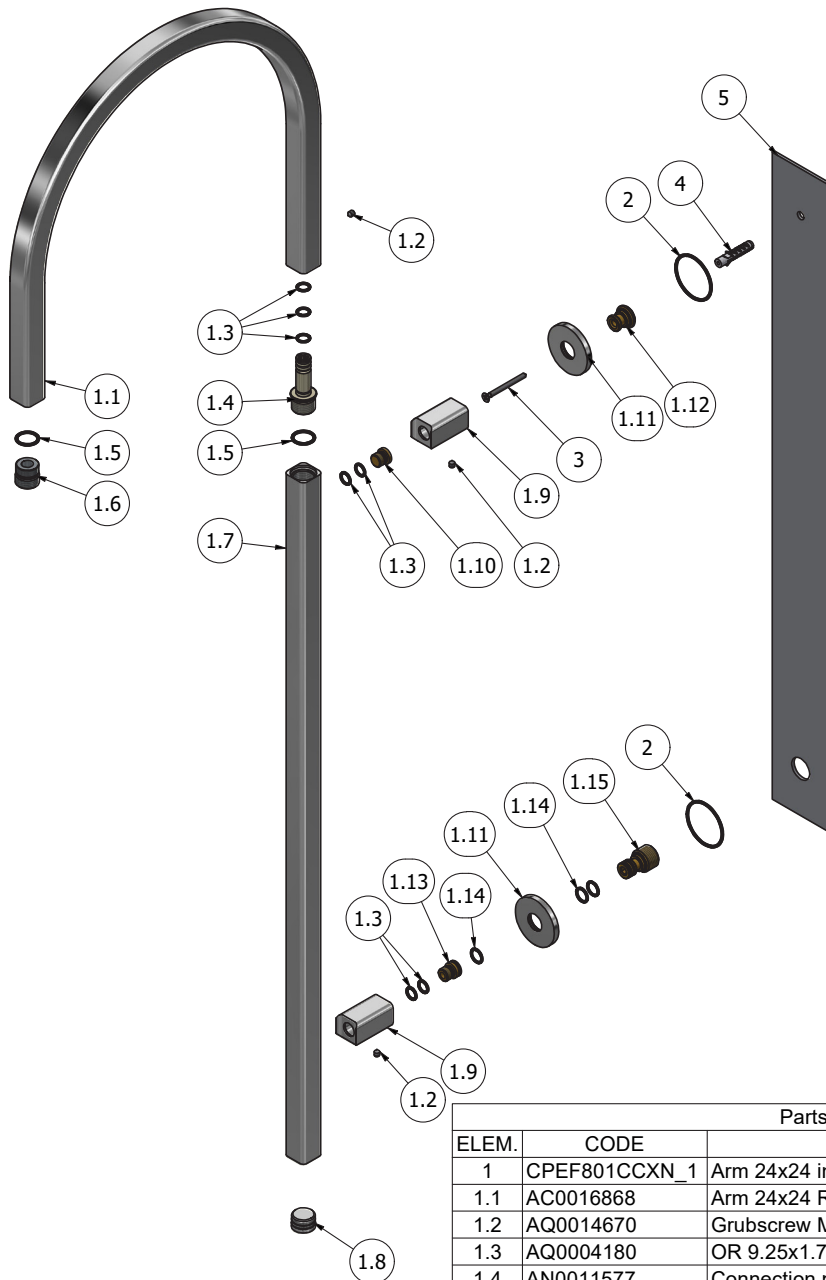
**Main body is a machined from a solid pieces**

Material

**BRASS**  
According to CuZn39Pb3 (CW614N)  
Max Lead content: 2.5%



WE ARE IB



Parts list

ELEM.	CODE	DESCRIPTION	QTÀ
1	CPEF801CCXN_1	Arm 24x24 int.745.5x400	1
1.1	AC0016868	Arm 24x24 R175 M20X1 F.	1
1.2	AQ0014670	Grubscrew M5x6 cone point	3
1.3	AQ0004180	OR 9.25x1.78 NBR 70 SH	7
1.4	AN0011577	Connection piece for spout-out G1/2" L55	1
1.5	AQ0009841	OR 17x2 NBR 70 SH	2
1.6	AC0011046	Connection G1/2" M20x1 H20 CH10	1
1.7	AC0016867	Shaft 24x24 L727 G1/2" F	1
1.8	AQ0014617	Plug G1/2" short	1
1.9	AC0016873	Support 24x24 H46	2
1.10	AS0016872	Plug Ø13.7 M12x1M H13	1
1.11	AC0017286	Rosotte Ø48 H5.5 G1/2" F	2
1.12	AS0016869	Insert G1/2M H18	1
1.13	AS0016871	Insert Ø13.7 M12x1M H16	1
1.14	AQ0001350	OR 11.11x1.78 NBR 70 SH	3
1.15	AS0016870	Insert H2o G1/2M H34.5	1
2	AQ0013363	OR 41x2 NBR 70 SH	2
3	AQ0010626	Inox screw Ø4 L50	1
4	AQ0010660	Dowel fisher Ø8 L40	1
5	AS0017084	Template 690x70	1



WE ARE IB

### WARRANTY

All IB Rubinetterie SpA products are warranted for 10 years from the date of purchase, for the following cases:

- Defects of casting, porosity and chrome plating.
- Operating defects caused by incorrect fabrication.

The warranty provides for repair or replacement of products with fabrication defects recognized by our technical office. There is no other type of compensation anche the merchandise must be returned FOB our warehouse. The warranty only cover surface defects (scartches, dings, etc.) on fitting that have not been installed and used, returned in its original packaging with all components. O-ring, gasket seals and components subject to wear proportional to use are warranted for 2 years.

#### **The warranty is void in the following cases:**

Error installing and putting the product into service.

Deterioration of finished surfaces due to use of cleaning products containing acids or abrasive substances. Deterioration of surface with finishes other than chrome plating. Their durability is, in fact, dependent on the user's care and gentleness of use.

Deterioration of the fitting due incorrect installation.

Improper repairs and maintenance performed without the company's prior authorization.

The warranty from IB Rubinetterie SpA is not renewable.

#### **Cleaning**

We recommended cleaning the finish surfaces with water and soap, using a soft cloth.

Do not use detergents that contain hydrochloric acid or abrasive substances.