

Collection

## AQUA

Article

### EUA121HJ

Description

#### Plate and handles trimkit

Box Dimensions

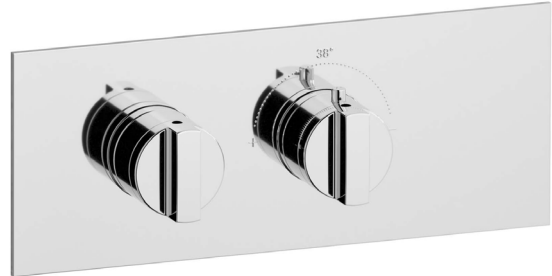
340x180x90 mm

Weight

2.8 kg

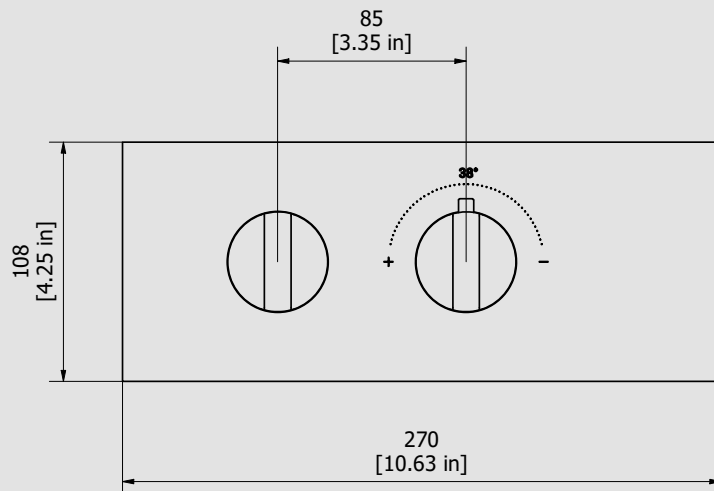
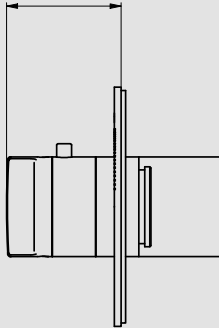
Finishes

- **CC**  
CHROME
- **PL**  
PLATINUM
- **SS**  
BRUSHED  
NICKEL
- **ON**  
NATURAL  
BRASS
- **BO**  
MATT  
WHITE
- **NP**  
MATT  
BLACK
- **CF**  
BLACK  
CHROME
- **CS**  
BRUSHED  
BLACK  
CHROME
- **II**  
PALE  
GOLD
- **IS**  
BRUSHED  
PALE GOLD
- **RS**  
ROSE  
GOLD
- **SR**  
BRUSHED  
ROSE GOLD
- **OO**  
GOLD
- **OS**  
BRUSHED  
GOLD
- **RR**  
ANTIQUÉ  
COPPER
- **MB**  
MODERN  
BRONZE



Dimensions

MAX 57 [2.24 in]  
MIN 47 [1.85 in]



Cartridge

-

Threaded fitting

-

Aerator

-

Flow Rate (+/-10%)

1 BAR  
l/m

2 BAR  
l/m

3 BAR  
l/m

Production

Main body is a machined from a solid pieces

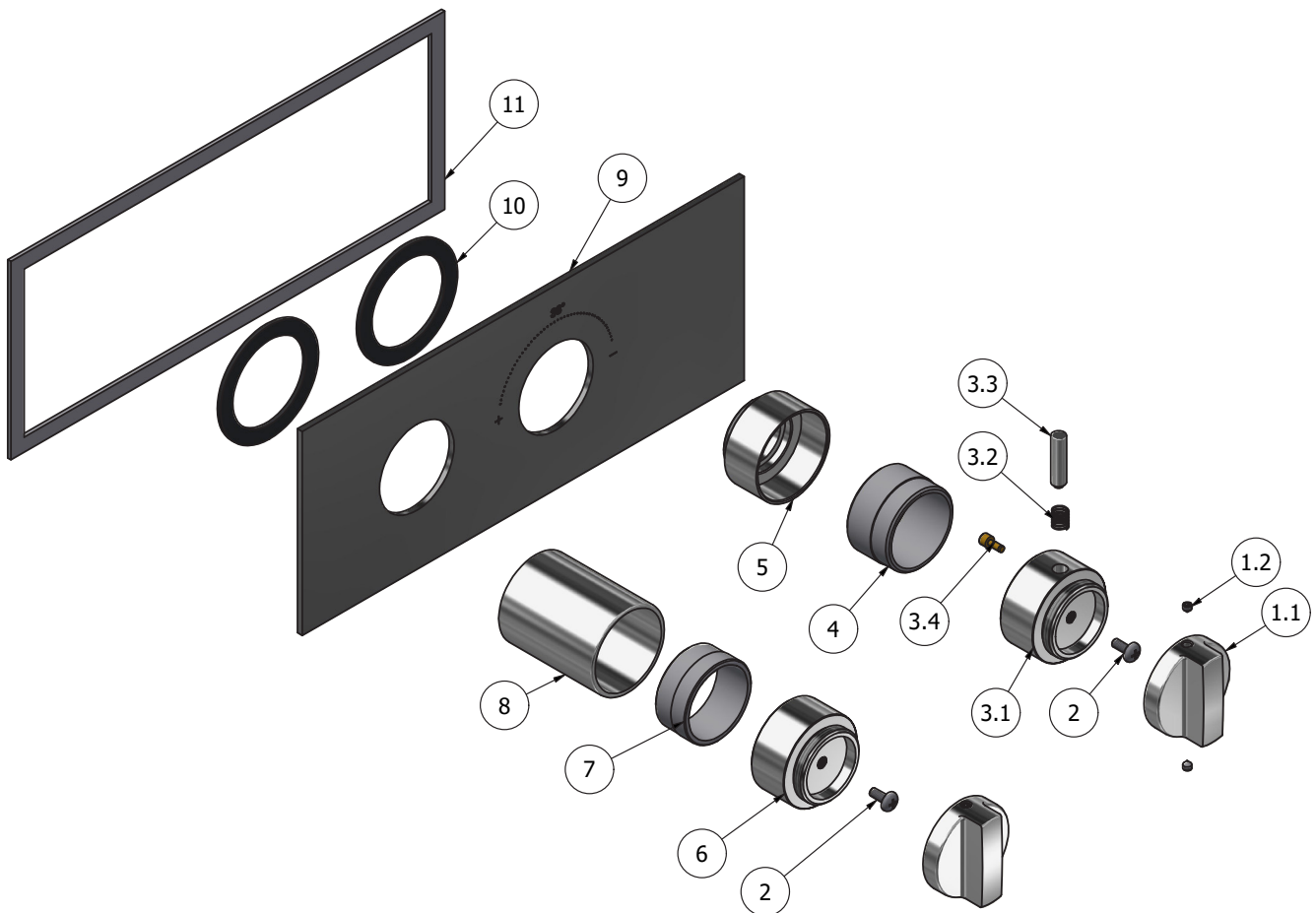
Material

**BRASS**  
According to CuZn39Pb3 (CW614N)  
Max Lead content: 2.5%



WE ARE IB

| Parts list |              |  |     |     |
|------------|--------------|--|-----|-----|
| ITEMS      | CODE         | DESCRIPTION                                | FIN | QTÀ |
| 1          | CP10826CC-1  | Preassembled handle Ø45                    | -   | 2   |
| 1.1        | AC0010826    | Handle Ø45                                 | F   | 1   |
| 1.2        | AQ0001082    | Grubscrew M4x4 cone point                  | -   | 2   |
| 2          | AQ0002160    | Screw M4x10                                | -   | 2   |
| 3          | CP7043CCXN_1 | Thermo regulaton handle body               | -   | 1   |
| 3.1        | AC0007043    | Handle thermoregulation                    | F   | 1   |
| 3.2        | AQ0008086    | Spring for thermo plug Ø6 F0.5 L8.5        | G   | 1   |
| 3.3        | AC0011424    | Plug for thermo handle H27                 | F   | 1   |
| 3.4        | AS0007045    | Pin for thermo lever button Ø6 H11.6       | G   | 1   |
| 4          | AS0013025    | Centering bush Ø40.95 Ø41.95 H25           | -   | 1   |
| 5          | AC0011535    | Support Ø45 H25.5 M36x1.5                  | F   | 1   |
| 6          | AC0007042    | Capacity handle body                       | F   | 1   |
| 7          | AS0013024    | Centering bush Ø40.95 Ø40.35 H18.5         | -   | 1   |
| 8          | AC0011537    | Flange for regulation tap Ø45 H56.7        | F   | 1   |
| 9          | ACGC12316_O  | Plate 270x108x3 horizontal °C              | F   | 1   |
| 10         | AQ0013943    | Rubber packing Ø60xØ45 H2                  | -   | 2   |
| 11         | AQ0014224    | Rubber packing double-sided tape 265x105x2 | -   | 1   |





WE ARE IB

### **WARRANTY**

All IB Rubinetterie SpA products are warranted for 10 years from the date of purchase, for the following cases:

- Defects of casting, porosity and chrome plating.
- Operating defects caused by incorrect fabrication.

The warranty provides for repair or replacement of products with fabrication defects recognized by our technical office. There is no other type of compensation anche the merchandise must be returned FOB our warehouse. The warranty only cover surface defects (scartches, dings, etc.) on fitting that have not been installed and used, returned in its original packaging with all components. O-ring, gasket seals and components subject to wear proportional to use are warranted for 2 years.

#### **The warranty is void in the following cases:**

Error installing and putting the product into service.

Deterioration of finisched surfaces due to use of cleaning products containing acids or abrasive substances.

Deterioration of surface with finishes other than chrome plating. Their durability is, in fact, dependent on the user's care and gentleness of use.

Deterioration of the fitting due incorrect installation.

Improper repairs and maintenance performed without the company's prior authorization.

The warranty from IB Rubinetterie SpA is not renewable.

#### **Cleaning**

We recommended cleaning the finish surfaces with water and soap, using a soft cloth.

Do not use detergents that cointain hydrochloric acid or abrasive substances.