



WE ARE IB

Collection

HERMES ELLE

Article

HL306_2

Description

Wall mounted widespread lavatory faucet.

Box Dimensions

265x260x70 mm

Weight

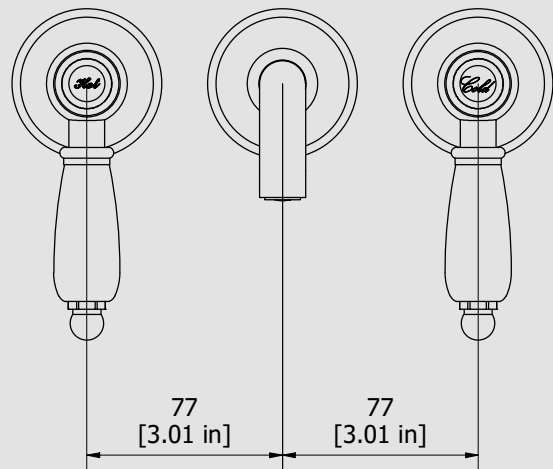
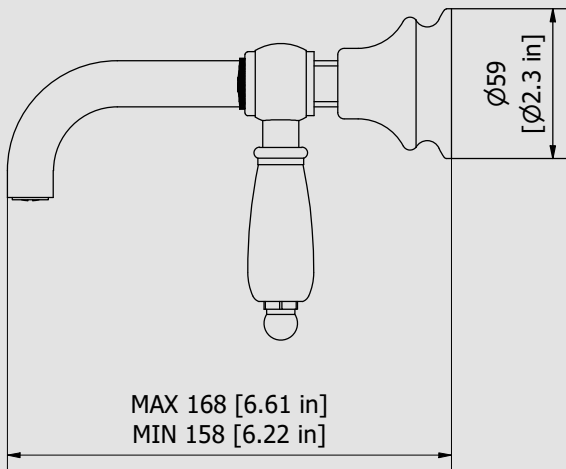
1.8 kg

Finishes

- **CC**
CHROME
- **PL**
PLATINUM
- **SS**
BRUSHED
NICKEL
- **ON**
NATURAL
BRASS
- **BO**
MATT
WHITE
- **NP**
MATT
BLACK
- **CF**
BLACK
CHROME
- **CS**
BRUSHED
BLACK
CHROME
- **II**
PALE
GOLD
- **IS**
BRUSHED
PALE GOLD
- **RS**
ROSE
GOLD
- **SR**
BRUSHED
ROSE GOLD
- **OO**
GOLD
- **OS**
BRUSHED
GOLD
- **RR**
ANTIQUÉ
COPPER
- **BB**
ANTIQUÉ
BRONZE



Dimensions



Cartridge

Ceramic headwork

Threaded fitting

Aerator

M16.5x1

Flow Rate (+/-10%)

1 BAR	2 BAR	3 BAR
9 l/m	13 l/m	15 l/m

Production

Main body is a single casted pieces.

Material

BRASS
According to CuZn40Pb3 (CW614N)
Max Lead content: 2.5%

IB RUBINETTERIE s.p.a
via dei Pianotti 3/5
25068 Sarezzo (BS) - Italy -

T. +39 030 802101
F. +39 030 803097
info@weareib.it

P.IVA 01785230986
capitale sociale
€420.000,00 i.v.

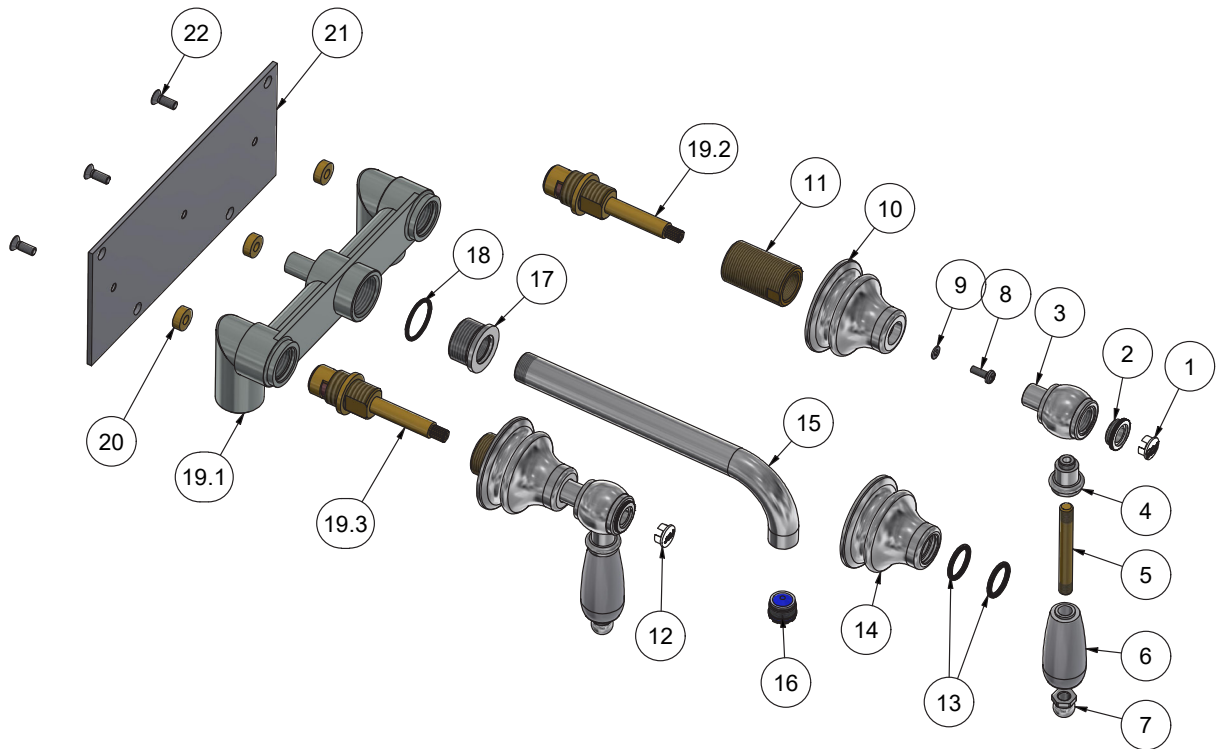
www.weareib.it





WE ARE IB

ELENCO PARTI			
ELEMENTO	CODICE	DESCRIZIONE	QTÀ
1	AQ0013552	Placchetta maniglia cold	1
2	AQ0009069	Placchetta Ø20 PLS per maniglia	2
3	AC0003397	Corpo maniglia leva inglese	2
4	AC0004500	Inserto maniglia leva	2
5	AT0004520	Asta M8x1 L68.5	2
6	AQ0004525	Impugnatura maniglia leva	2
7	AC0004510	Dado bombato	2
8	AQ0010985	Vite inox M4x12	2
9	ISO 8738 - 4	Rondelle piatte per perni - Grado prodotto A	2
10	AC0007131	Campana Ø58.5 W26x19 H44.5	2
11	AS0010197	Bussola vitone W26x19 W19x19 H42	2
12	AQ0013551	Placchetta maniglia hot	1
13	AQ0010978	OR 17.46x2.62 NBR 70 SH	2
14	AC0012298	Campana Ø58.5 Ø18.5 H44.5	1
15	AC0011995	Bocca M18x1 M16.5x1 Ø18 L194	1
16	AQ0014236	Corpo aeratore M16.5x1 cachè coin slot (44.3230.450)	1
17	AC0012299	Inserto porta bocca G3/4" M18x1 H18	1
18	AQ0010972	OR 23x2 NBR 70 SH	1
19	CP1555-1	Corpo lavabo incasso premontato	1
19.1	CT0001555	Corpo incasso int.153 G1/2" uscita G3/4"	1
19.2	AQ0009356	Vitone ceramico 90° destro COLD	1
19.3	AQ0009357	Vitone ceramico 90° sinistro HOT	1
20	AS0012300	Rondella Ø14 Ø6 H5	3
21	AQ0014264	Piastra di fissaggio 200x90x3	1
22	AQ0014265	Vite inox M5x14	3





WE ARE IB

WARRANTY

All IB Rubinetterie SpA products are warranted for 10 years from the date of purchase, for the following cases:

- Defects of casting, porosity and chrome plating.
- Operating defects caused by incorrect fabrication.

The warranty provides for repair or replacement of products with fabrication defects recognized by our technical office. There is no other type of compensation anche the merchandise must be returned FOB our warehouse. The warranty only cover surface defects (scartches, dings, etc.) on fitting that have not been installed and used, returned in its original packaging with all components. O-ring, gasket seals and components subject to wear proportional to use are warranted for 2 years.

The warranty is void in the following cases:

Error installing and putting the product into service.

Deterioration of finished surfaces due to use of cleaning products containing acids or abrasive substances. Deterioration of surface with finishes other than chrome plating. Their durability is, in fact, dependent on the user's care and gentleness of use.

Deterioration of the fitting due incorrect installation.

Improper repairs and maintenance performed without the company's prior authorization.

The warranty from IB Rubinetterie SpA is not renewable.

Cleaning

We recommended cleaning the finish surfaces with water and soap, using a soft cloth.

Do not use detergents that contain hydrochloric acid or abrasive substances.