

Collection

HERMES ELLE

Article

HL393_2

Description

Three holes bidet set.

Box Dimensions

425x188x98 mm

Weight

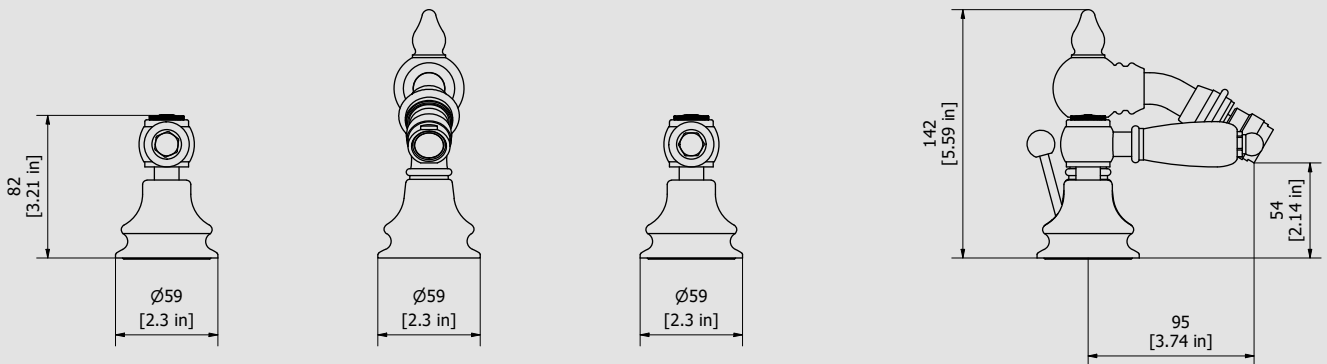
3.4 kg

Finishes

- **CC**
CHROME
- **PL**
PLATINUM
- **SS**
BRUSHED
NICKEL
- **ON**
NATURAL
BRASS
- **BO**
MATT
WHITE
- **NP**
MATT
BLACK
- **CF**
BLACK
CHROME
- **CS**
BRUSHED
BLACK
CHROME
- **II**
PALE
GOLD
- **IS**
BRUSHED
PALE GOLD
- **RS**
ROSE
GOLD
- **SR**
BRUSHED
ROSE GOLD
- **OO**
GOLD
- **OS**
BRUSHED
GOLD
- **RR**
ANTIQUÉ
COPPER
- **BB**
ANTIQUÉ
BRONZE



Dimensions



Cartridge

Ceramic headwork

Hoses

Flex inox M10x1 G1/2" L350

Aerator

M24x1

Flow Rate (+/-10%)

| | | |
|--------------|--------------|--------------|
| 1 BAR | 2 BAR | 3 BAR |
| 9.5 l/m | 14 l/m | 17 l/m |

Production

Main body is a single casted pieces.

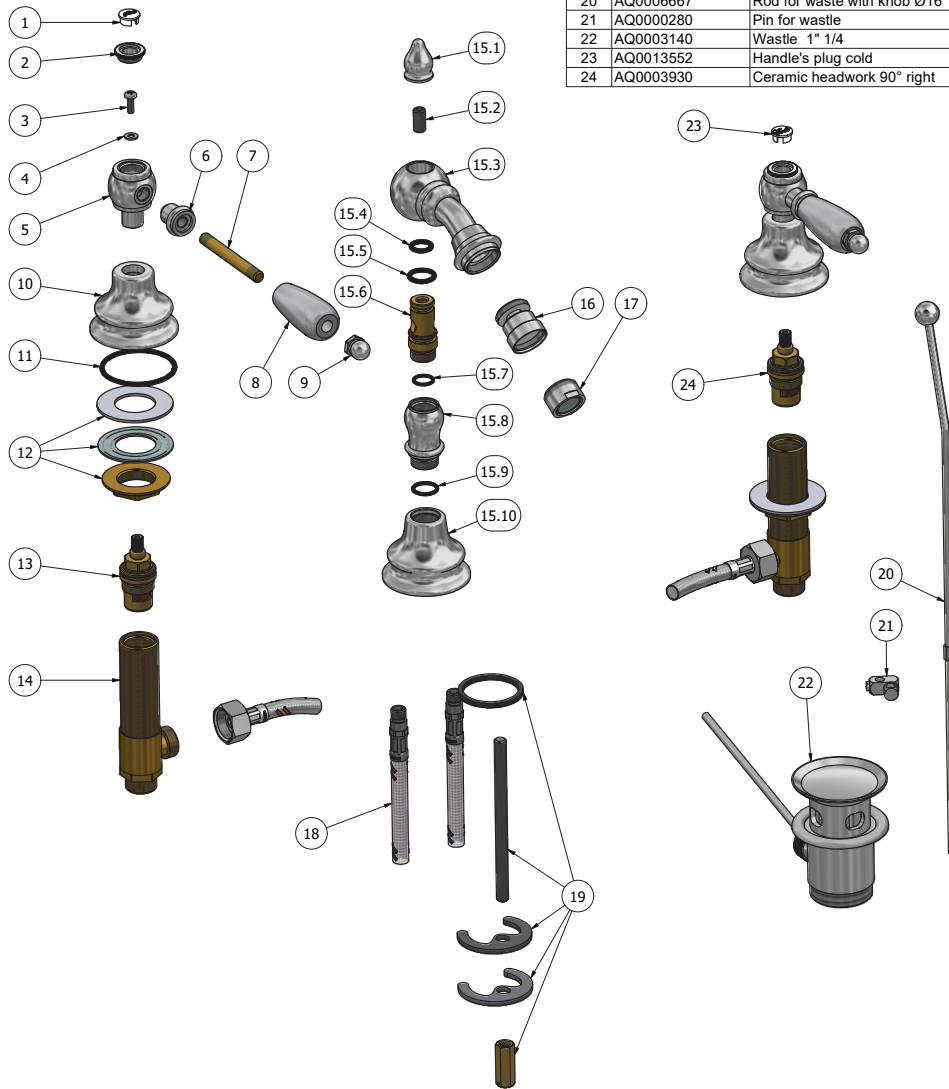
Material

BRASS
According to CuZn40Pb3 (CW614N)
Max Lead content: 2.5%



WE ARE IB

| Elenco parti | | | |
|--------------|---------------|--|-----|
| ELEM. | CODICE | NUMERO DI MAGAZZINO | QTA |
| 1 | AQ0013551 | Handle's plug hot | 1 |
| 2 | AQ0009069 | Cover Ø20 PLS | 2 |
| 3 | AQ0010985 | Screw M4x12 | 2 |
| 4 | AQ0010229 | Washer Ø4 | 2 |
| 5 | AC0003397 | Lever Ø31.5 H42 | 2 |
| 6 | AC0004500 | Insert for handle | 2 |
| 7 | AT0004520 | Rod M8x1 L68.5 | 2 |
| 8 | AQ0004525 | Grip handle | 2 |
| 9 | AC0004510 | Domed nut | 2 |
| 10 | AC0007131 | Bell Ø58.5 W26x19 H44.5 | 2 |
| 11 | AQ0010096 | OR 45.7x2.62 NBR 70 SH | 2 |
| 12 | AQ0010271 | Fixing set | 1 |
| 13 | AQ0002135 | Ceramic headwork 90° left | 1 |
| 14 | AS0002250 | Washbasin upright W26x19 | 2 |
| 15 | CPKHR393CCX01 | Pre mounted bidet | 1 |
| 15.1 | AC0007124 | Knob Ø19 M8 H27.4 | 1 |
| 15.2 | AQ0006931 | Pin M8x16 | 1 |
| 15.3 | AC0009340 | Bidet's spout | 1 |
| 15.4 | AQ0001320 | OR 10.78x2.62 NBR 70 SH | 1 |
| 15.5 | AQ0001365 | OR 13.95x2.62 NBR 70 SH | 1 |
| 15.6 | AS0007129 | Insert Ø18.9 G3/8" H 43 M8 | 1 |
| 15.7 | AQ0001350 | OR 11.11x1.78 NBR 70 SH | 1 |
| 15.8 | AC0009347 | Extension M18x1 G3/8" | 1 |
| 15.9 | AQ0001390 | OR 14x2 NBR 70 SH | 1 |
| 15.10 | AC0007132 | Base for extension Ø58.5 H45 M18x1 | 1 |
| 16 | AQ0001940 | Articulated joint M24x1 (69.0151.0) | 1 |
| 17 | AQ0000020 | Aerator M24 x 1 perlator honeycomb (40200503301) | 1 |
| 18 | AQ0000920 | Flex inox M10x1 G1/2" L350 | 2 |
| 19 | AQ0007030 | Fixing set | 1 |
| 20 | AQ0006667 | Rod for waste with knob Ø16 | 1 |
| 21 | AQ0000280 | Pin for waste | 1 |
| 22 | AQ0003140 | Wastle 1" 1/4 | 1 |
| 23 | AQ0013552 | Handle's plug cold | 1 |
| 24 | AQ0003930 | Ceramic headwork 90° right | 1 |





WE ARE IB

WARRANTY

All IB Rubinetterie SpA products are warranted for 10 years from the date of purchase, for the following cases:

- Defects of casting, porosity and chrome plating.
- Operating defects caused by incorrect fabrication.

The warranty provides for repair or replacement of products with fabrication defects recognized by our technical office. There is no other type of compensation anche the merchandise must be returned FOB our warehouse. The warranty only cover surface defects (scatches, dings, etc.) on fitting that have not been installed and used, returned in its original packaging with all components. O-ring, gasket seals and components subject to wear proportional to use are warranted for 2 years.

The warranty is void in the following cases:

Error installing and putting the product into service.

Deterioration of finished surfaces due to use of cleaning products containing acids or abrasive substances. Deterioration of surface with finishes other than chrome plating. Their durability is, in fact, dependent on the user's care and gentleness of use.

Deterioration of the fitting due incorrect installation.

Improper repairs and maintenance performed without the company's prior authorization.

The warranty from IB Rubinetterie SpA is not renewable.

Cleaning

We recommended cleaning the finish surfaces with water and soap, using a soft cloth.

Do not use detergents that contain hydrochloric acid or abrasive substances.