



WE ARE IB

Collection

# HERMES

Article

## HR320

Description

Wall mounted spout

Box Dimensions

175x125x90 mm

Weight

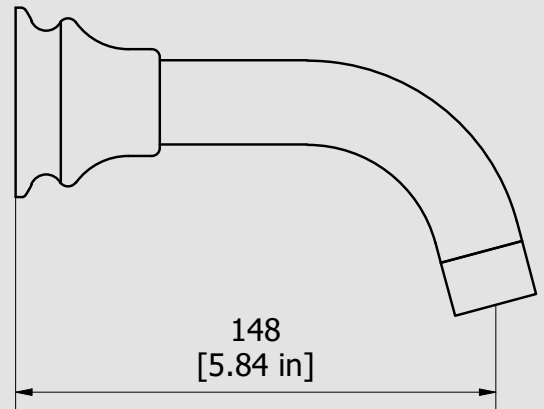
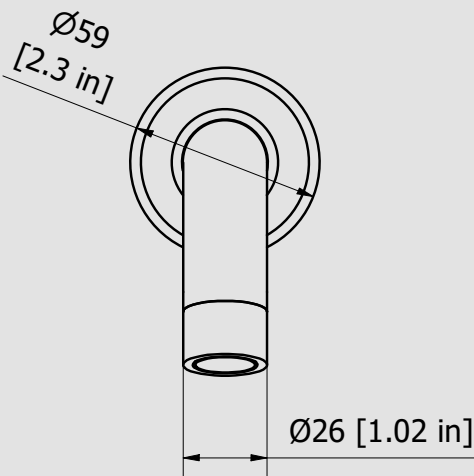
0.3 kg

Finishes

- **CC**  
CHROME
- **PL**  
PLATINUM
- **SS**  
BRUSHED  
NICKEL
- **ON**  
NATURAL  
BRASS
- **BO**  
MATT  
WHITE
- **NP**  
MATT  
BLACK
- **CF**  
BLACK  
CHROME
- **CS**  
BRUSHED  
BLACK  
CHROME
- **II**  
PALE  
GOLD
- **IS**  
BRUSHED  
PALE GOLD
- **RS**  
ROSE  
GOLD
- **SR**  
BRUSHED  
ROSE GOLD
- **OO**  
GOLD
- **OS**  
BRUSHED  
GOLD
- **RR**  
ANTIQUÉ  
COPPER
- **BB**  
ANTIQUÉ  
BRONZE



Dimensions



Cartridge

-

Threaded fitting

**Treaded fitting G1/2" male**

Aerator

**M24x1 perlator coin slot**

Flow Rate (+/-10%)

1 BAR	2 BAR	3 BAR
9.9 l/m	13.8 l/m	16.8 l/m

Production

**Main body is a single casted piece**

Material

**BRASS**  
According to CuZn35Pb2Al-B (CB752S)  
Max Lead content:1.36%

IB RUBINETTERIE s.p.a  
via dei Pianotti 3/5  
25068 Sarezzo (BS) - Italy -

T. +39 030 802101  
F. +39 030 803097  
info@weareib.it

P.IVA 01785230986  
capitale sociale  
€420.000,00 i.v.

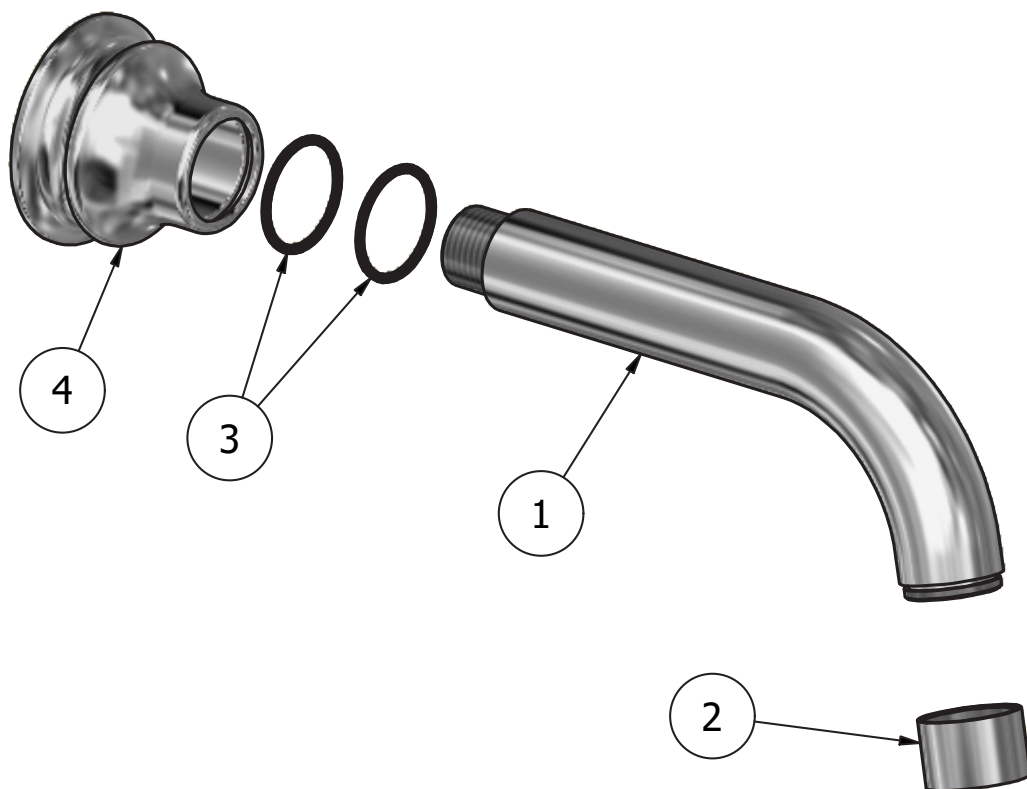
www.weareib.it





WE ARE IB

Parts list			
ITEMS	CODE	DESCRIPTION	QTÀ
1	AC0012558	Spout-out Ø26 L145	1
2	AQ0014681	Aerator Ø26 H17 M24x1 (40.1053.33300)	1
3	AQ0009421	OR 26x2 NBR 70 SH	2
4	AC0012980	Spout's bell Ø58.5 Ø26.5 H44.5	1





WE ARE IB

### WARRANTY

All IB Rubinetterie SpA products are warranted for 10 years from the date of purchase, for the following cases:

- Defects of casting, porosity and chrome plating.
- Operating defects caused by incorrect fabrication.

The warranty provides for repair or replacement of products with fabrication defects recognized by our technical office. There is no other type of compensation anche the merchandise must be returned FOB our warehouse. The warranty only cover surface defects (scatches, dings, etc.) on fitting that have not been installed and used, returned in its original packaging with all components. O-ring, gasket seals and components subject to wear proportional to use are warranted for 2 years.

#### The warranty is void in the following cases:

Error installing and putting the product into service.

Deterioration of finished surfaces due to use of cleaning products containing acids or abrasive substances. Deterioration of surface with finishes other than chrome plating. Their durability is, in fact, dependent on the user's care and gentleness of use.

Deterioration of the fitting due incorrect installation.

Improper repairs and maintenance performed without the company's prior authorization.

The warranty from IB Rubinetterie SpA is not renewable.

#### Cleaning

We recommended cleaning the finish surfaces with water and soap, using a soft cloth.

Do not use detergents that contain hydrochloric acid or abrasive substances.