

Collection

HERMES

Article

HR850

Description

Shower column

Box Dimensions

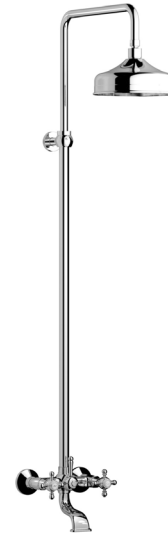
1000x450x680 mm

Weight

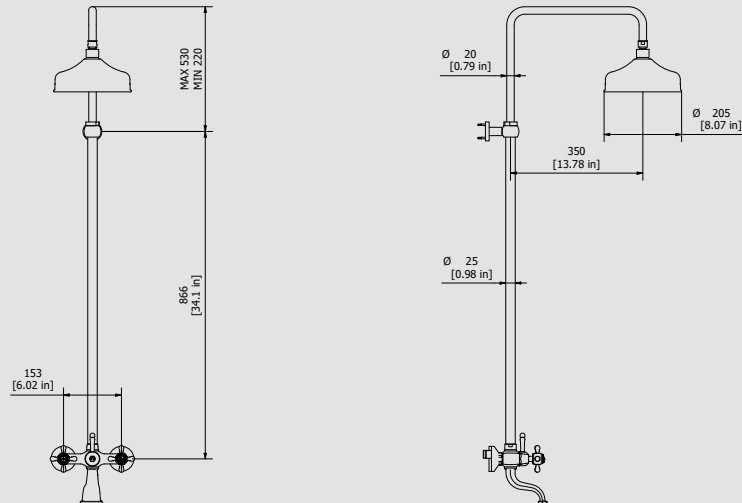
14.2 kg

Finishes

- **CC**
CHROME
- **PL**
PLATINUM
- **SS**
BRUSHED
NICKEL
- **ON**
NATURAL
BRASS
- **BO**
MATT
WHITE
- **NP**
MATT
BLACK
- **CF**
BLACK
CHROME
- **CS**
BRUSHED
BLACK
CHROME
- **II**
PALE
GOLD
- **IS**
BRUSHED
PALE GOLD
- **RS**
ROSE
GOLD
- **SR**
BRUSHED
ROSE GOLD
- **OO**
GOLD
- **OS**
BRUSHED
GOLD
- **RR**
ANTIQUÉ
COPPER
- **BB**
ANTIQUÉ
BRONZE



Dimensions



Cartridge

IB G1/2" ceramics headworks

Threaded fitting

Inox hoses G1/2" male

Aerator

No aerator, free outlet

Flow Rate (+/-10%)

1 BAR	2 BAR	3 BAR
8 l/m	12 l/m	14.5 l/m

Production

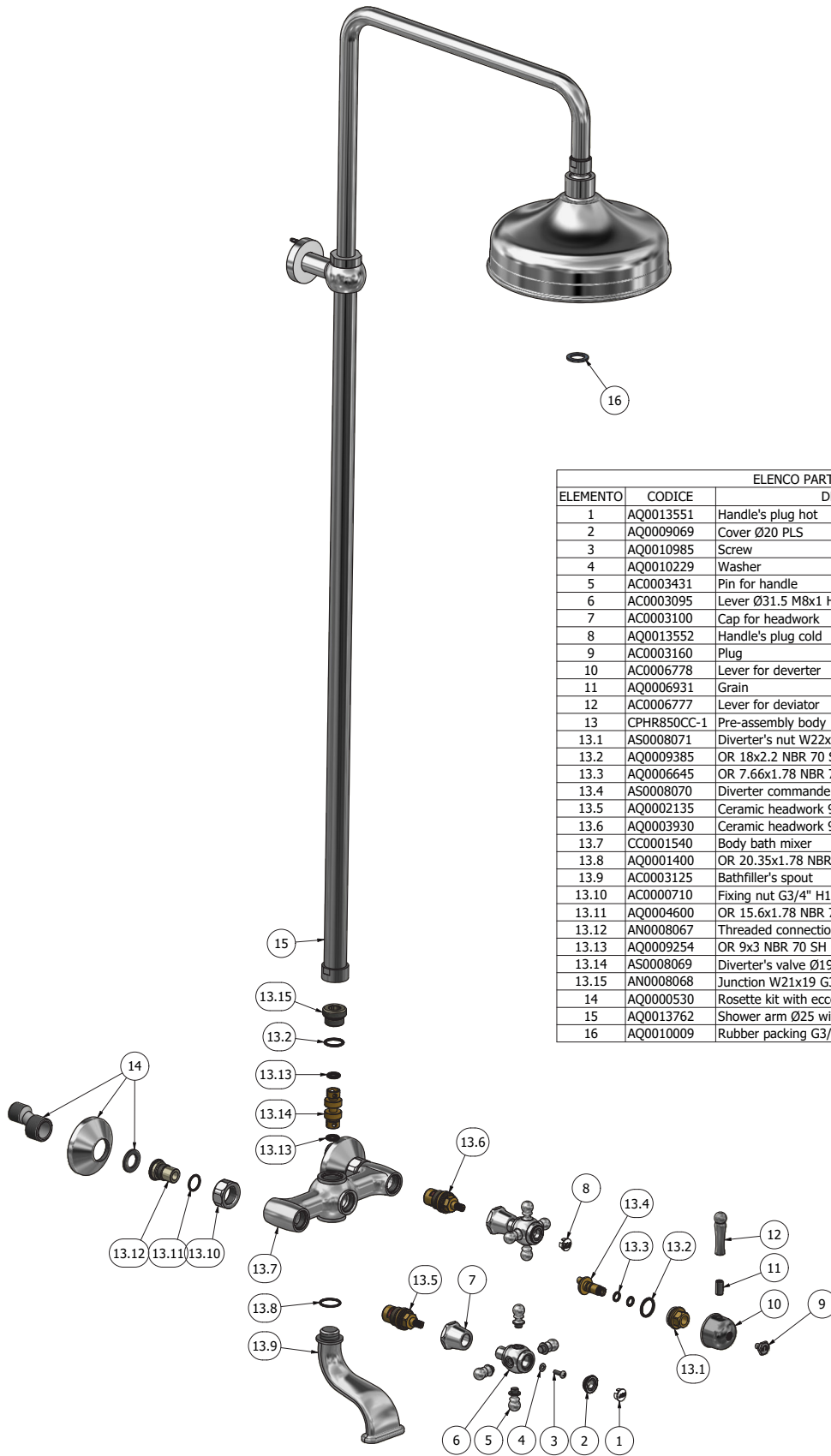
Main body is a single casted piece

Material

BRASS
According to CuZn35Pb2Al-B (CB752S)
Max Lead content:1.36%



WE ARE IB



ELENCO PARTI			
ELEMENTO	CODICE	DESCRIZIONE	QTÀ
1	AQ0013551	Handle's plug hot	1
2	AQ0009069	Cover Ø20 PLS	2
3	AQ0010985	Screw	2
4	AQ0010229	Washer	2
5	AC0003431	Pin for handle	8
6	AC0003095	Lever Ø31.5 M8x1 H42	2
7	AC0003100	Cap for headwork	2
8	AQ0013552	Handle's plug cold	1
9	AC0003160	Plug	1
10	AC0006778	Lever for diverter	1
11	AQ0006931	Grain	1
12	AC0006777	Lever for deviator	1
13	CPHR850CC-1	Pre-assembly body	1
13.1	AS0008071	Diverter's nut W22x19	1
13.2	AQ0009385	OR 18x2.2 NBR 70 SH	2
13.3	AQ0006645	OR 7.66x1.78 NBR 70 SH	2
13.4	AS0008070	Diverter commander Ø19 H42.2	1
13.5	AQ0002135	Ceramic headwork 90° left	1
13.6	AQ0003930	Ceramic headwork 90° right	1
13.7	CC0001540	Body bath mixer	1
13.8	AQ0001400	OR 20.35x1.78 NBR 70 SH	1
13.9	AC0003125	Bathfiller's spout	1
13.10	AC0000710	Fixing nut G3/4" H14 CH30	2
13.11	AQ0004600	OR 15.6x1.78 NBR 70 SH	2
13.12	AN0008067	Threaded connection piece M18x1.5 H28.6	2
13.13	AQ0009254	OR 9x3 NBR 70 SH	2
13.14	AS0008069	Diverter's valve Ø19 H44	1
13.15	AN0008068	Junction W21x19 G3/4" L18.8	1
14	AQ0000530	Rosette kit with eccentric and rubber	2
15	AQ0013762	Shower arm Ø25 with shower head	1
16	AQ0010009	Rubber packing G3/4" 24x16x3	1



WE ARE IB

WARRANTY

All IB Rubinetterie SpA products are warranted for 10 years from the date of purchase, for the following cases:

- Defects of casting, porosity and chrome plating.
- Operating defects caused by incorrect fabrication.

The warranty provides for repair or replacement of products with fabrication defects recognized by our technical office. There is no other type of compensation anche the merchandise must be returned FOB our warehouse. The warranty only cover surface defects (scartches, dings, etc.) on fitting that have not been installed and used, returned in its original packaging with all components. O-ring, gasket seals and components subject to wear proportional to use are warranted for 2 years.

The warranty is void in the following cases:

Error installing and putting the product into service.

Deterioration of finished surfaces due to use of cleaning products containing acids or abrasive substances. Deterioration of surface with finishes other than chrome plating. Their durability is, in fact, dependent on the user's care and gentleness of use.

Deterioration of the fitting due incorrect installation.

Improper repairs and maintenance performed without the company's prior authorization.

The warranty from IB Rubinetterie SpA is not renewable.

Cleaning

We recommended cleaning the finish surfaces with water and soap, using a soft cloth.

Do not use detergents that contain hydrochloric acid or abrasive substances.