



WE ARE IB

Collection

AQUA

Article

IUA300

Description

Built-in thermostatic 3 ways

Box Dimensions

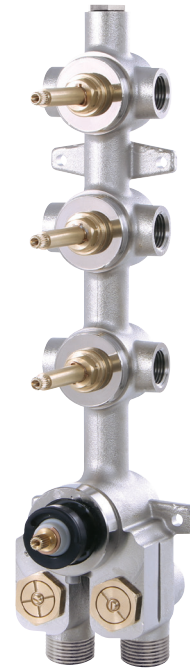
310 x 190 x 165 mm

Weight

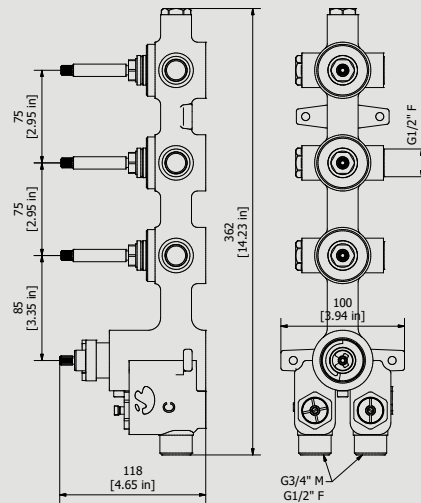
4.8 kg

Finishes

- CC**
CHROME
- CF**
BLACK CHROME
- BG**
GLOSSY WHITE
- NG**
GLOSSY BLACK
- SS**
BRUSHED NICKEL
- CS**
BRUSHED BLACK CHROME
- BO**
MATT WHITE
- NP**
MATT BLACK
- OO**
GOLD
- BB**
ANTIQUY BRONZE
- II**
PALE GOLD
- RR**
ANTIQUY COPPER
- ORS**
ROSE GOLD
- ON**
NATURAL BRASS
- IS**
BRUSHED PALE GOLD
- OS**
BRUSHED GOLD
- SR**
BRUSHED ROSE GOLD
- PL**
PLATINUM



Dimensions



Cartridge

Thermostatic cartridge

Threaded fitting

**Inlet G3/4" male - G1/2" female
Outlet G1/2" female**

Aerator

Flow Rate (+/-10%)

**1 BAR
26 l/min**

**2 BAR
37 l/min**

**3 BAR
45 l/min**

Production

Main body is a single casted pieces

Material

**BRASS
According to CuZn35Pb2Al-B (CB752S)
Max Lead content: 1.36%**

IB RUBINETTERIE s.p.a
via dei Pianotti 3/5
25068 Sarezzo (BS) - Italy -

T. +39 030 802101
F. +39 030 803097
info@weareib.it

P.IVA 01785230986
capitale sociale
€420.000,00 i.v.

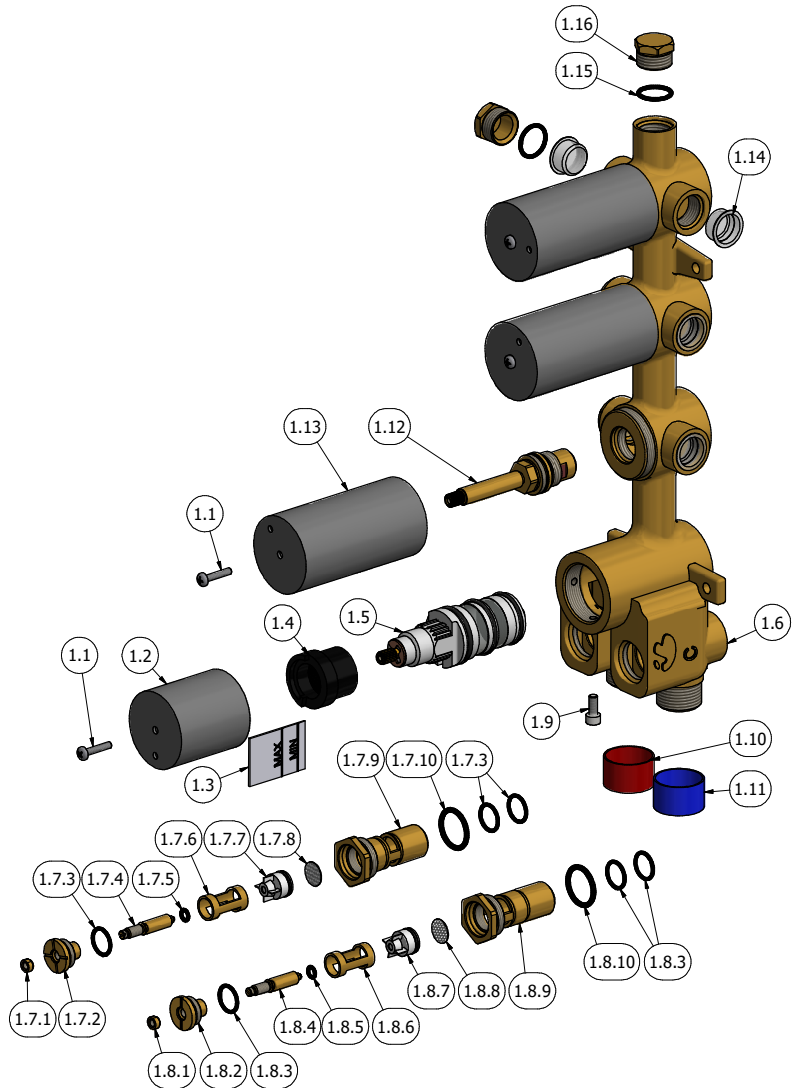
www.weareib.it





WE ARE IB

ELENCO PARTI			
ELEM	CODICE	DESCRIZIONE	QT
1	CPUA300CC-1	Premontato 3 vie	1
1.1	AQ0009148	Vite inox testa croce M4x20 ISO 7045	4
1.2	AQ0013518	Protezione Ø47 H52	1
1.3	AQ0013541	Etichetta MIN MAX	1
1.4	AQ0010474	Fermo regolazione temperatura	1
1.5	AQ0011042	Cartuccia termo CA43 XF-01	1
1.6	CT0002481	Corpo termostatico 3 vie G1/2" G3/4"	1
1.7	CP12312-19	Preontato valvola di non ritorno calda	1
1.7.1	AS0012777	Dado M5 H4 Ø7.5	1
1.7.2	AS0012415	Tappo valvola M17x1 H15.5 a croce	1
1.7.3	AQ0009818	OR 14x1.78 NBR 70 SH	3
1.7.4	AS0012776	Fermo valvola Ø7.5 H39.4 M6 M5	1
1.7.5	AQ0004620	OR 4.47x1.78 NBR 70 SH	1
1.7.6	AS0012578	Fermo valvola Ø14.5 Ø12 H26	1
1.7.7	AQ0015798	Valvola di non ritorno Ø15 OF15 (31.0006.0)	1
1.7.8	AQ0014461	Dischetto Ø15 rete microstirata P.3	1
1.7.9	AS0012312	Corpo valvola non ritorno calda 24x19 H53	1
1.7.1	AQ0008089	OR 20.29x2.62 NBR 70 SH	1
1.8	CP12311-19	Preontato valvola di non ritorno fredda	1
1.8.1	AS0012777	Dado M5 H4 Ø7.5	1
1.8.2	AS0012313	Tappo valvola M17x1 H15.5	1
1.8.3	AQ0009818	OR 14x1.78 NBR 70 SH	3
1.8.4	AS0012776	Fermo valvola Ø7.5 H39.4 M6 M5	1
1.8.5	AQ0004620	OR 4.47x1.78 NBR 70 SH	1
1.8.6	AS0012578	Fermo valvola Ø14.5 Ø12 H26	1
1.8.7	AQ0015798	Valvola di non ritorno Ø15 OF15 (31.0006.0)	1
1.8.8	AQ0014461	Dischetto Ø15 rete microstirata P.3	1
1.8.9	AS0012311	Corpo valvola non ritorno fredda 24x19 H53	1
1.8.1	AQ0008089	OR 20.29x2.62 NBR 70 SH	1
1.9	AQ0010946	Vite M5x12 DIN912	1
1.10	AQ0015510	Tappo G3/4" rosso	1
1.11	AQ0015511	Tappo G3/4" blu	1
1.12	AQ0014336	Vitone ceramico G1/2" alzata 59.3 mm (FCN0648D)	3
1.13	AQ0013517	Protezione Ø47 H92	3
1.14	AQ0013461	Tappo per protezione filetto Ø19 (ST019)	6
1.15	AQ0009841	OR 17x2 NBR 70 SH	1
1.16	AQ0006680	Tappo G1/2" M	1
2	AQ0009841	OR 17x2 NBR 70 SH	3
3	AQ0006680	Tappo G1/2" M	3





WE ARE **IB**

WARRANTY

All IB Rubinetterie SpA products are warranted for 10 years from the date of purchase, for the following cases:

- Defects of casting, porosity and chrome plating.
- Operating defects caused by incorrect fabrication.

The warranty provides for repair or replacement of products with fabrication defects recognized by our technical office. There is no other type of compensation and the merchandise must be returned FOB our warehouse. The warranty only covers surface defects (scratches, dings, etc.) on fittings that have not been installed and used, returned

in its original packaging with all components. O-ring, gasket seals and components subject to wear proportional to use are warranted for 2 years.

The warranty is void in the following cases:

Error installing and putting the product into service.

Deterioration of finished surfaces due to use of cleaning products containing acids or abrasive substances. Deterioration of surface with finishes other than chrome plating. Their durability is, in fact, dependent on the user's

care and gentleness of use.

Deterioration of the fitting due to incorrect installation.

Improper repairs and maintenance performed without the company's prior authorization.

The warranty from IB Rubinetterie SpA is not renewable.

Cleaning

We recommend cleaning the finish surfaces with water and soap, using a soft cloth.

Do not use detergents that contain hydrochloric acid or abrasive substances.