

Collection

**K3**

Article

**K3399**

Description

**Free-standing bath filler mixer**

**Built-in body to be purchased separately INC399**

Box Dimensions

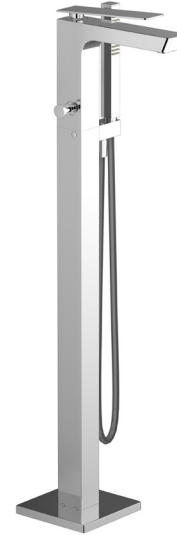
**1160x360x180 mm**

Weight

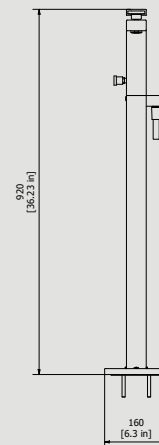
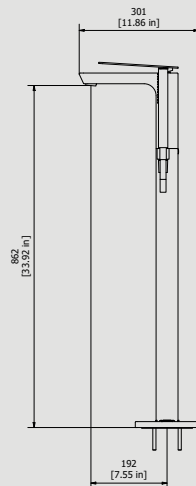
**14 kg**

Finishes

- |                           |                              |                                  |                              |                               |                                     |
|---------------------------|------------------------------|----------------------------------|------------------------------|-------------------------------|-------------------------------------|
| ● <b>CC</b><br>CHROME     | ○ <b>CF</b><br>BLACK CHROME  | ● <b>OO</b><br>GOLD              | ● <b>MB</b><br>MODERN BRONZE | ● <b>SS</b><br>BRUSHED NICKEL | ○ <b>CS</b><br>BRUSHED BLACK CHROME |
| ○ <b>BO</b><br>MATT WHITE | ● <b>NP</b><br>MATT BLACK    | ● <b>IS</b><br>BRUSHED PALE GOLD | ○ <b>OS</b><br>BRUSHED GOLD  | ● <b>II</b><br>PALE GOLD      | ○ <b>RR</b><br>ANTIQUE COPPER       |
| ● <b>RS</b><br>ROSE GOLD  | ○ <b>ON</b><br>NATURAL BRASS | ○ <b>SR</b><br>BRUSHED ROSE GOLD | ○ <b>PL</b><br>PLATINUM      |                               |                                     |



Dimensions



Cartridge

**Ø35 ceramic cartridge**

Hoses

**Flex snapon G1/2" F L150cm Silver**

Aerator

**M28x1**

Flow Rate (+/-10%)

<b>1 BAR</b>	<b>2 BAR</b>	<b>3 BAR</b>
<b>13.6 l/min</b>	<b>19.6 l/min</b>	<b>24 l/min</b>

Production

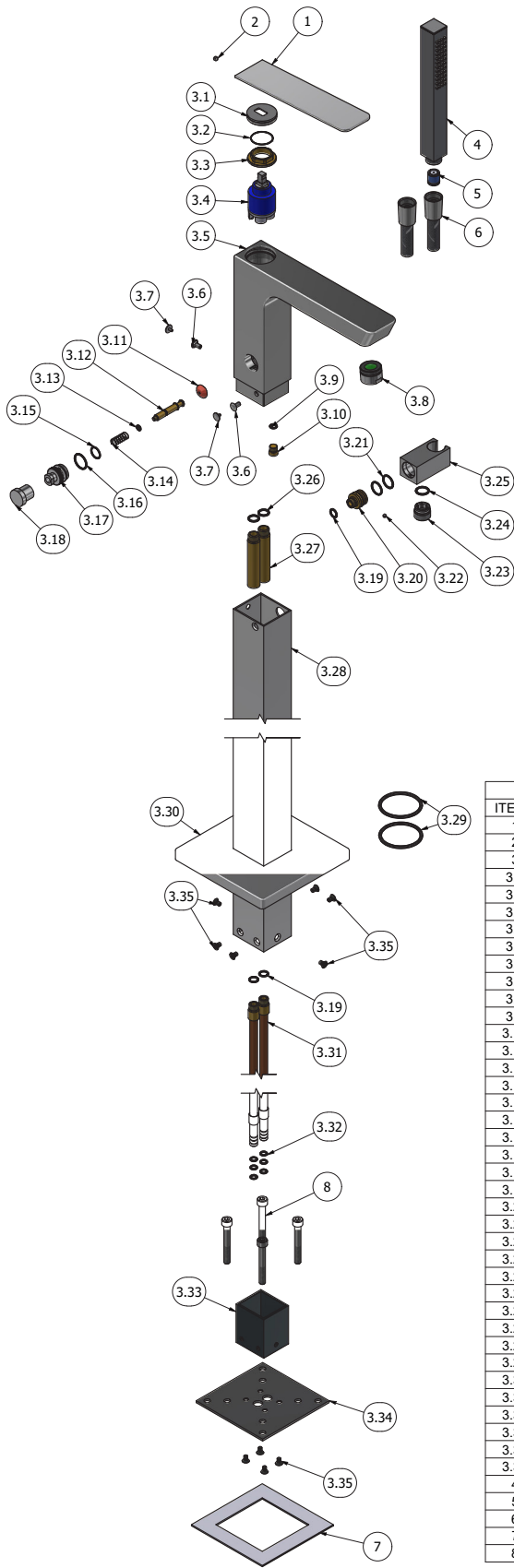
**Main body is a single casted pieces**

Material

**BRASS**  
According to CuZn35Pb2Al-B (CB752S)  
Max Lead content: 1.36%



WE ARE IB



Parts list				
ITEMS	CODE	DESCRIPTION	FIN	QTA
1	AQ0014034-TI	Handle L200 H15.2 3.5°	F	1
2	AQ0009729	Grubscrew M5x5 cone point	-	1
3	CPK3399CC-21	Preassembled bath mixer to floor KH-03	F	1
3.1	AC0011893	Cover Ø38.5 H7.1	F	1
3.2	AQ0013356	OR 27x1 NBR 70 SH	-	1
3.3	AQ0001040	Cartridge ring nut M37x1.5 H9	G	1
3.4	AQ0014037	Ceramic cartridge Ø35 KS 35 B	-	1
3.5	AQ0014053	Body for bath side 50x55x190x250	F	1
3.6	AC0010055	Screw M5x10	F	2
3.7	AC0007108	M3 plug cover for screw	F	2
3.8	AQ0009068	Neostrahl LP flow straightener - TF size (01.455.00001)	F	1
3.9	AQ0001330	OR 6.75x1.78 NBR 70 SH	-	1
3.10	AS0010770	Plug M10x1 H12	G	1
3.11	AQ0000340	Biconic packaging NBR 60SH 18 x 9,6	-	1
3.12	AS0000140	Rod diverter	G	1
3.13	AQ0001410	OR 4.2x1.9 NBR 70 SH	-	1
3.14	AQ0001300	Spring F 0,6 D.E. 9,8 Sp.	-	1
3.15	AQ0001380	OR 14x1.5 NBR 70 SH	-	1
3.16	AQ0004640	OR 18.77x1.78 NBR 70 SH	-	1
3.17	AC0010454	Diverter body	F	1
3.18	AC0010455	Diverter knob Ø23 x 18.5 H.22,6	F	1
3.19	AQ0004180	OR 9.25x1.78 NBR 70 SH	-	3
3.20	AS0011545	Connection piece M12x1 L25	G	1
3.21	AQ0004600	OR 15.6x1.78 NBR 70 SH	-	2
3.22	AQ0001082	Grubscrew M4x4 cone point	-	1
3.23	AC0001250	Shower connection piece 1/2" 19x1	F	1
3.24	AQ0001390	OR 14x2 NBR 70 SH	-	1
3.25	AC0011546	Shower holder 30x30 L60	F	1
3.26	AQ0010152	OR 11x2 NBR 70 SH	-	2
3.27	AS0011760	Extension for flexible hose connection	G	2
3.28	AC0011548	Pipe 50x55x700	F	1
3.29	AQ0012075	OR 49.2x3.53 NBR 70 SH	-	2
3.30	AQ0014732	Carter 160x160x15 55.5x50.5	-	1
3.31	AS0012395	Pipe M12x1 L692	G	2
3.32	AQ0012025	OR 6.35x1.78 NBR 70 SH	-	6
3.33	AS0017311	Box 45x50x60	G	1
3.34	AS0017309	Flange 120x120x3	G	1
3.35	AQ0013722	Inox screw M5x8 countersunk head	-	10
4	AQ0013639	Square hand shower OnAir	F	1
5	AQ0006576	No return valve Ø15 (31.4015.00001)	-	1
6	AQ0018056	Flex snapon G1/2" F L150cm Silver	F	1
7	AQ0015986	Rubber packing double-sided tape 128x128x2	-	1
8	AQ0016200	Inox screw TCEI M8x60 DIN912	-	4



WE ARE IB

### **WARRANTY**

All IB Rubinetterie SpA products are warranted for 10 years from the date of purchase, for the following cases:

- Defects of casting, porosity and chrome plating.
- Operating defects caused by incorrect fabrication.

The warranty provides for repair or replacement of products with fabrication defects recognized by our technical office. There is no other type of compensation anche the merchandise must be returned FOB our warehouse. The warranty only cover surface defects (scartches, dings, etc.) on fitting that have not been installed and used, returned in its original packaging with all components. O-ring, gasket seals and components subject to wear proportional to use are warranted for 2 years.

#### **The warranty is void in the following cases:**

Error installing and putting the product into service.

Deterioration of finished surfaces due to use of cleaning products containing acids or abrasive substances.

Deterioration of surface with finishes other than chrome plating. Their durability is, in fact, dependent on the user's care and gentleness of use.

Deterioration of the fitting due incorrect installation.

Improper repairs and maintenance performed without the company's prior authorization.

The warranty from IB Rubinetterie SpA is not renewable.

#### **Cleaning**

We recommanded cleaning the finish surfaces with water and soap, using a soft cloth.

Do not use detergents that cointain hydrochloric acid or abrasive substances.