



WE ARE IB

Collection

KUSASI

Article

KU202

Description

Tall monohole washbasin mixer complete with drain

Box Dimensions

455x310x75 mm

Weight

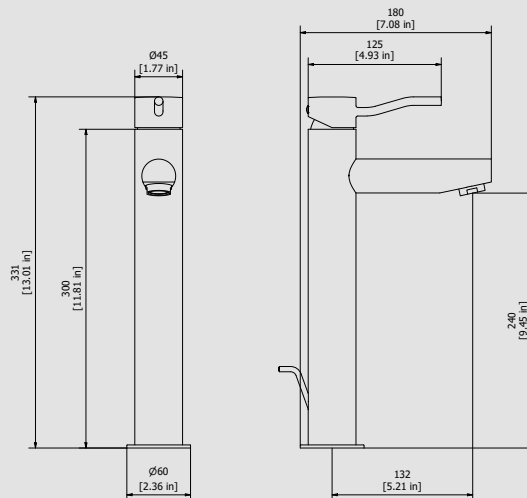
3.5 kg

Finishes

- CC**
CHROME
- PL**
PLATINUM
- SS**
BRUSHED
NICKEL
- ON**
NATURAL
BRASS
- BO**
MATT
WHITE
- NP**
MATT
BLACK
- CF**
BLACK
CHROME
- CS**
BRUSHED
BLACK
CHROME
- II**
PALE
GOLD
- IS**
BRUSHED
PALE GOLD
- RS**
ROSE
GOLD
- SR**
BRUSHED
ROSE GOLD
- OO**
GOLD
- OS**
BRUSHED
GOLD
- RR**
ANTIQUÉ
COPPER
- MB**
MODERN
BRONZE



Dimensions



Cartridge

Ø35 ceramic cartridge

Hoses

G3/8" female

Aerator

M24x1

Flow Rate (+/-10%)

**1 BAR
9 l/m**

**2 BAR
12 l/m**

**3 BAR
15 l/m**

Production

Main body is a machined from a solid pieces

Material

BRASS
According to CuZn42 (CW510L)
Max Lead content: 0.2%

IB RUBINETTERIE s.p.a
via dei Pianotti 3/5
25068 Sarezzo (BS) - Italy -

T. +39 030 802101
F. +39 030 803097
info@weareib.it

P.IVA 01785230986
capitale sociale
€420.000,00 i.v.

www.weareib.it





WE ARE IB



Elenco parti			
ELEM.	CODICE	NUMERO DI MAGAZZINO	QTÀ
1	AQ0009475	Kusasi zamak lever Ø45 L125	1
2	AQ0009541	Plug cover	1
3	AQ0006650	Plug cover Ø7	1
4	CPKKU202 CCX06	Preassembled tall basin mixer	1
4.1	AC0010066	Nut cover M37x1,5 Ø40.3 H13	1
4.2	AQ0001040	Cartridge ring nut M37x1.5 H9	1
4.3	AQ0004075	Ceramic cartridge Ø35 9x9 with distributor	1
4.4	AC0010888	Connection piece Ø33.45 H15	1
4.5	AQ0006585	OR 28.25x2.62 NBR 70 SH	1
4.6	AC0008020	Welded body	1
4.7	AQ0000020	Aerator M24 x 1 perlator honeycomb (40200503301)	1
4.8	AQ0006235	Inox Hoses	2
5	AQ0003060	Rubber packing G3/8" (14.5x9x2)	2
6	AC0009689	Basin base Ø60 M38x1.5 H15.5 M33x1.5	1
7	AC0009680	Threaded stem M33x1.5 H61	1
8	AQ0008013	Rubber packing 45x35x2	1
9	AQ0009184	Support base for sink	1
10	AQ0000881	Inox flange Ø35.5x59	1
11	AC0009901	Nut M33x1.5 H13 nikel	1
12	AQ0009166	Pop-up set	1
13	AQ0000280	PUW - PU Joint	1
14	AQ0003140	Pop-up waste 1"1/4	1



WE ARE IB

WARRANTY

All IB Rubinetterie SpA products are warranted for 10 years from the date of purchase, for the following cases:

- Defects of casting, porosity and chrome plating.
- Operating defects caused by incorrect fabrication.

The warranty provides for repair or replacement of products with fabrication defects recognized by our technical office. There is no other type of compensation anche the merchandise must be returned FOB our warehouse. The warranty only cover surface defects (scartches, dings, etc.) on fitting that have not been installed and used, returned in its original packaging with all components. O-ring, gasket seals and components subject to wear proportional to use are warranted for 2 years.

The warranty is void in the following cases:

Error installing and putting the product into service.

Deterioration of finished surfaces due to use of cleaning products containing acids or abrasive substances.

Deterioration of surface with finishes other than chrome plating. Their durability is, in fact, dependent on the user's care and gentleness of use.

Deterioration of the fitting due incorrect installation.

Improper repairs and maintenance performed without the company's prior authorization.

The warranty from IB Rubinetterie SpA is not renewable.

Cleaning

We recommended cleaning the finish surfaces with water and soap, using a soft cloth.

Do not use detergents that cointain hydrochloric acid or abrasive substances.