



WE ARE IB

Collection

KUSASI

Article

KU706

Description

Exposed parts for bidet spray complete with mixer.

Built-in body to be purchased separately INC206

Box Dimensions

370x270x80 mm

Weight

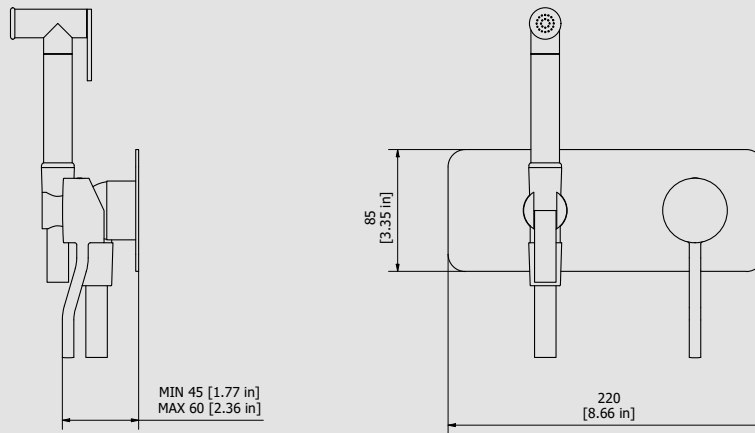
3.1 kg

Finishes

- CC** CHROME
- PL** PLATINUM
- SS** BRUSHED NICKEL
- ON** NATURAL BRASS
- BO** MATT WHITE
- NP** MATT BLACK
- CF** BLACK CHROME
- CS** BRUSHED BLACK CHROME
- II** PALE GOLD
- IS** BRUSHED PALE GOLD
- RS** ROSE GOLD
- SR** BRUSHED ROSE GOLD
- OO** GOLD
- OS** BRUSHED GOLD
- RR** ANTIQUE COPPER
- MB** MODERN BRONZE



Dimensions



Cartridge

Ø35 ceramic cartridge

Threaded fitting

Flex chromalux snapon G1/2" F L1500 Silver

Aerator

Flow Rate (+/-10%)

1 BAR	2 BAR	3 BAR
2.3 l/m	3.2 l/m	4 l/m

Production

Main body is a machined from a solid pieces

Material

BRASS
According to CuZn42 (CW510L)
Max Lead content: 0.2%

IB RUBINETTERIE s.p.a
via dei Pianotti 3/5
25068 Sarezzo (BS) - Italy -

T. +39 030 802101
F. +39 030 803097
info@weareib.it

P.IVA 01785230986
capitale sociale
€420.000,00 i.v.

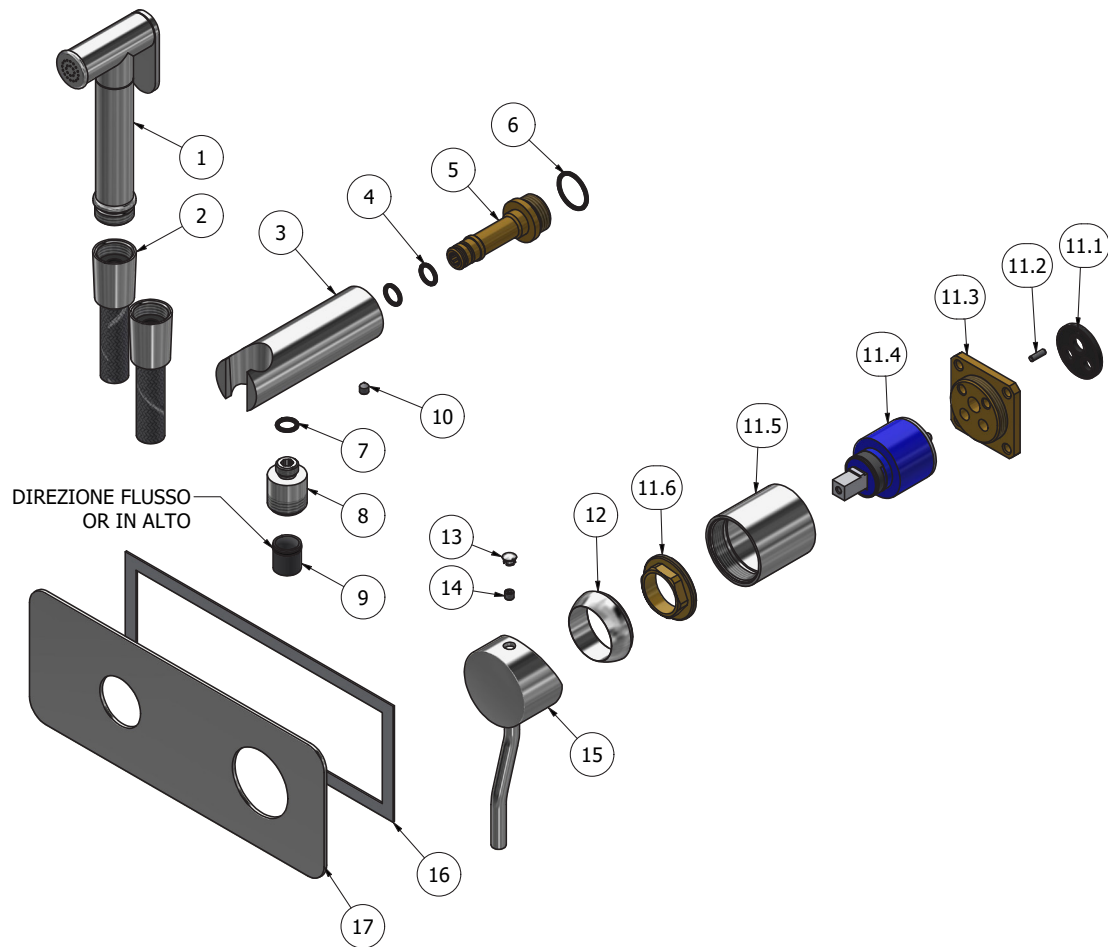
www.weareib.it





WE ARE IB

Parts list				
ITEMS	CODE	DESCRIPTION	FIN	QTÀ
1	AQ0017943	Shut off tonda Ø20	F	1
2	AC0018056	Flex snapon G1/2" F L150cm Silver	F	1
3	AC0013053	Hand shower's support Ø30 L94.8	F	1
4	AQ0004180	OR 9.25x1.78 NBR 70 SH	-	2
5	AS0018164	Bayonet coupling G1/2" M H62.5	G	1
6	AQ0004640	OR 18.77x1.78 NBR 70 SH	-	1
7	AQ0001340	OR 8.73x1.78 NBR 70 SH	-	1
8	AC0013052	Reduction G1/2" M M12x1 M H20.5	F	1
9	AQ0013247	Flow reduction+CV Ø15 4L	-	1
10	AQ0014670	Grubscrew M5x6 cone point	-	1
11	CPIN206CC-19	Mixer 47x47 x recessed	-	1
11.1	AQ0015684	Gasket Ø31 H3.5 Ø7 Ø7.5	-	1
11.2	AQ0015357	Grubscrew M3x10 flat point	-	1
11.3	AS0013040	Insert 47x47 H11 M37x1.5	G	1
11.4	AQ0004095	Ceramic cartridge Ø35 9x9 (K35A)	-	1
11.5	AC0010445	Recessed ring Ø41 M37x1.5 H40.7	F	1
11.6	AQ0001040	Cartridge ring nut M37x1.5 H9	G	1
12	AQ0003630	Cartridge ring nut cover M37x1.5	F	1
13	AQ0006650	Plug cover Ø7	F	1
14	AQ0009541	Grubscrew M5x4 flat point	-	1
15	AQ0009475	Kusasi zamak lever Ø45 L125	F	1
16	AQ0014142	Rubber packing double-sided tape 200x75x8x1	-	1
17	AC0013126	Plate 220x85x2	F	1





WE ARE IB

WARRANTY

All IB Rubinetterie SpA products are warranted for 10 years from the date of purchase, for the following cases:

- Defects of casting, porosity and chrome plating.
- Operating defects caused by incorrect fabrication.

The warranty provides for repair or replacement of products with fabrication defects recognized by our technical office. There is no other type of compensation anche the merchandise must be returned FOB our warehouse. The warranty only cover surface defects (scartches, dings, etc.) on fitting that have not been installed and used, returned in its original packaging with all components. O-ring, gasket seals and components subject to wear proportional to use are warranted for 2 years.

The warranty is void in the following cases:

Error installing and putting the product into service.

Deterioration of finisched surfaces due to use of cleaning products containing acids or abrasive substances.

Deterioration of surface with finishes other than chrome plating. Their durability is, in fact, dependent on the user's care and gentleness of use.

Deterioration of the fitting due incorrect installation.

Improper repairs and maintenance performed without the company's prior authorization.

The warranty from IB Rubinetterie SpA is not renewable.

Cleaning

We recommended cleaning the finish surfaces with water and soap, using a soft cloth.

Do not use detergents that cointain hydrochloric acid or abrasive substances.