



WE ARE IB

Collection

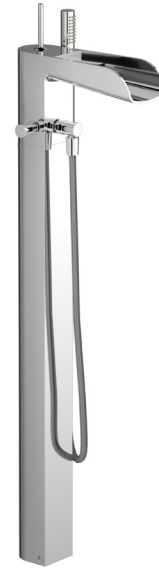
LOVEME

Article

LM399

Description

Free-standing bath filler.



Box Dimensions

1100x400x170 mm

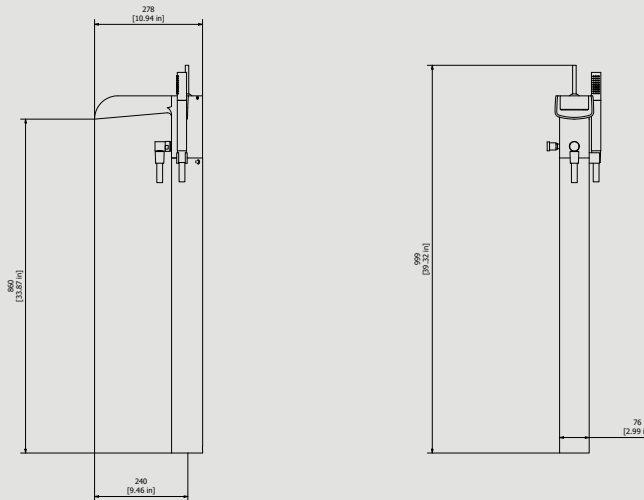
Weight

15.2 kg

Finishes

- CC**
CHROME
- CF**
BLACK CHROME
- OO**
GOLD
- BB**
ANTIQUÉ BRONZE
- SS**
BRUSHED NICKEL
- CS**
BRUSHED BLACK CHROME
- BO**
MATT WHITE
- ONP**
MATT BLACK
- IS**
BRUSHED PALE GOLD
- OS**
BRUSHED GOLD
- II**
PALE GOLD
- RR**
ANTIQUÉ COPPER
- ORS**
ROSE GOLD
- ON**
NATURAL BRASS
- SR**
BRUSHED ROSE GOLD
- PL**
PLATINUM

Dimensions



Cartridge

Ø35 ceramic cartridge

Hoses

Inox hoses G1/2" female 800 mms long

Aerator

Flow Rate (+/-10%)

1 BAR	2 BAR	3 BAR
17 l/min	22 l/min	28 l/min

Production

Main body is a single casted pieces

Material

BRASS
According to CuZn35Pb2AL-B (CB752S)
Max Lead content: 1.36%

IB RUBINETTERIE s.p.a
via dei Pianotti 3/5
25068 Sarezzo (BS) - Italy -

T. +39 030 802101
F. +39 030 803097
info@weareib.it

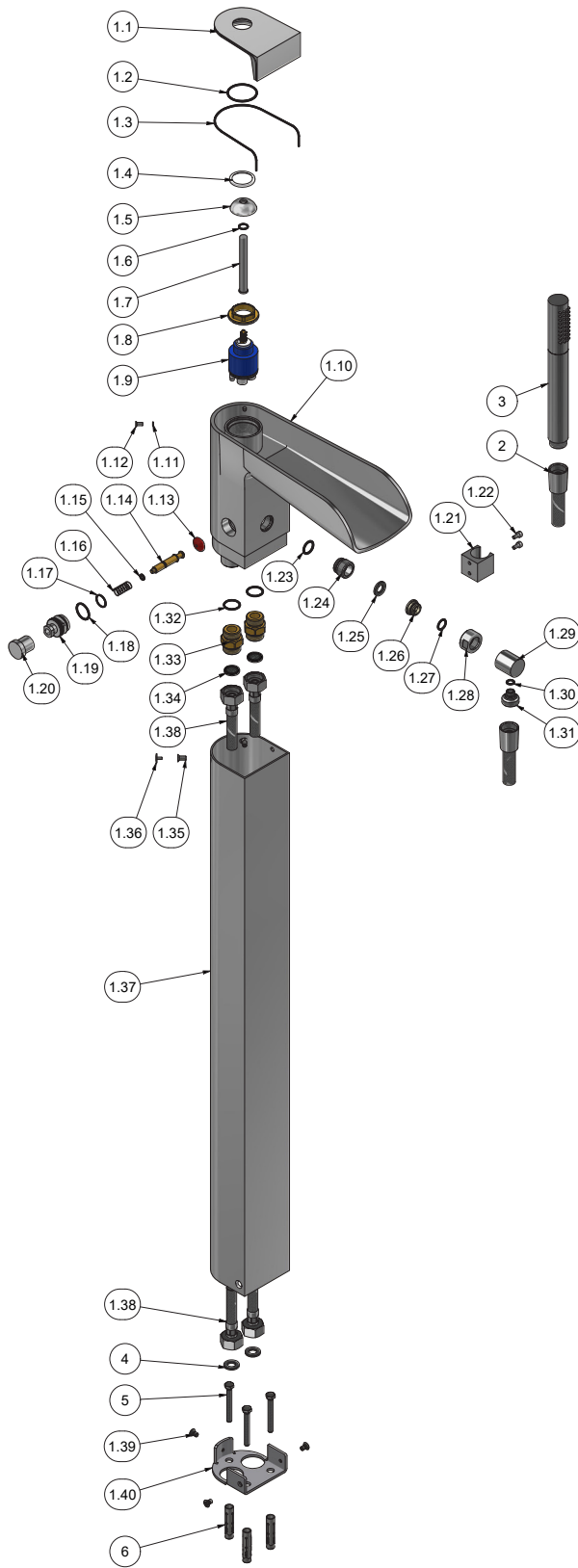
P.IVA 01785230986
capitale sociale
€420.000,00 i.v.

www.weareib.it





WE ARE IB



Parts list			
ITEMS	CODE	DESCRIPTION	FIN QTA
1	CPKLM399CCX01	Preassembled free-standing bath filler mixer	F 1
1.1	CC0002125-TI	Cartridge cover flange	F 1
1.2	AQ0008026	OR 33.05x1.78 NBR 70 SH	- 1
1.3	AQ0010611	Rope Ø2 L264	- 1
1.4	AQ0010014	Antifriction ring for sphere H.2,5	G 1
1.5	AC0009974	Cover cartridge sphere	F 1
1.6	AQ0010077	OR 9x1.5 NBR 70 SH	- 1
1.7	AC0010230	Rod for lever	F 1
1.8	AQ0001040	Cartridge ring nut M37x1.5 H9	G 1
1.9	AQ0010039	Ceramic cartridge joystick Ø35 with distribution	- 1
1.10	CC0001690	Floor barh sanding mixer body	F 1
1.11	AQ0010276	OR 3x1 NBR 70 SH	- 2
1.12	AQ0010280	Inox screw M4X8,5	- 2
1.13	AQ0000340	Biconic packaging NBR 60SH 18 x 9,6	- 1
1.14	AS0000140	Rod diverter	G 1
1.15	AQ0001410	OR 4.2x1.9 NBR 70 SH	- 1
1.16	AQ0001300	Spring F 0,6 D.E. 9,8 Sp.	- 1
1.17	AQ0001380	OR 14x1.5 NBR 70 SH	- 1
1.18	AQ0004640	OR 18.77x1.78 NBR 70 SH	- 1
1.19	AC0010454	Diverter body	F 1
1.20	AC0010179	Knob for diverter Ø23 x 18,5 H.22,6	F 1
1.21	AC0010030	Shower support	F 1
1.22	AQ0010548	St.steel screw M4x8 TCE	- 2
1.23	AQ0001390	OR 14x2 NBR 70 SH	- 1
1.24	AC0001250	Shower connection piece 1/2" 19x1	F 1
1.25	AQ0003080	Rubber G1/2"	- 1
1.26	AN0009332	Insert M15x1 H10	N 1
1.27	AQ0001350	OR 11.11x1.78 NBR 70 SH	- 1
1.28	AC0010193	Nut for shower's seat	F 1
1.29	AC0012349	L elbow Ø24 M15x1 M10x1 L26	F 1
1.30	AQ0001330	OR 6.75x1.78 NBR 70 SH	- 1
1.31	AC0012348	Connection M10x1 G1/2" L17	F 1
1.32	AQ0004630	OR 17.16x1.78 NBR 70 SH	- 2
1.33	AS0010301	Reduction G1/2" M G1/2" M with valve seat	G 2
1.34	AQ0010360	Rubber packing 1/2" H2 with filter	- 2
1.35	AS0010055	Inox screw M5x10	- 2
1.36	AC0007108	M3 plug cover for screw	F 2
1.37	AC0010295	Extension pipe H760	F 1
1.38	AQ0010325	FLex G1/2" FF L800	- 2
1.39	AQ0013722	Inox screw M5x8 countersunk head	- 3
1.40	AQ0010315	Plate for floor fixing	- 1
2	AQ0018056	Flex snapon G1/2" F L150cm Silver	F 1
3	AQ0013557	Onair hand shower	F 1
4	AQ0003080	Rubber G1/2"	- 2
5	AQ0015835	Inox screw M6x50 DIN933	G 3
6	AQ0010075	Inox rawlplug M6 Ø10 L45	G 3





WE ARE IB

WARRANTY

All IB Rubinetterie SpA products are warranted for 10 years from the date of purchase, for the following cases:

- Defects of casting, porosity and chrome plating.
- Operating defects caused by incorrect fabrication.

The warranty provides for repair or replacement of products with fabrication defects recognized by our technical office. There is no other type of compensation anche the merchandise must be returned FOB our warehouse. The warranty only cover surface defects (scartches, dings, etc.) on fitting that have not been installed and used, returned in its original packaging with all components. O-ring, gasket seals and components subject to wear proportional to use are warranted for 2 years.

The warranty is void in the following cases:

Error installing and putting the product into service.

Deterioration of finished surfaces due to use of cleaning products containing acids or abrasive substances.

Deterioration of surface with finishes other than chrome plating. Their durability is, in fact, dependent on the user's care and gentleness of use.

Deterioration of the fitting due incorrect installation.

Improper repairs and maintenance performed without the company's prior authorization.

The warranty from IB Rubinetterie SpA is not renewable.

Cleaning

We recommanded cleaning the finish surfaces with water and soap, using a soft cloth.

Do not use detergents that cointain hydrochloric acid or abrasive substances.