



WE ARE IB

Collection

MONAMOUR

Article

MA020

Description

Round showerhead Ø200 mm

Box Dimensions

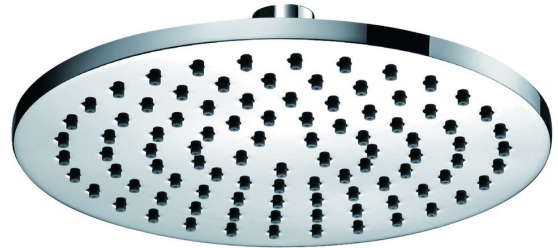
210x210x70 mm

Weight

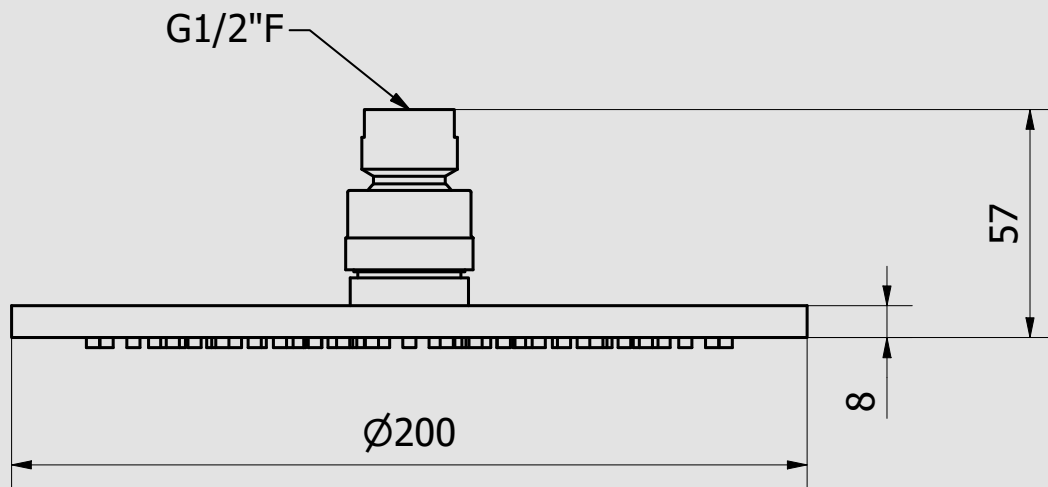
0.5 kg

Finishes

- **CC**
CHROME
- **PL**
PLATINUM
- **SS**
BRUSHED
NICKEL
- **ON**
NATURAL
BRASS
- **BO**
MATT
WHITE
- **NP**
MATT
BLACK
- **CF**
BLACK
CHROME
- **CS**
BRUSHED
BLACK
CHROME
- **II**
PALE
GOLD
- **IS**
BRUSHED
PALE GOLD
- **RS**
ROSE
GOLD
- **SR**
BRUSHED
ROSE GOLD
- **OO**
GOLD
- **OS**
BRUSHED
GOLD
- **RR**
ANTIQUÉ
COPPER
- **BB**
ANTIQUÉ
BRONZE
- **MB**
MODERN
BRONZE



Dimensions



Cartridge

-

Threaded fitting

G1/2" Female

Aerator

-

Flow Rate (+/-10%)

| 1 BAR | 2 BAR | 3 BAR |
|---------|----------|----------|
| 7.7 l/m | 11.4 l/m | 14.4 l/m |

Production

Main body is a single hot stamped pieces.

Material

BRASS
According to CuZn39Pb3 (CW614N)
Max lead content: 2.5%

IB RUBINETTERIE s.p.a
via dei Pianotti 3/5
25068 Sarezzo (BS) - Italy -

T. +39 030 802101
F. +39 030 803097
info@weareib.it

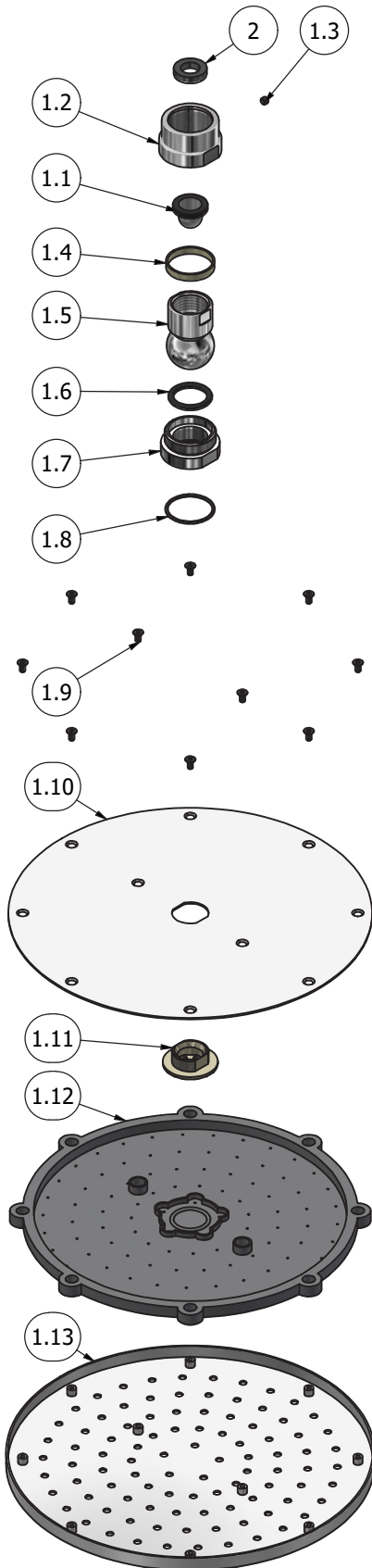
P.IVA 01785230986
capitale sociale
€420.000,00 i.v.

www.weareib.it





WE ARE IB



| Parts list | | | | |
|------------|--------------|------------------------------|-----|-----|
| ITEMS | CODE | DESCRIPTION | FIN | QTA |
| 1 | AQ0013719 | Shower head Ø200 | F | 1 |
| 1.1 | AQ0013719_1 | Gasket Ø19 th.3 with filter | - | 1 |
| 1.2 | AQ0013719_2 | Ring nut Ø34 H20 | - | 1 |
| 1.3 | AQ0013719_3 | Grub screw inox M4x3 p.p. | - | 1 |
| 1.4 | AQ0013719_4 | Ring | - | 1 |
| 1.5 | AQ0013719_5 | Sphere Ø26 G "1 / 2F | F | 1 |
| 1.6 | AQ0013719_6 | OR 18x3 NBR 70 SH | - | 1 |
| 1.7 | AQ0013719_7 | Threaded insert Ø32 H15 | F | 1 |
| 1.8 | AQ0013719_8 | OR 24x1.5 NBR 70 SH | - | 1 |
| 1.9 | AQ0013719_9 | Screw inox M3x6 TSP UNI 7991 | - | 10 |
| 1.10 | AQ0013719_10 | Plate Ø197.5 th.1 | F | 1 |
| 1.11 | AQ0013719_11 | Injector insert Ø30 | N | 1 |
| 1.12 | AQ0013719_12 | Diffuser | - | 1 |
| 1.13 | AQ0013719_13 | Diffuser flange Ø200 | F | 1 |
| 2 | AQ0014583 | Rubber packing G1/2" H4 | - | 1 |



WE ARE IB

WARRANTY

All IB Rubinetterie SpA products are warranted for 10 years from the date of purchase, for the following cases:

- Defects of casting, porosity and chrome plating.
- Operating defects caused by incorrect fabrication.

The warranty provides for repair or replacement of products with fabrication defects recognized by our technical office. There is no other type of compensation anche the merchandise must be returned FOB our warehouse. The warranty only cover surface defects (scartches, dings, etc.) on fitting that have not been installed and used, returned in its original packaging with all components. O-ring, gasket seals and components subject to wear proportional to use are warranted for 2 years.

The warranty is void in the following cases:

Error installing and putting the product into service.

Deterioration of finished surfaces due to use of cleaning products containing acids or abrasive substances.

Deterioration of surface with finishes other than chrome plating. Their durability is, in fact, dependent on the user's care and gentleness of use.

Deterioration of the fitting due incorrect installation.

Improper repairs and maintenance performed without the company's prior authorization.

The warranty from IB Rubinetterie SpA is not renewable.

Cleaning

We recommended cleaning the finish surfaces with water and soap, using a soft cloth.

Do not use detergents that cointain hydrochloric acid or abrasive substances.