



WE ARE IB

Collection

MONAMOUR

Article

MA025

Description

Round showerhead Ø250 mm

Box Dimensions

265x260x70 mm

Weight

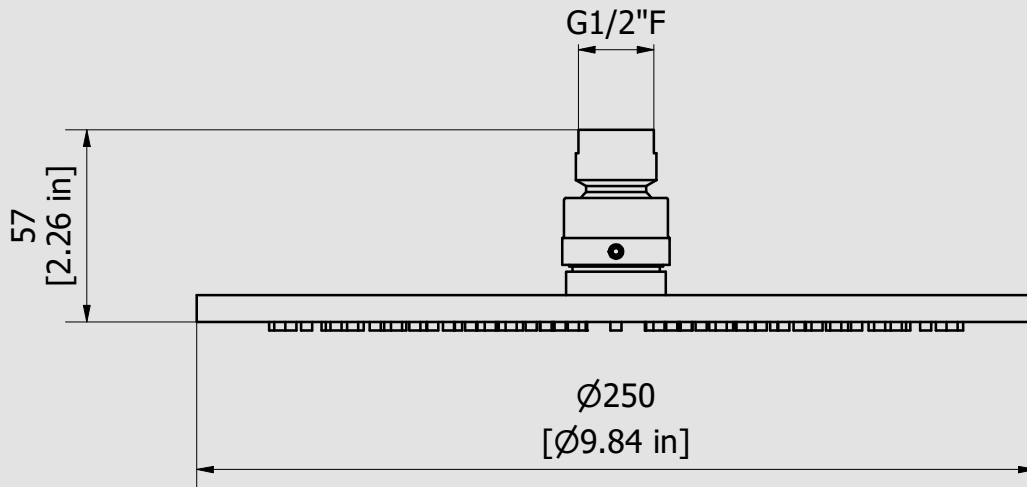
1.4 kg



Finishes

- **CC**
CHROME
- **PL**
PLATINUM
- **SS**
BRUSHED
NICKEL
- **ON**
NATURAL
BRASS
- **BO**
MATT
WHITE
- **NP**
MATT
BLACK
- **CF**
BLACK
CHROME
- **CS**
BRUSHED
BLACK
CHROME
- **II**
PALE
GOLD
- **IS**
BRUSHED
PALE GOLD
- **RS**
ROSE
GOLD
- **SR**
BRUSHED
ROSE GOLD
- **OO**
GOLD
- **OS**
BRUSHED
GOLD
- **RR**
ANTIQUÉ
COPPER
- **BB**
ANTIQUÉ
BRONZE
- **MB**
MODERN
BRONZE

Dimensions



Cartridge

-

Threaded fitting

G1/2" F

Aerator

-

Flow Rate (+/-10%)

1 BAR	2 BAR	3 BAR
7.5 l/m	11.2 l/m	14 l/m

Production

Main body is a single hot stamped pieces.

Material

BRASS
According to CuZn39Pb3 (CW614N)
Max lead content: 2.5%

IB RUBINETTERIE s.p.a
via dei Pianotti 3/5
25068 Sarezzo (BS) - Italy -

T. +39 030 802101
F. +39 030 803097
info@weareib.it

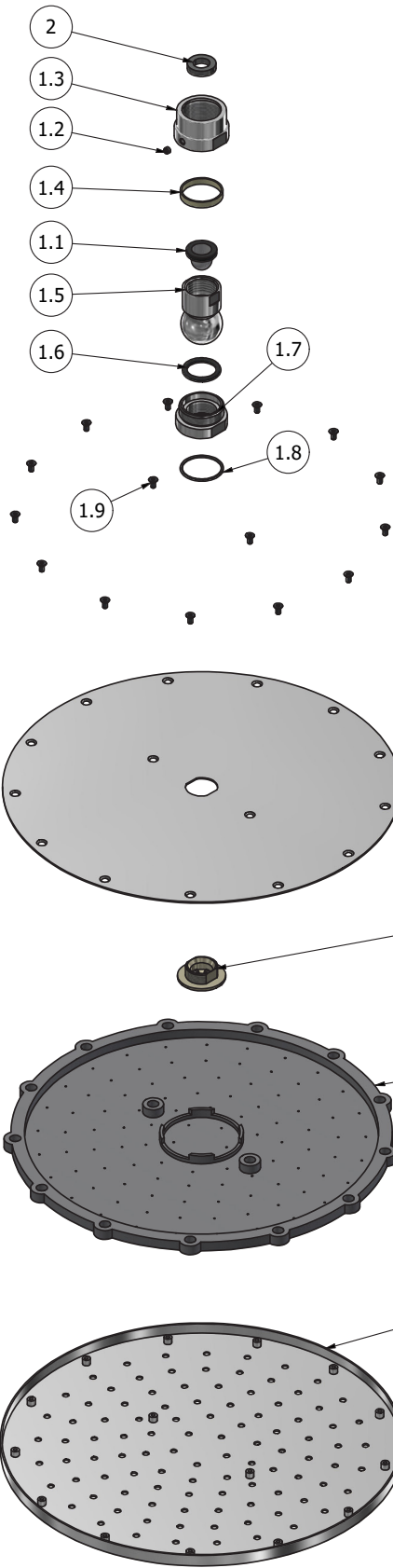
P.IVA 01785230986
capitale sociale
€420.000,00 i.v.

www.weareib.it





WE ARE IB



Parts list			
ELEM.	CODE	DESCRIPTION	QTA
1	AQ0010701	Shower head Ø250	1
1.1	AQ0010701_1	Gasket Ø19 th.3 with filter	1
1.2	AQ0010701_3	Grub screw inox M4x3 p.p.	1
1.3	AQ0010701_2	Ring nut Ø34 H20	1
1.4	AQ0010701_4	Ring	1
1.5	AQ0010701_5	Sphere Ø26 G "1 / 2F	1
1.6	AQ0010701_6	OR 18x3 NBR 70 SH	1
1.7	AQ0010701_7	Threaded insert Ø32 H15	1
1.8	AQ0010701_8	OR 24x1.5 NBR 70 SH	1
1.9	AQ0010701_9	Screw inox M3x6 TSP UNI 7991	15
1.10	AQ0010701_10	Plate Ø247.5 th.1	1
1.11	AQ0010701_11	Injector insert Ø30	1
1.12	AQ0010701_12	Diffuser	1
1.13	AQ0010701_13	Diffuser flange Ø250	1
2	AQ0014583	Rubber packing G1/2" H4	1



WE ARE IB

WARRANTY

All IB Rubinetterie SpA products are warranted for 10 years from the date of purchase, for the following cases:

- Defects of casting, porosity and chrome plating.
- Operating defects caused by incorrect fabrication.

The warranty provides for repair or replacement of products with fabrication defects recognized by our technical office. There is no other type of compensation anche the merchandise must be returned FOB our warehouse. The warranty only cover surface defects (scartches, dings, etc.) on fitting that have not been installed and used, returned in its original packaging with all components. O-ring, gasket seals and components subject to wear proportional to use are warranted for 2 years.

The warranty is void in the following cases:

Error installing and putting the product into service.

Deterioration of finished surfaces due to use of cleaning products containing acids or abrasive substances.

Deterioration of surface with finishes other than chrome plating. Their durability is, in fact, dependent on the user's care and gentleness of use.

Deterioration of the fitting due incorrect installation.

Improper repairs and maintenance performed without the company's prior authorization.

The warranty from IB Rubinetterie SpA is not renewable.

Cleaning

We recommended cleaning the finish surfaces with water and soap, using a soft cloth.

Do not use detergents that cointain hydrochloric acid or abrasive substances.