



WE ARE IB

Collection

SOHO

Article

OH202

Description

Tall monohole washbasin mixer.

Box Dimensions

425x188x98 mm

Weight

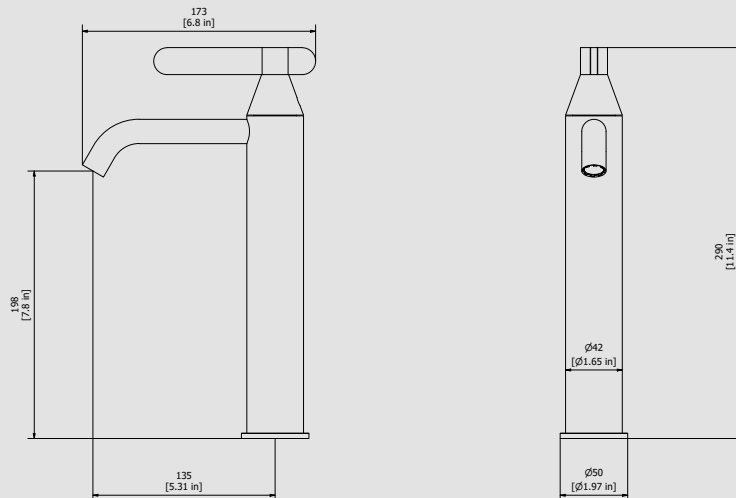
2.3 kg

Finishes

- **CC**
CHROME
- **PL**
PLATINUM
- **SS**
BRUSHED
NICKEL
- **ON**
NATURAL
BRASS
- **BO**
MATT
WHITE
- **NP**
MATT
BLACK
- **CF**
BLACK
CHROME
- **CS**
BRUSHED
BLACK
CHROME
- **II**
PALE
GOLD
- **IS**
BRUSHED
PALE GOLD
- **RS**
ROSE
GOLD
- **SR**
BRUSHED
ROSE GOLD
- **OO**
GOLD
- **OS**
BRUSHED
GOLD
- **RR**
ANTIQUÉ
COPPER
- **MB**
MODERN
BRONZE



Dimensions



Cartridge

Ø25 ceramic cartridge

Threaded fitting

Inox hoses G3\8" female 400 mms long

Aerator

M16.5X1

Flow Rate (+/-10%)

**1 BAR
3 l\m**

**2 BAR
3.8 l\m**

**3 BAR
3.8 l\m**

Production

Main body is a machined from a solid pieces

Material

**BRASS
According to CuZn42 (CW510L)
Max Lead content: 0.2%**

IB RUBINETTERIE s.p.a
via dei Pianotti 3/5
25068 Sarezzo (BS) - Italy -

T. +39 030 802101
F. +39 030 803097
info@weareib.it

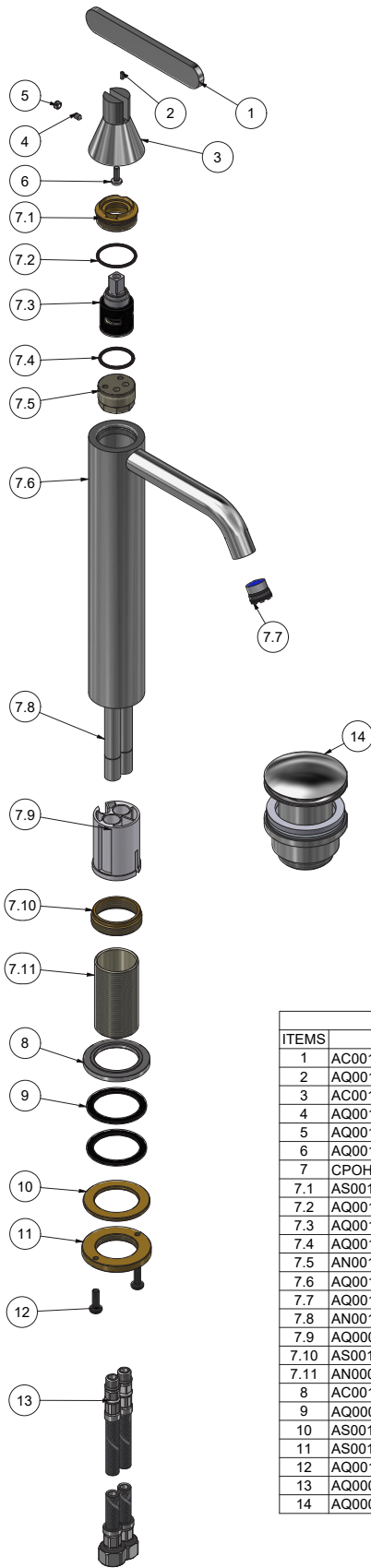
P.IVA 01785230986
capitale sociale
€420.000,00 i.v.

www.weareib.it





WE ARE IB



| Parts list | | | | |
|------------|--------------|--|-----|-----|
| ITEMS | CODE | DESCRIPTION | FIN | QTA |
| 1 | AC0018163 | Handle 20 L120 H5 | F | 1 |
| 2 | AQ0012230 | Stainless stell pin Ø2.5x6 | - | 1 |
| 3 | AC0018159 | Handle Ø42 Ø20 H50 | F | 1 |
| 4 | AQ0010444 | Grubscrew M4x6 cone point | - | 1 |
| 5 | AQ0012203 | Plug | F | 1 |
| 6 | AQ0010985 | Inox screw M4x12 | - | 1 |
| 7 | CPOH202CCN-1 | Preamsembled tall basin mixer | - | 1 |
| 7.1 | AS0011353 | Cartridge fixing nut M30x1 H14.35 | G | 1 |
| 7.2 | AQ0010564 | OR 26.7x1.78 NBR 70 SH | - | 1 |
| 7.3 | AQ0018232 | Progressive cartridge Ø25 open 9x9 90° | - | 1 |
| 7.4 | AQ0010972 | OR 23x2 NBR 70 SH | - | 1 |
| 7.5 | AN0010810 | Connection piece Ø27X18 | N | 1 |
| 7.6 | AQ0016775 | Tall body Ø42 H235 L135 | F | 1 |
| 7.7 | AQ0014147 | Perlator PCA cachè laminar 1 GPM (44.3358.010) | - | 1 |
| 7.8 | AN0010899 | Extension pipe M8x1 M10x1 H230 | N | 2 |
| 7.9 | AQ0009711 | Separator for pipes | - | 1 |
| 7.10 | AS0010786 | Reduction nut M38x1.5 M33x1.5 H11 | G | 1 |
| 7.11 | AN0009680 | Threaded stem M33x1.5 H61 | N | 1 |
| 8 | AC0010787 | Base Ø5 H5 | F | 1 |
| 9 | AQ0008013 | Rubber packing 45x35x2 | - | 2 |
| 10 | AS0010659 | Brass ring Ø50x35.5x3 | G | 1 |
| 11 | AS0010658 | Ring nut with screwed holes Ø52 M33x1.5 H6 | G | 1 |
| 12 | AQ0010358 | Inox screw M5x16 ISO 7045 | - | 2 |
| 13 | AQ0000932 | Inox hose M10x1 G3/8" F L400 | - | 2 |
| 14 | AQ0009837 | Simple rapid waste 1"1/4 | F | 1 |



WE ARE IB

WARRANTY

All IB Rubinetterie SpA products are warranted for 10 years from the date of purchase, for the following cases:

- Defects of casting, porosity and chrome plating.
- Operating defects caused by incorrect fabrication.

The warranty provides for repair or replacement of products with fabrication defects recognized by our technical office. There is no other type of compensation anche the merchandise must be returned FOB our warehouse. The warranty only cover surface defects (scartches, dings, etc.) on fitting that have not been installed and used, returned in its original packaging with all components. O-ring, gasket seals and components subject to wear proportional to use are warranted for 2 years.

The warranty is void in the following cases:

Error installing and putting the product into service.

Deterioration of finished surfaces due to use of cleaning products containing acids or abrasive substances.

Deterioration of surface with finishes other than chrome plating. Their durability is, in fact, dependent on the user's care and gentleness of use.

Deterioration of the fitting due incorrect installation.

Improper repairs and maintenance performed without the company's prior authorization.

The warranty from IB Rubinetterie SpA is not renewable.

Cleaning

We recommended cleaning the finish surfaces with water and soap, using a soft cloth.

Do not use detergents that cointain hydrochloric acid or abrasive substances.