



WE ARE IB

Collection

PURO

Article

PU102

Description

Soap dispenser holder.

Box Dimensions

385x166x80 mm

Weight

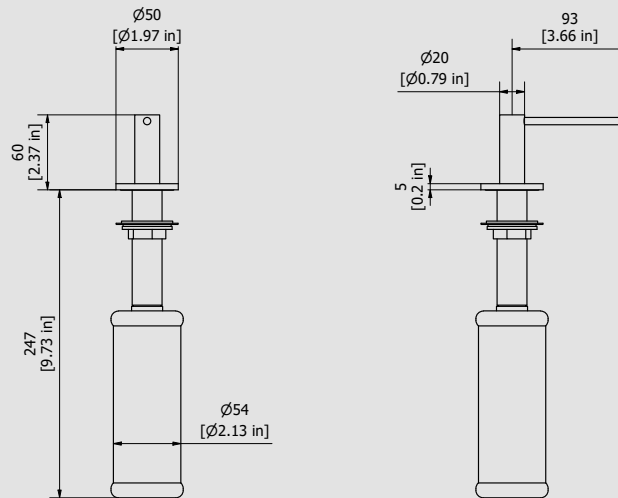
0.8 kg

Finishes

- **CC** CHROME
- **PL** PLATINUM
- **SS** BRUSHED NICKEL
- **ON** NATURAL BRASS
- **BO** MATT WHITE
- **NP** MATT BLACK
- **CF** BLACK CHROME
- **CS** BRUSHED BLACK CHROME
- **II** PALE GOLD
- **IS** BRUSHED PALE GOLD
- **RS** ROSE GOLD
- **SR** BRUSHED ROSE GOLD
- **OO** GOLD
- **OS** BRUSHED GOLD
- **RR** ANTIQUE COPPER
- **BB** ANTIQUE BRONZE
- **MB** MODERN BRONZE



Dimensions



Cartridge

Threaded fitting

-

Aerator

Flow Rate (+/-10%)

1 BAR
- l/m

2 BAR
- l/m

3 BAR
- l/m

Production

Material

-

-

IB RUBINETTERIE s.p.a
via dei Pianotti 3/5
25068 Sarezzo (BS) - Italy -

T. +39 030 802101
F. +39 030 803097
info@weareib.it

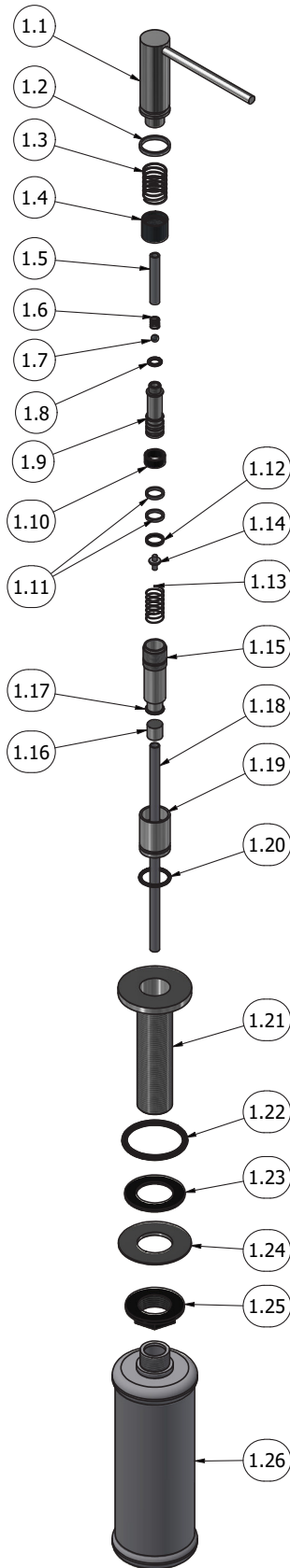
P.IVA 01785230986
capitale sociale
€420.000,00 i.v.

www.weareib.it





WE ARE IB



Parts list				
ITEMS	CODE	DESCRIPTION	FIN	QTÀ
1	AQ0017758	Dispenser	F	1
1.1	AQ0017758_1	Dispensing head	F	1
1.2	AQ0017758_2	Teflon ring Ø21	-	1
1.3	AQ0017758_3	Spring L2005Z	-	1
1.4	AQ0017758_4	Nut	-	1
1.5	AQ0017758_5	PO Tube	-	1
1.6	AQ0017758_6	Spring L2005S	-	1
1.7	AQ0017758_7	Matal ball Ø5	-	1
1.8	AQ0017758_8	OR 6.35x1.78 NBR 70 SH	-	1
1.9	AQ0017758_9	Core	-	1
1.10	AQ0017758_10	Cover for core	-	1
1.11	AQ0017758_11	Gasket	-	2
1.12	AQ0017758_12	Plastic ring	-	1
1.13	AQ0017758_13	Spring L2005X	-	1
1.14	AQ0017758_14	Plastic insert	-	1
1.15	AQ0017758_15	Long tube	-	1
1.16	AQ0017758_16	Insert	-	1
1.17	AQ0017758_17	OR 9.25x1.78 NBR 70 SH	-	1
1.18	AQ0017758_18	Tube Ø6 H170	-	1
1.19	AQ0017758_19	Tube M16x1 H29	-	1
1.20	AQ0017758_20	OR 18x2 NBR 70 SH	-	1
1.21	AQ0017758_21	Cover assembly	F	1
1.22	AQ0017758_22	OR 37.7x3.53 NBR 70 SH	-	1
1.23	AQ0017758_23	Gasket	-	1
1.24	AQ0017758_24	Ring	-	1
1.25	AQ0017758_25	Nut	-	1
1.26	AQ0017758_26	Plastic bottle	-	1



WE ARE IB

WARRANTY

All IB Rubinetterie SpA products are warranted for 10 years from the date of purchase, for the following cases:

- Defects of casting, porosity and chrome plating.
- Operating defects caused by incorrect fabrication.

The warranty provides for repair or replacement of products with fabrication defects recognized by our technical office. There is no other type of compensation anche the merchandise must be returned FOB our warehouse. The warranty only cover surface defects (scartches, dings, etc.) on fitting that have not been installed and used, returned in its original packaging with all components. O-ring, gasket seals and components subject to wear proportional to use are warranted for 2 years.

The warranty is void in the following cases:

Error installing and putting the product into service.

Deterioration of finished surfaces due to use of cleaning products containing acids or abrasive substances.

Deterioration of surface with finishes other than chrome plating. Their durability is, in fact, dependent on the user's care and gentleness of use.

Deterioration of the fitting due incorrect installation.

Improper repairs and maintenance performed without the company's prior authorization.

The warranty from IB Rubinetterie SpA is not renewable.

Cleaning

We recommended cleaning the finish surfaces with water and soap, using a soft cloth.

Do not use detergents that cointain hydrochloric acid or abrasive substances.