

Collection

REFLEX

Article

RX317

Description

Bidet wall mounted spout

Box Dimensions

220x120x40 mm

Weight

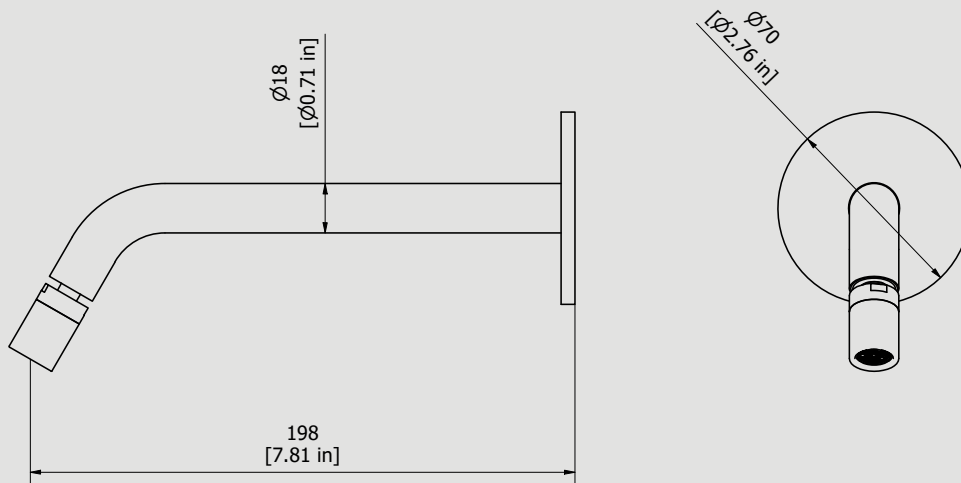
0.3 kg

Finishes

- **CC**
CHROME
- **CF**
BLACK CHROME
- **OO**
GOLD
- **MB**
MODERN BRONZE
- **SS**
BRUSHED NICKEL
- **CS**
BRUSHED BLACK CHROME
- **BO**
MATT WHITE
- **NP**
MATT BLACK
- **IS**
BRUSHED PALE GOLD
- **OS**
BRUSHED GOLD
- **II**
PALE GOLD
- **RR**
ANTIQUÉ COPPER
- **RS**
ROSE GOLD
- **ON**
NATURAL BRASS
- **SR**
BRUSHED ROSE GOLD
- **PL**
PLATINUM



Dimensions



Cartridge

Threaded fitting

G1/2" male

Aerator

M16.5x1

Flow Rate (+/-10%)

**1 BAR
6.9 l/min**

**2 BAR
9.8 l/min**

**3 BAR
12.1 l/min**

Production

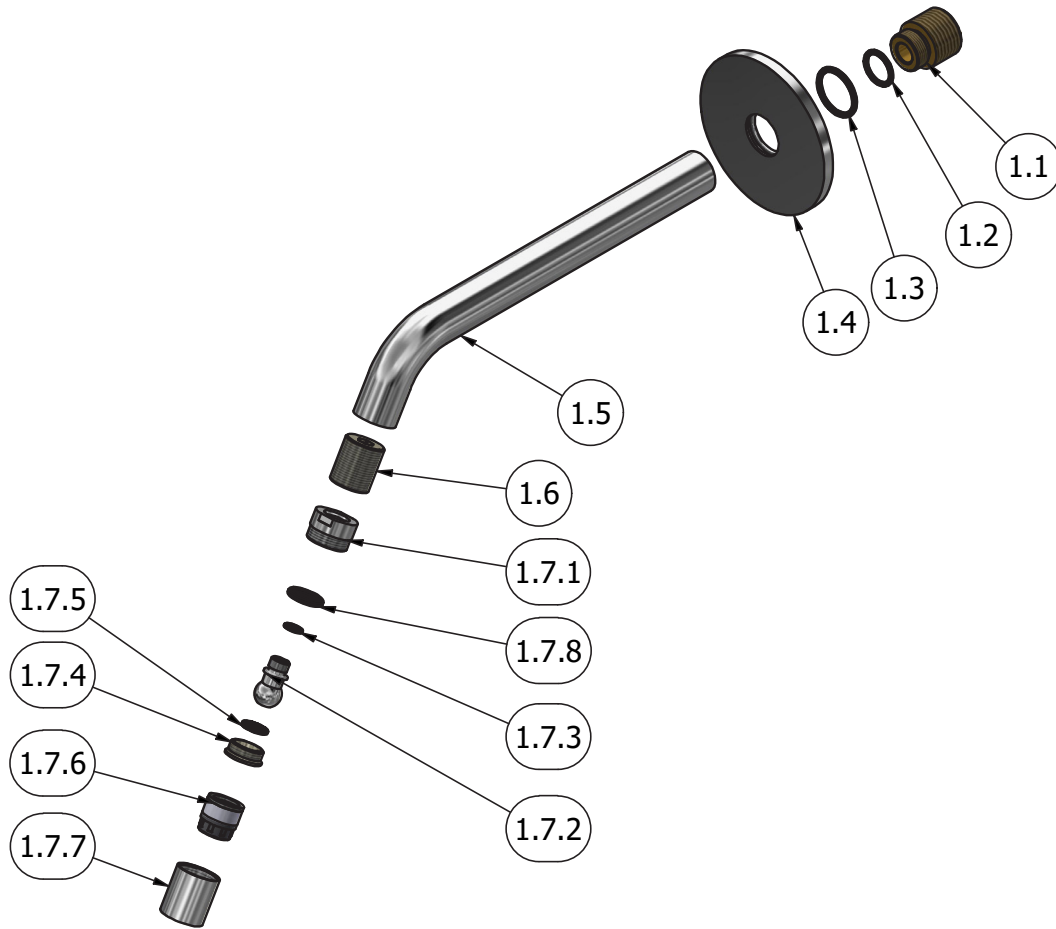
Main body is a single hot stamped pieces

Material

**BRASS
According to CuZn42 (CW510L)
Max Lead content: 0.2%**



WE ARE IB



Parts list				
ITEMS	CODE	DESCRIPTION	FIN	QTÀ
1	CPRX317CC-23	Preassembled spout	F	1
1.1	AS0011681	Insert M16x1 G1/2" L23	G	1
1.2	AQ0004610	OR 12.42x1.78 NBR 70 SH	-	1
1.3	AQ0006997	OR 18x2 NBR 70 SH	-	1
1.4	AC0018064	Ring Ø70 Ø18.5 H5	F	1
1.5	AC0010815	Pout-out tube Ø18 M16x1 L183.5	F	1
1.6	AN0016654	Threaded connection M16.5x1 M8 H19	N	1
1.7	CP09704CCN-1	Bidet joint M8 Ø18	-	1
1.7.1	AC0009704	Articulated joint for bidet M17x1 M14x1 H12	F	1
1.7.2	AC0009672	Sphere for bidet articulated joint Ø11 M8 H19.5	F	1
1.7.3	AQ0009826	OR 5x1.5 NBR 70 SH	-	1
1.7.4	AN0009705	Fixing nut for bidet articulated joint Ø15.6 M14x1 H5.7	N	1
1.7.5	AQ0006645	OR 7.66x1.78 NBR 70 SH	-	1
1.7.6	AQ0009836	Perlator honeycomb with rubber (44.3030.0)	-	1
1.7.7	AC0009673	Perlator retainer Ø18 M17x1 H20	F	1
1.7.8	AQ0009254	OR 9x3 NBR 70 SH	-	1



WE ARE IB

WARRANTY

All IB Rubinetterie SpA products are warranted for 10 years from the date of purchase, for the following cases:

- Defects of casting, porosity and chrome plating.
- Operating defects caused by incorrect fabrication.

The warranty provides for repair or replacement of products with fabrication defects recognized by our technical office. There is no other type of compensation anche the merchandise must be returned FOB our warehouse. The warranty only cover surface defects (scartches, dings, etc.) on fitting that have not been installed and used, returned in its original packaging with all components. O-ring, gasket seals and components subject to wear proportional to use are warranted for 2 years.

The warranty is void in the following cases:

Error installing and putting the product into service.

Deterioration of finished surfaces due to use of cleaning products containing acids or abrasive substances.

Deterioration of surface with finishes other than chrome plating. Their durability is, in fact, dependent on the user's care and gentleness of use.

Deterioration of the fitting due incorrect installation.

Improper repairs and maintenance performed without the company's prior authorization.

The warranty from IB Rubinetterie SpA is not renewable.

Cleaning

We recommanded cleaning the finish surfaces with water and soap, using a soft cloth.

Do not use detergents that cointain hydrochloric acid or abrasive substances.