



IB RUBINETTI

Collection

TWITTER

Article

TW202

Description

Tall monohole washbasin mixer



Box Dimensions

225 x 95 x 70 mm

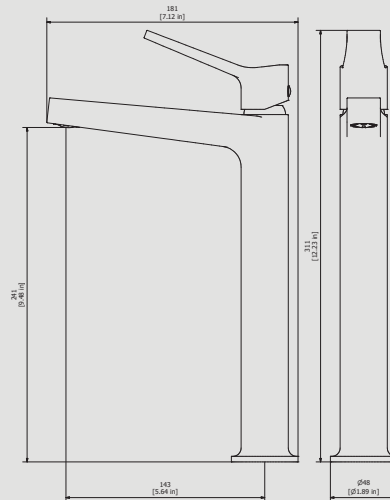
Weight

2.2 kg

Finishes

- CC**
CHROME
- CF**
BLACK CHROME
- OO**
GOLD
- MB**
MODERN BRONZE
- SS**
BRUSHED NICKEL
- CS**
BRUSHED BLACK CHROME
- BO**
MATT WHITE
- NP**
MATT BLACK
- IS**
BRUSHED PALE GOLD
- OS**
BRUSHED GOLD
- II**
PALE GOLD
- RR**
ANTIQUÉ COPPER
- ORS**
ROSE GOLD
- ON**
NATURAL BRASS
- SR**
BRUSHED ROSE GOLD
- PL**
PLATINUM

Dimensions



Cartridge

Ø25 ceramic cartridge

Hoses

Inox hoses G3\8" female 550 mms long

Aerator

M18.5x1

Flow Rate (+/-10%)

1 BAR	2 BAR	3 BAR
5.5 l/min	7.5 l/min	9.5 l/min

Production

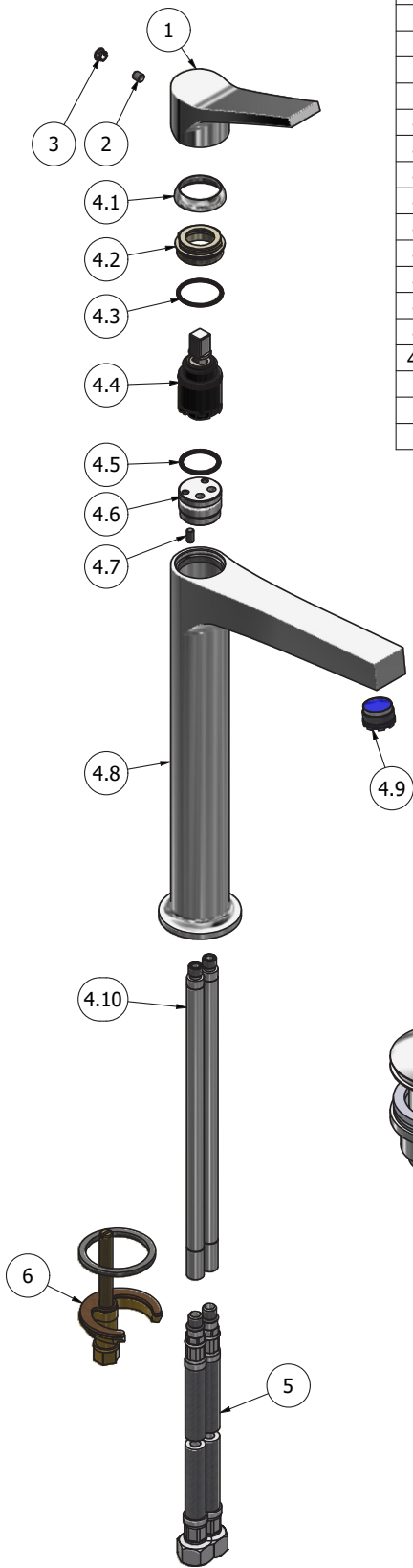
Main body is a single casted pieces

Material

BRASS
According to CuZn35Pb2Al-B (CB752S)
Max Lead content: 1.36%



IB RUBINETTI



Parts list			
ELEM.	CODE	DESCRIPTION	QTÀ
1	AQ0013634	Handle Ø34 H32	1
2	AQ0001100	Grubscrew M5x5 flat point	1
3	AQ0006650	Plug cover Ø7	1
4	CPTW202CC-22	Preassembled high basin mixer	1
4.1	AC0013065	Cartridge fixing nut chrome cover M27x1 Ø H6.6	1
4.2	AN0012952	Nut for cartridge M27x1 H10.8	1
4.3	AQ0009815	OR 23.52x1.78 NBR 70 SH	1
4.4	AQ0016764	Cartridge Ø25 open 9x9 (KH25OPS A4US)	1
4.5	AQ0013635	OR 20x2 NBR 70 SH	1
4.6	AN0011859	Connection piece Ø24.9X17.5	1
4.7	AQ0006921	Grubscrew M4x8 flat point	1
4.8	AQ0016720	Tall basin body Ø34 H250	1
4.9	AQ0015692	Cachè perlator M18,5 x 1 coin slot 1 GPM	1
4.10	AC0011602	Extension pipe Ø10 M8x1 M M8x1 F L220	2
5	AQ0012229	Flex inox M8x1 G3/8" short L550	2
6	AQ0015675	Fixing set	1
7	AQ0009837	Simple rapid waste 1"1/4	1



WARRANTY

All IB Rubinetterie SpA products are warranted for 10 years from the date of purchase, for the following cases:

- Defects of casting, porosity and chrome plating.
- Operating defects caused by incorrect fabrication.

The warranty provides for repair or replacement of products with fabrication defects recognized by our technical office. There is no other type of compensation anche the merchandise must be returned FOB our warehouse. The warranty only cover surface defects (scartches, dings, etc.) on fitting that have not been installed and used, returned in its original packaging with all components. O-ring, gasket seals and components subject to wear proportional to use are warranted for 2 years.

The warranty is void in the following cases:

Error installing and putting the product into service.

Deterioration of finished surfaces due to use of cleaning products containing acids or abrasive substances.

Deterioration of surface with finishes other than chrome plating. Their durability is, in fact, dependent on the user's care and gentleness of use.

Deterioration of the fitting due incorrect installation.

Improper repairs and maintenance performed without the company's prior authorization.

The warranty from IB Rubinetterie SpA is not renewable.

Cleaning

We recommanded cleaning the finish surfaces with water and soap, using a soft cloth.

Do not use detergents that cointain hydrochloric acid or abrasive substances.