

Collection

WHYNOT?

Article

WN314

Description

Exposed parts for manual wall mixer with three ways

Built-in body to be purchased separately INC314

Box Dimensions

265 x 260 x 70 mm

Weight

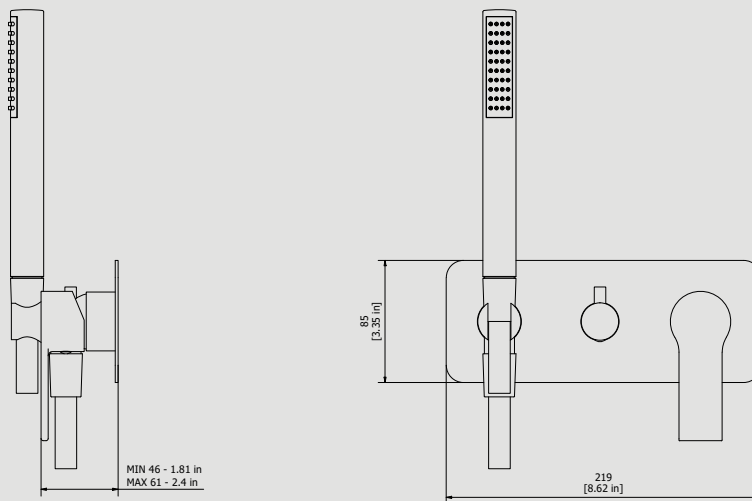
2.4 kg

Finishes

- CC**
CHROME
- CF**
BLACK CHROME
- OO**
GOLD
- BB**
ANTIQUÉ BRONZE
- SS**
BRUSHED NICKEL
- CS**
BRUSHED BLACK CHROME
- BO**
MATT WHITE
- NP**
MATT BLACK
- IS**
BRUSHED PALE GOLD
- OS**
BRUSHED GOLD
- II**
PALE GOLD
- RR**
ANTIQUÉ COPPER
- ORS**
ROSE GOLD
- ON**
NATURAL BRASS
- SR**
BRUSHED ROSE GOLD
- PL**
PLATINUM



Dimensions



Cartridge

Ø35 ceramic cartridge

Threaded fitting

-

Aerator

-

Flow Rate (+/-10%)

1 BAR
10 l/min

2 BAR
14.1 l/min

3 BAR
17.2 l/min

Production

Main body is a machined from a solid pieces

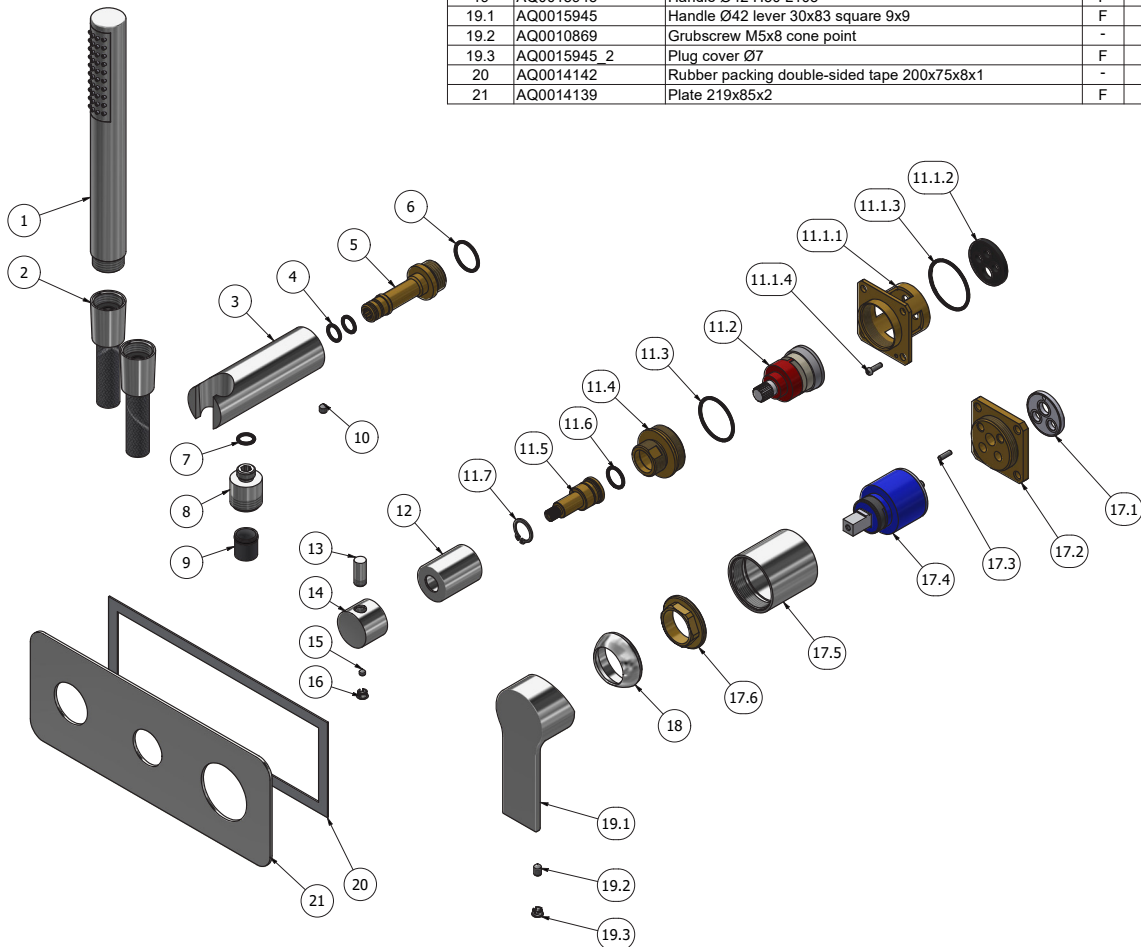
Material

BRASS
According to CuZn35Pb3 (CW614N)
Max Lead content: 2.5%



WE ARE IB

| Parts list | | | | |
|------------|---------------|---|-----|-----|
| ITEMS | CODE | DESCRIPTION | FIN | QTÀ |
| 1 | AQ0012085 | Hand shower stilo Ø23 H196 | F | 1 |
| 2 | AQ0018056 | Flex snapon G1/2" F L150cm Silver | F | 1 |
| 3 | AC0013053 | Hand shower's support Ø30 L94.8 | F | 1 |
| 4 | AQ0004180 | OR 9.25x1.78 NBR 70 SH | - | 2 |
| 5 | AS0018164 | Bayonet coupling G1/2" M H62.5 | G | 1 |
| 6 | AQ0004640 | OR 18.77x1.78 NBR 70 SH | - | 1 |
| 7 | AQ0001340 | OR 8.73x1.78 NBR 70 SH | - | 1 |
| 8 | AC0013052 | Reduction G1/2" M M12x1 M H20.5 | F | 1 |
| 9 | AQ0013247 | Flow reduction+CV Ø15 4L | - | 1 |
| 10 | AQ0014670 | Grubscrew M5x6 cone point | - | 1 |
| 11 | CPDEV3VXXXN_1 | Preassembled diverter three ways | - | 1 |
| 11.1 | CP13047XXN_1 | Preassembled diverter three ways | - | 1 |
| 11.1.1 | AS0013047 | Insert 47x47x32 | G | 1 |
| 11.1.2 | AQ0015686 | Rubber Ø32 H4 | - | 1 |
| 11.1.3 | AQ0008026 | OR 33.05x1.78 NBR 70 SH | - | 1 |
| 11.1.4 | AQ0012206 | Inox screw M3x10 | - | 1 |
| 11.2 | AQ0014857 | Diverter cartridge 3 outlets 180° | - | 1 |
| 11.3 | AQ0010597 | OR 28.3x1.78 NBR 70 SH | - | 1 |
| 11.4 | AS0013050 | Junction M32x1 M22x1 H23 | G | 1 |
| 11.5 | AS0013048 | Rod Ø17.9 H42.4 | G | 1 |
| 11.6 | AQ0004610 | OR 12.42x1.78 NBR 70 SH | - | 1 |
| 11.7 | AQ0015748 | Seeger ring Ø14 H1 | - | 1 |
| 12 | AC0013054 | Ring Ø26 M22x1 F H33 | F | 1 |
| 13 | AC0007092 | Handle knob M8 H19 | F | 1 |
| 14 | AC0011372 | Diverter's knob Ø26 H20 | F | 1 |
| 15 | AQ0001082 | Grubscrew M4x4 cone point | - | 1 |
| 16 | AQ0006650 | Plug cover Ø7 | F | 1 |
| 17 | CPIN206CC-19 | Mixer 47x47 x recessed | - | 1 |
| 17.1 | AQ0015684 | Gasket Ø31 H3.5 Ø7 Ø7.5 | - | 1 |
| 17.2 | AS0013040 | Insert 47x47 H11 M37x1.5 | G | 1 |
| 17.3 | AQ0015357 | Grubscrew M3x10 flat point | - | 1 |
| 17.4 | AQ0004095 | Ceramic cartridge Ø35 9x9 (K35A) | - | 1 |
| 17.5 | AC0010445 | Recessed ring Ø41 M37x1.5 H40.7 | F | 1 |
| 17.6 | AQ0001040 | Cartridge ring nut M37x1.5 H9 | G | 1 |
| 18 | AQ0012068 | Chromed cover nut Ø38.2 M37x1.5 | F | 1 |
| 19 | AQ0015945 | Handle Ø42 H30 L103 | F | 1 |
| 19.1 | AQ0015945 | Handle Ø42 lever 30x83 square 9x9 | F | 1 |
| 19.2 | AQ0010869 | Grubscrew M5x8 cone point | - | 1 |
| 19.3 | AQ0015945_2 | Plug cover Ø7 | F | 1 |
| 20 | AQ0014142 | Rubber packing double-sided tape 200x75x8x1 | - | 1 |
| 21 | AQ0014139 | Plate 219x85x2 | F | 1 |





WE ARE IB

WARRANTY

All IB Rubinetterie SpA products are warranted for 10 years from the date of purchase, for the following cases:

- Defects of casting, porosity and chrome plating.
- Operating defects caused by incorrect fabrication.

The warranty provides for repair or replacement of products with fabrication defects recognized by our technical office. There is no other type of compensation anche the merchandise must be returned FOB our warehouse. The warranty only cover surface defects (scartches, dings, etc.) on fitting that have not been installed and used, returned in its original packaging with all components. O-ring, gasket seals and components subject to wear proportional to use are warranted for 2 years.

The warranty is void in the following cases:

Error installing and putting the product into service.

Deterioration of finished surfaces due to use of cleaning products containing acids or abrasive substances.

Deterioration of surface with finishes other than chrome plating. Their durability is, in fact, dependent on the user's care and gentleness of use.

Deterioration of the fitting due incorrect installation.

Improper repairs and maintenance performed without the company's prior authorization.

The warranty from IB Rubinetterie SpA is not renewable.

Cleaning

We recommanded cleaning the finish surfaces with water and soap, using a soft cloth.

Do not use detergents that cointain hydrochloric acid or abrasive substances.