



WE ARE IB

Collection

WOW

Article

WO400

Description

Two holes wall mounted shower

Box Dimensions

340 x 180 x 70 mm

Weight

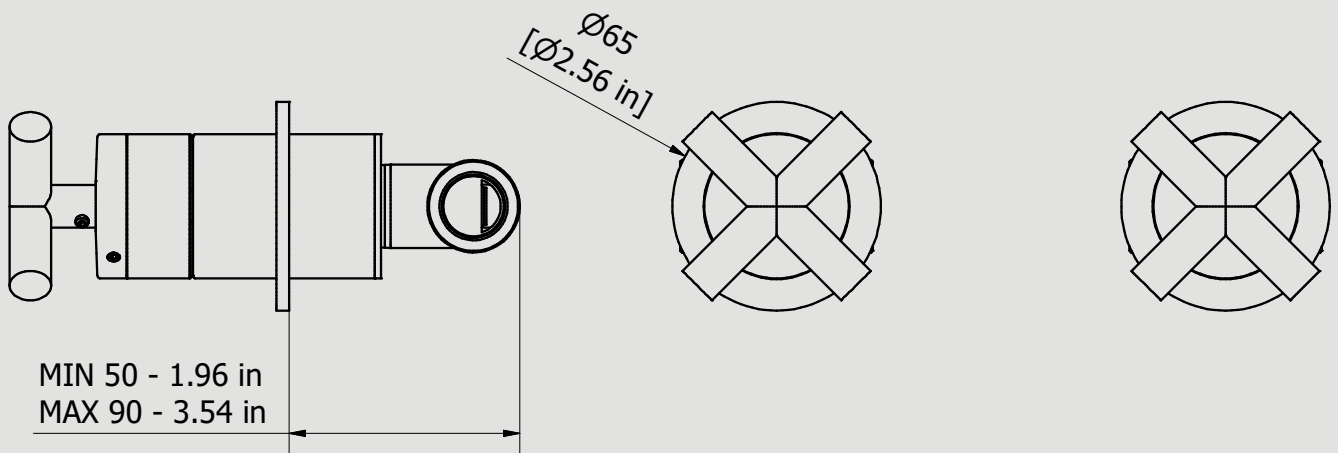
2.3 kg

Finishes

- **CC** CHROME
- **CF** BLACK CHROME
- **BG** GLOSSY WHITE
- **NG** GLOSSY BLACK
- **SS** BRUSHED NICKEL
- **CS** BRUSHED BLACK CHROME
- **BO** MATT WHITE
- **NP** MATT BLACK
- **OO** GOLD
- **MB** MODERN BRONZE
- **II** PALE GOLD
- **RR** ANTIQUE COPPER
- **ORS** ROSE GOLD
- **ON** NATURAL BRASS
- **IS** BRUSHED PALE GOLD
- **OS** BRUSHED GOLD
- **SR** BRUSHED ROSE GOLD
- **PL** PLATINUM



Dimensions



Cartridge

G1/2" ceramic cartridge

Treaded fitting

G1/2" female

Aerator

Flow Rate (+/-10%)

**1 BAR
28 l/min**

**2 BAR
40 l/min**

**3 BAR
49.3 l/min**

Production

Main body is a single casted pieces

Material

BRASS
According to CuZn35Pb2Al-B (CB752S)
Max Lead content: 1.36%

IB RUBINETTERIE s.p.a
via dei Pianotti 3/5
25068 Sarezzo (BS) - Italy -

T. +39 030 802101
F. +39 030 803097
info@weareib.it

P.IVA 01785230986
capitale sociale
€420.000,00 i.v.

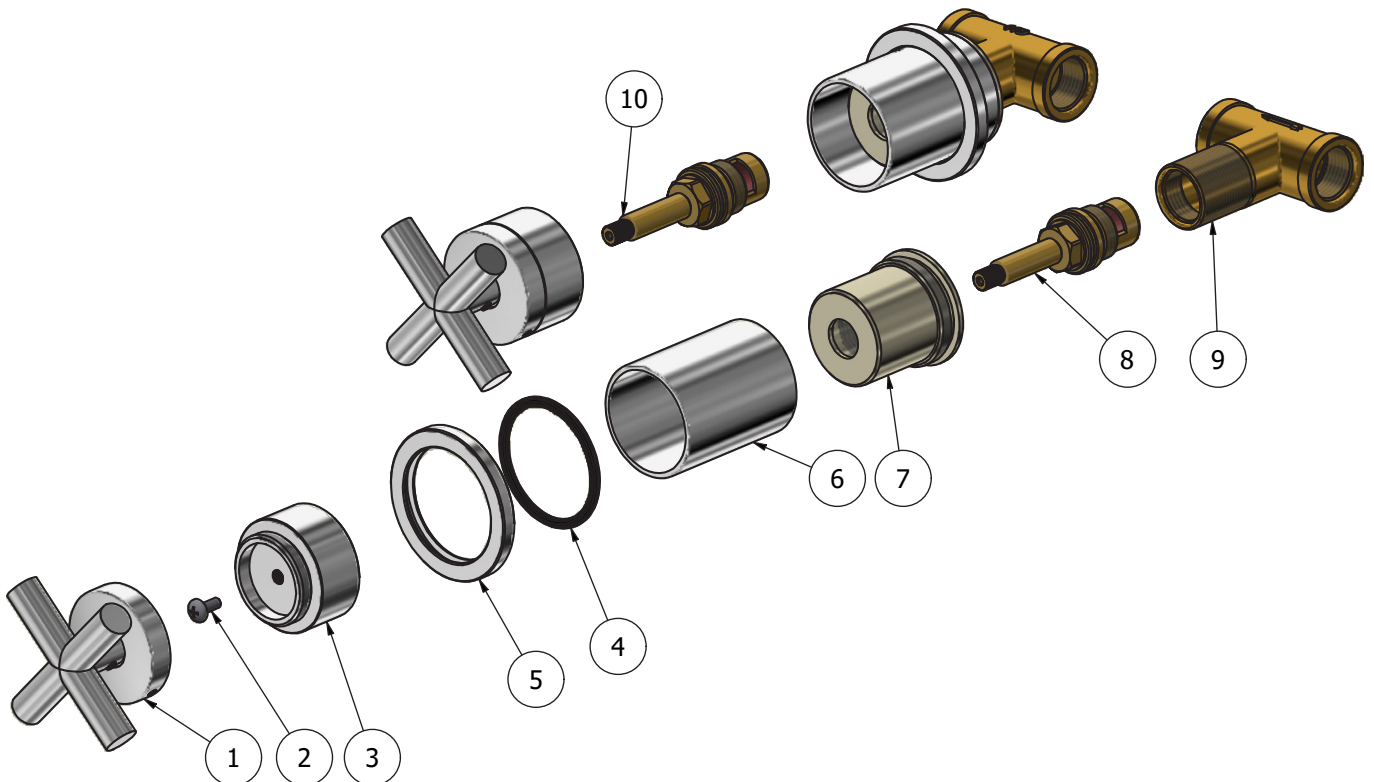
www.weareib.it





WE ARE IB

Parts list			
ELEM.	CODE	DESCRIPTION	QTÀ
1	CP10004CC-1	Preassembled cross handle	2
2	AQ0002160	Screw M4x10	2
3	AC0007042	Capacity handle body	2
4	AQ0009367	OR 44.45x3.53 NBR 70 SH	2
5	AC0009209	Sliding rosette Ø60x45x6	2
6	AC0011537	Flange for regulation tap Ø45 H56.7	2
7	AN0012288	Reduction 26x19 M42x1.5 H41	2
8	AQ0010529	Ceramic headwork 90° SX H38.5 8x20	1
9	CC0002005	Built-in stopcocks G1/2"	2
10	AQ0010528	Ceramic headwork 90° DX H38.5 8x20	1





WE ARE IB

WARRANTY

All IB Rubinetterie SpA products are warranted for 10 years from the date of purchase, for the following cases:

- Defects of casting, porosity and chrome plating.
- Operating defects caused by incorrect fabrication.

The warranty provides for repair or replacement of products with fabrication defects recognized by our technical office. There is no other type of compensation anche the merchandise must be returned FOB our warehouse. The warranty only cover surface defects (scatches, dings, etc.) on fitting that have not been installed and used, returned in its original packaging with all components. O-ring, gasket seals and components subject to wear proportional to use are warranted for 2 years.

The warranty is void in the following cases:

Error installing and putting the product into service.

Deterioration of finished surfaces due to use of cleaning products containing acids or abrasive substances. Deterioration of surface with finishes other than chrome plating. Their durability is, in fact, dependent on the user's care and gentleness of use.

Deterioration of the fitting due incorrect installation.

Improper repairs and maintenance performed without the company's prior authorization.

The warranty from IB Rubinetterie SpA is not renewable.

Cleaning

We recommended cleaning the finish surfaces with water and soap, using a soft cloth.

Do not use detergents that cointain hydrochloric acid or abrasive substances.